

avenlur

Nambar by Avenlur



Need Help?

CALL US AT 888.697.3931 / M-F 9AM - 5PM PT (12PM - -8PM ET)

OR EMAIL US AT INFO@AVENLUR.COM

WARNING

Adult assembly required.


WARNING

Maximum user weight: 110 lbs (50kg) per child.

WARNING

CHOKING HAZARD:

Adult assembly required. Keep small assembly parts out of reach of children.

 Use under adult supervision.

OBSERVE ALL STATEMENTS AND WARNINGS TO REDUCE THE LIKELIHOOD OF SERIOUS OR FATAL INJURY. SAVE THIS SHEET FOR FUTURE REFERENCE.

OPERATION INSTRUCTIONS

1. An adult should always supervise use of this product by children of all ages.
2. Instruct children not to attach items to the playground equipment that are not specifically designed for use with the equipment (examples: ropes, clothesline, pet leashes, cables and chain, etc) as they may cause a strangulation hazard or any other hazard.
3. Never allow children to use the equipment in a manner other than intended.

MAINTENANCE INSTRUCTIONS

1. Inspect the product periodically for loose or damaged components. **Tighten bolts if need.**
2. Check all connections and bolts for tightness at least twice monthly during the usage.
3. Check all coverings and bolts for sharp edges.

INSTALLATION INSTRUCTIONS

Please have an electrical drill available for assembly if possible.

If you have difficulty in installation, please contact us for help and get installation video for reference.

Please Ensure:

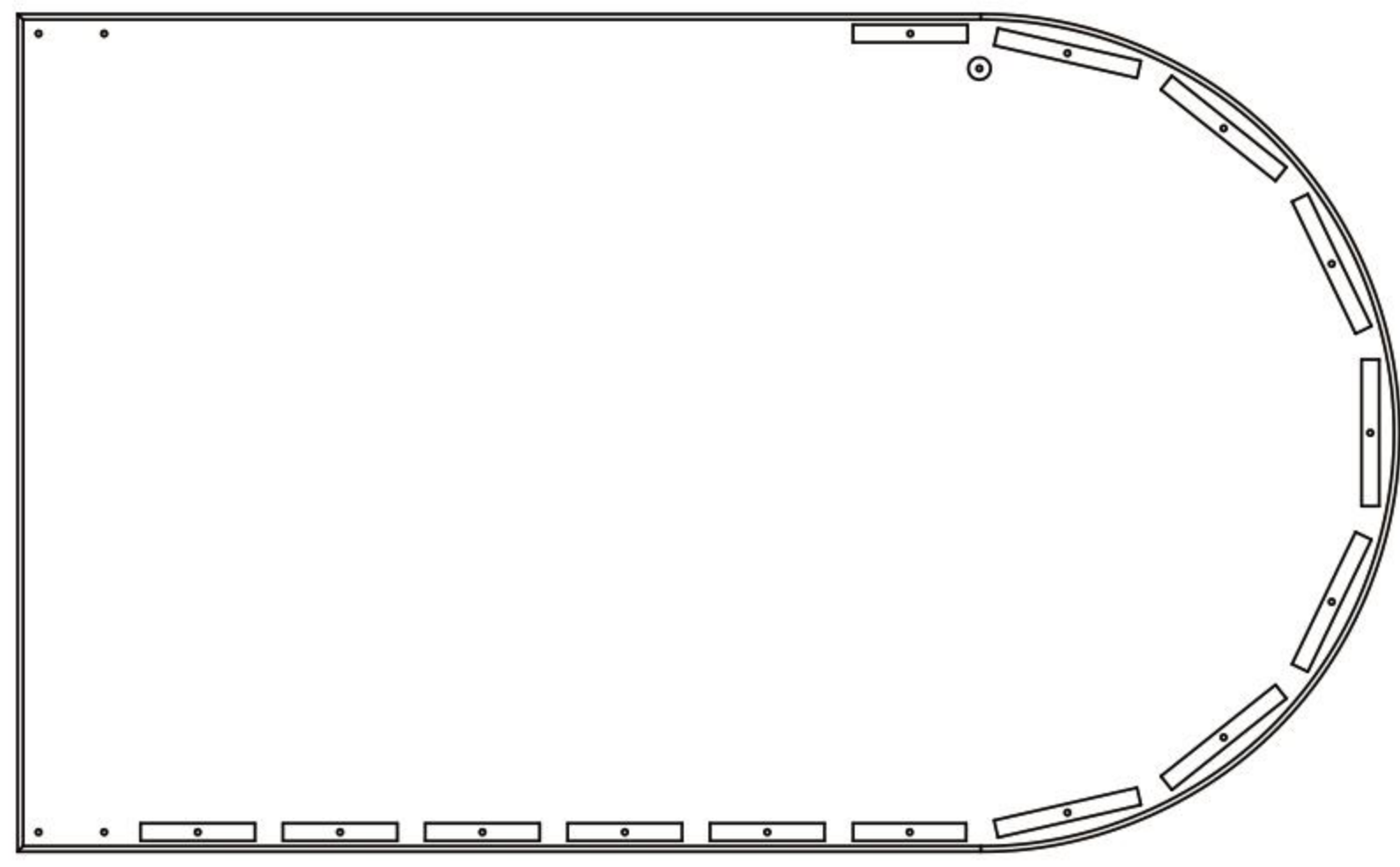
1. You are assembling with at least two people to ensure that all sides and parts are leveled.
2. You don't screw the parts in too hard or it will splinter the wood.
3. You follow the directions carefully.

CONTACT US BEFORE ASSEMBLY IF:

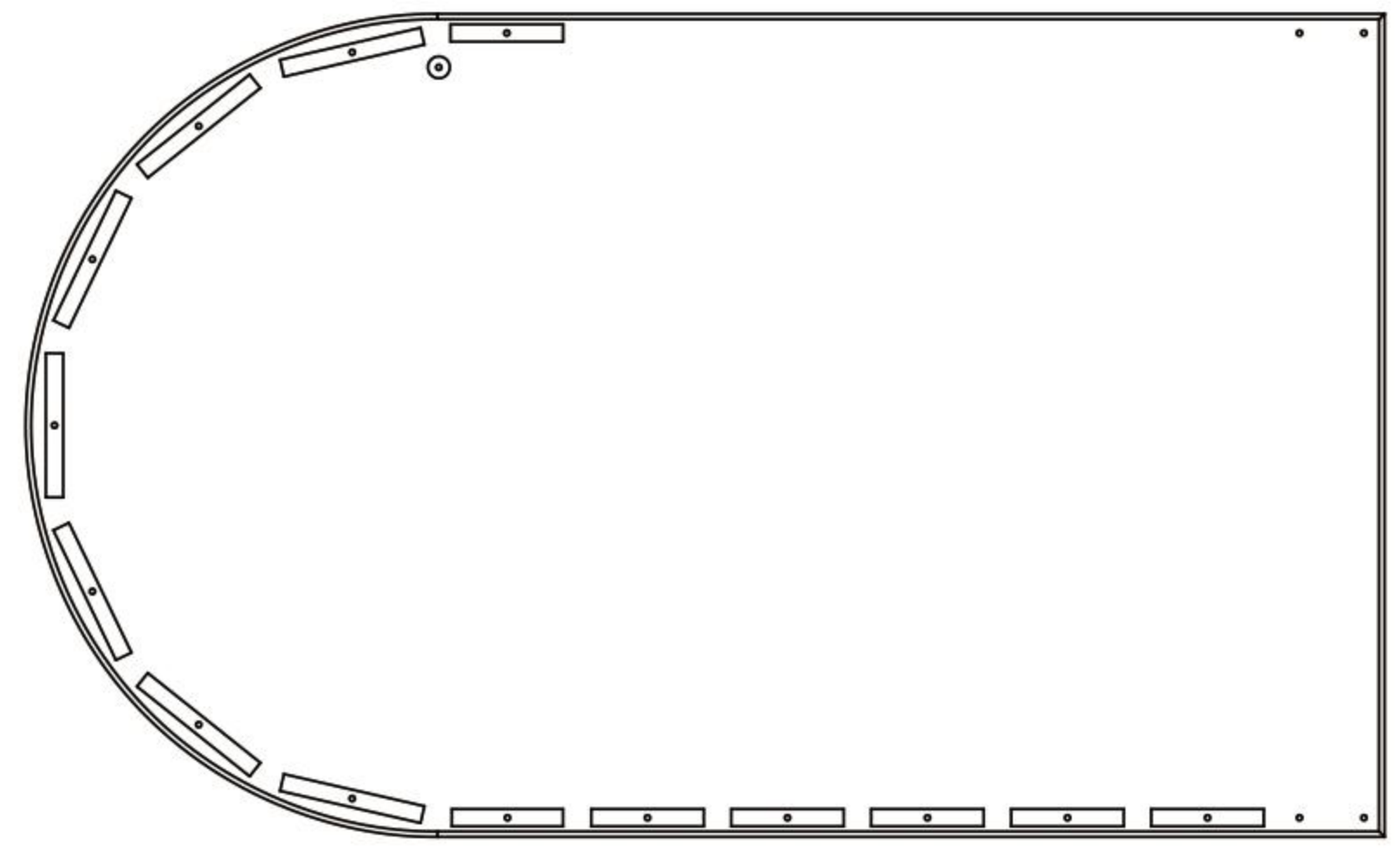
- You need assistance with assembly
- You need a replacement part due to a missing part or defective part

Call us at 888-697-3931 M-F 9AM-5PM PT

or email us at info@avenlur.com



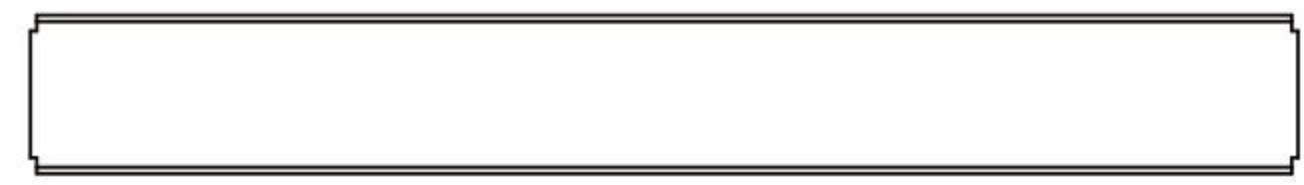
① ×1 39.0in



② ×1 39.0in



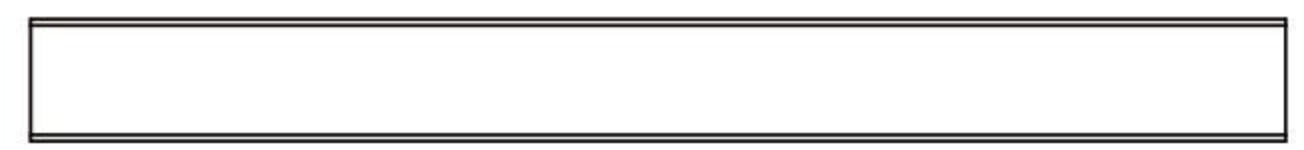
③ ×7 31.5in



④ ×6 31.5in



⑤ ×1 31.5in



0.47in

⑥ ×1 31.0in



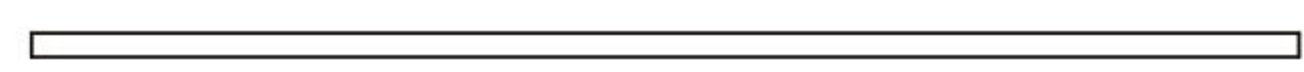
cloth

⑦ ×1 31.0in

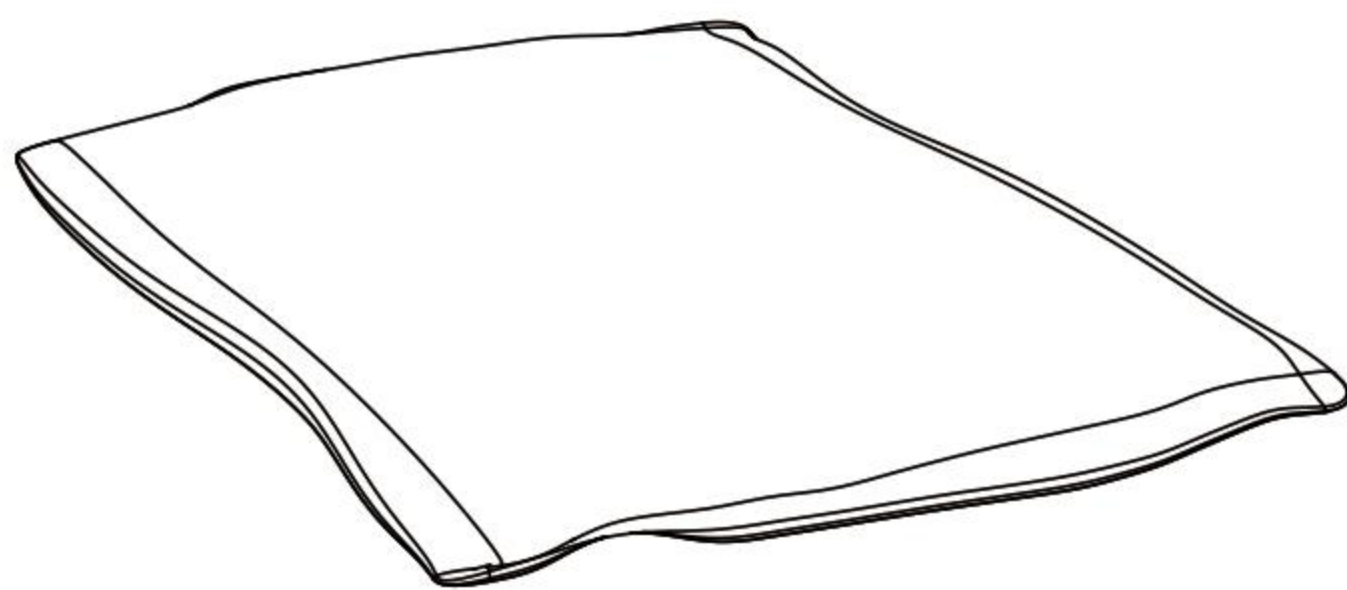


0.70in

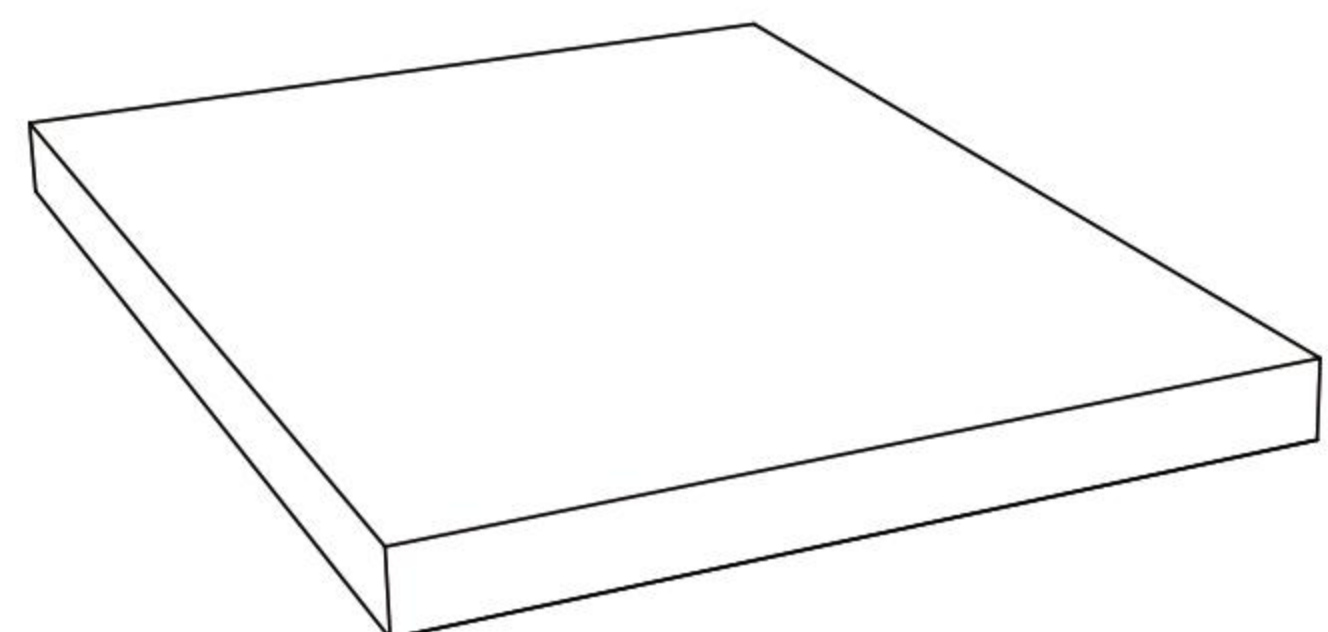
⑧ ×1 31.0in



⑨ ×1 31.5in



⑩ ×1 30.5in



⑪ ×1 30.5in



M4×40

Ⓐ ×38



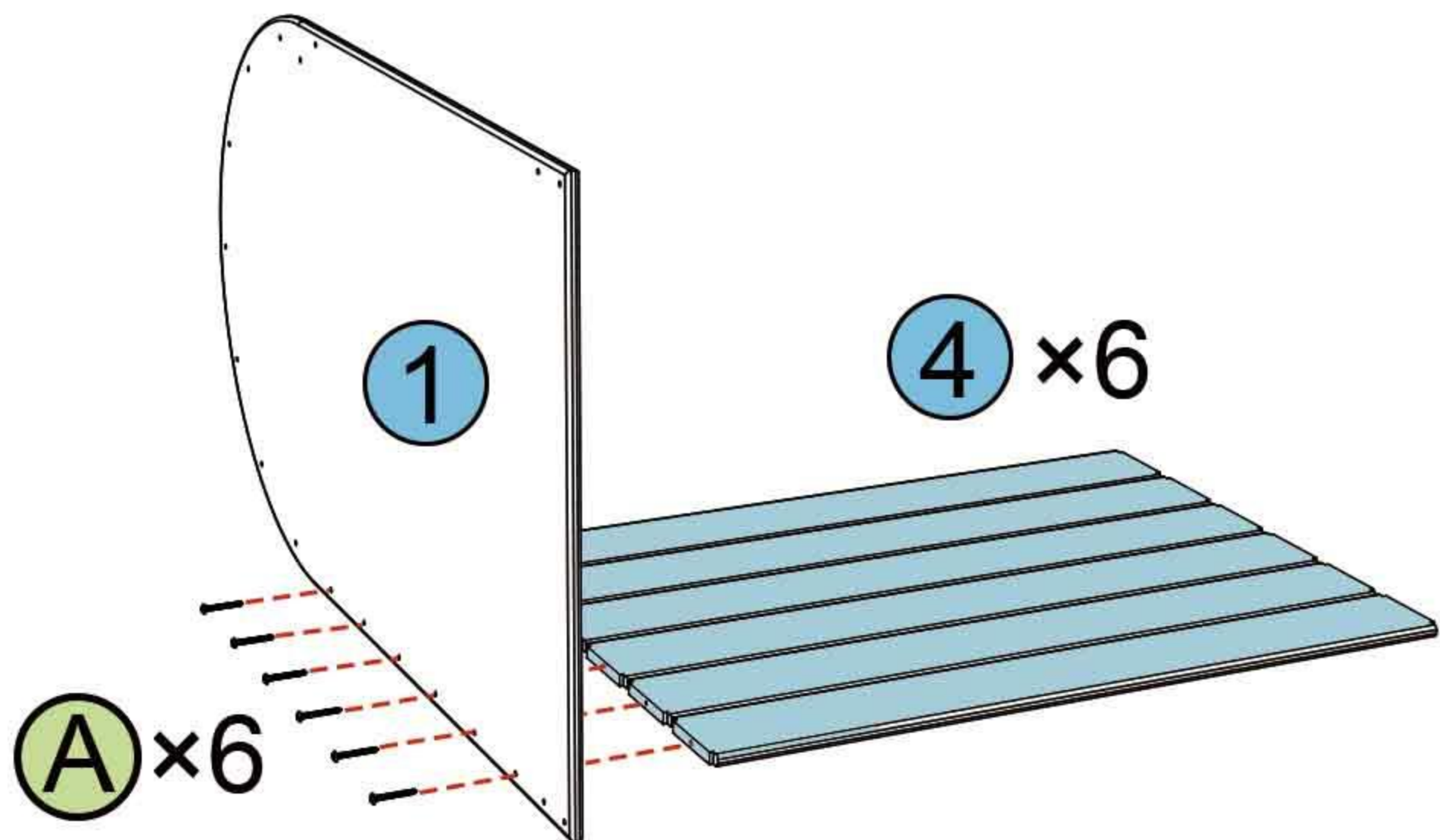
4mm

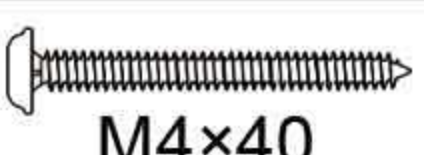

Ⓑ ×1

01-1

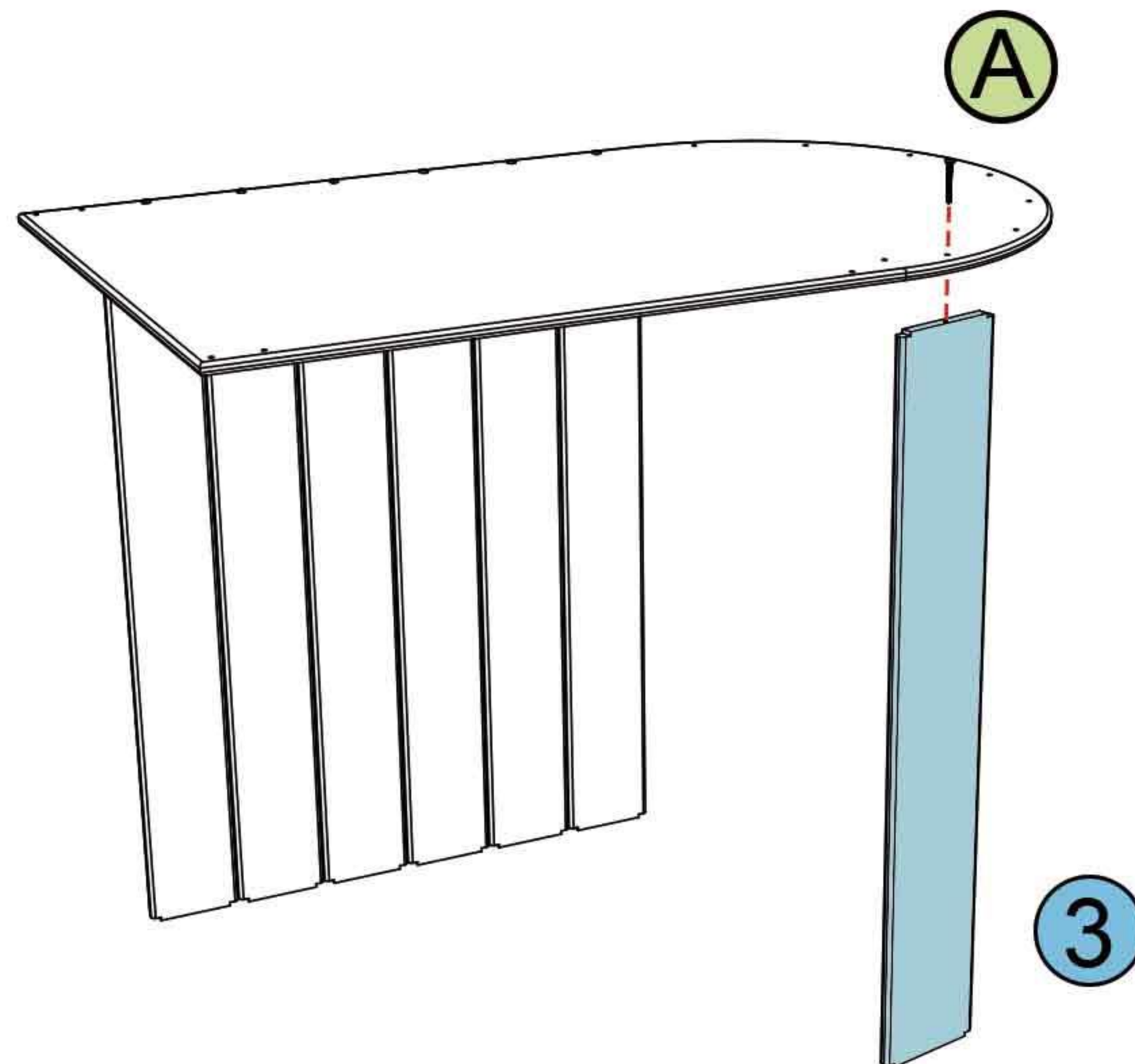
We recommend that the product be installed by two or more people.


When installing, make sure one person holds Part ①.



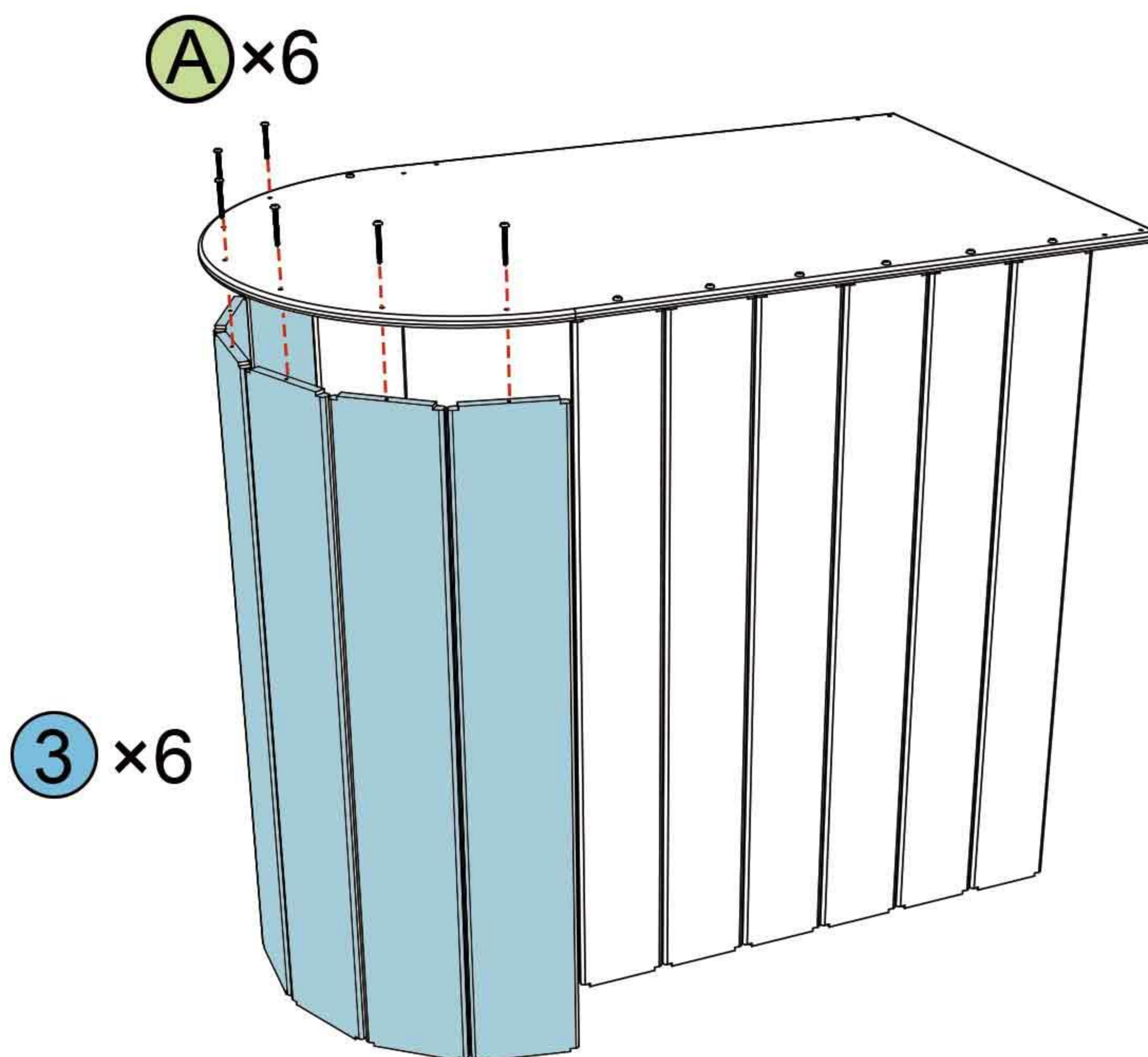
(A)	 M4x40	6
(B)	 4mm	1

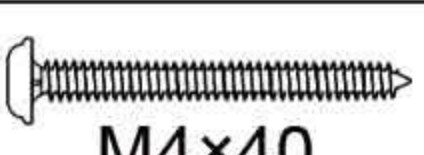
01-2



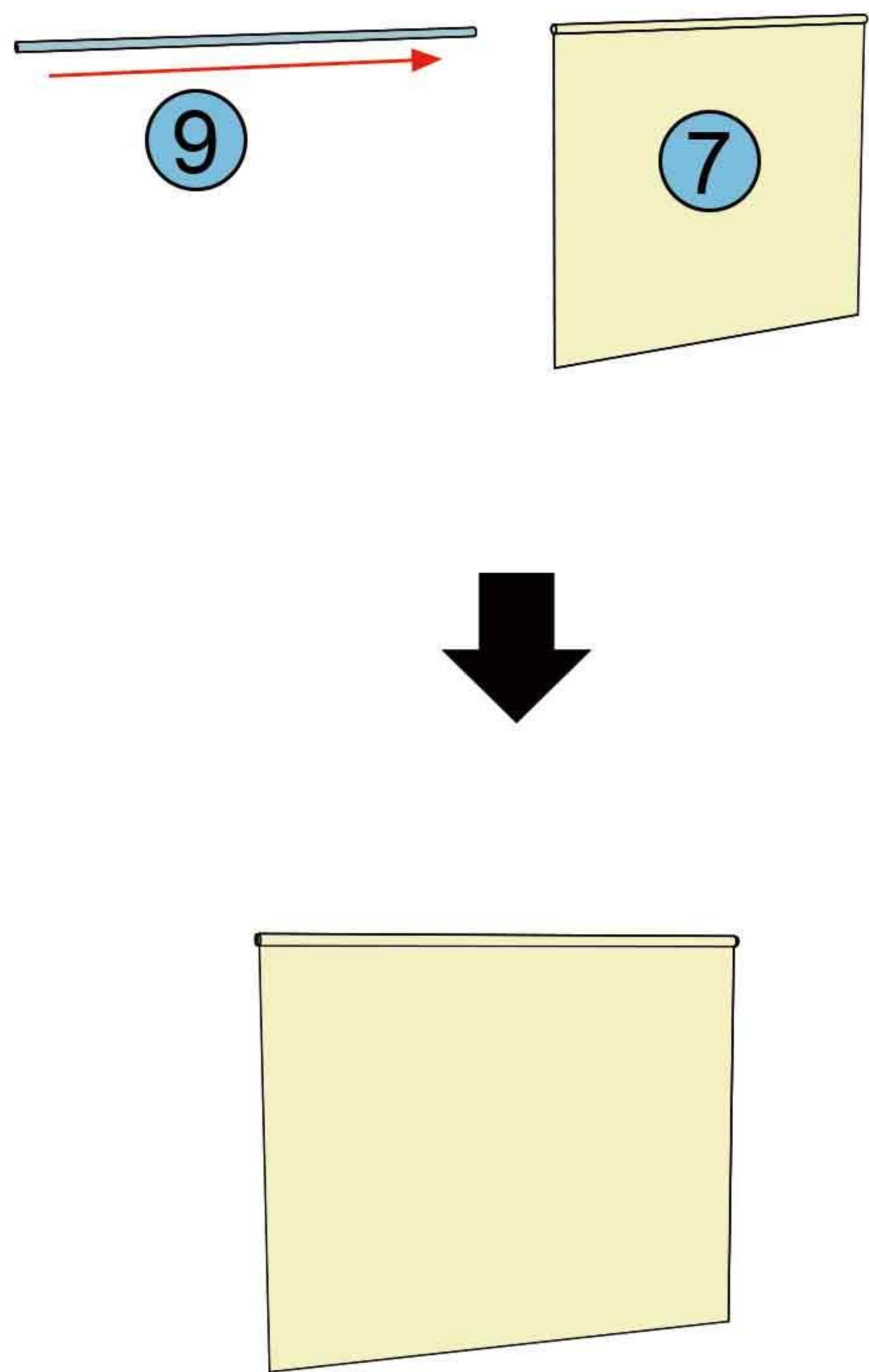
(A)	 M4x40	1
-----	---	---

01-3

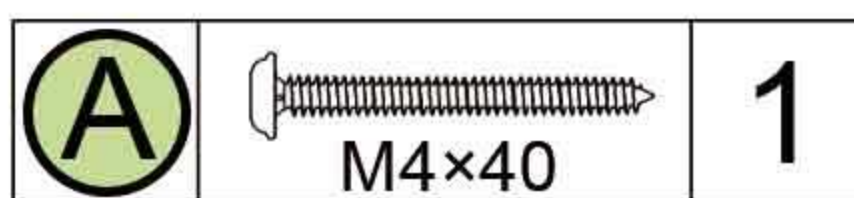
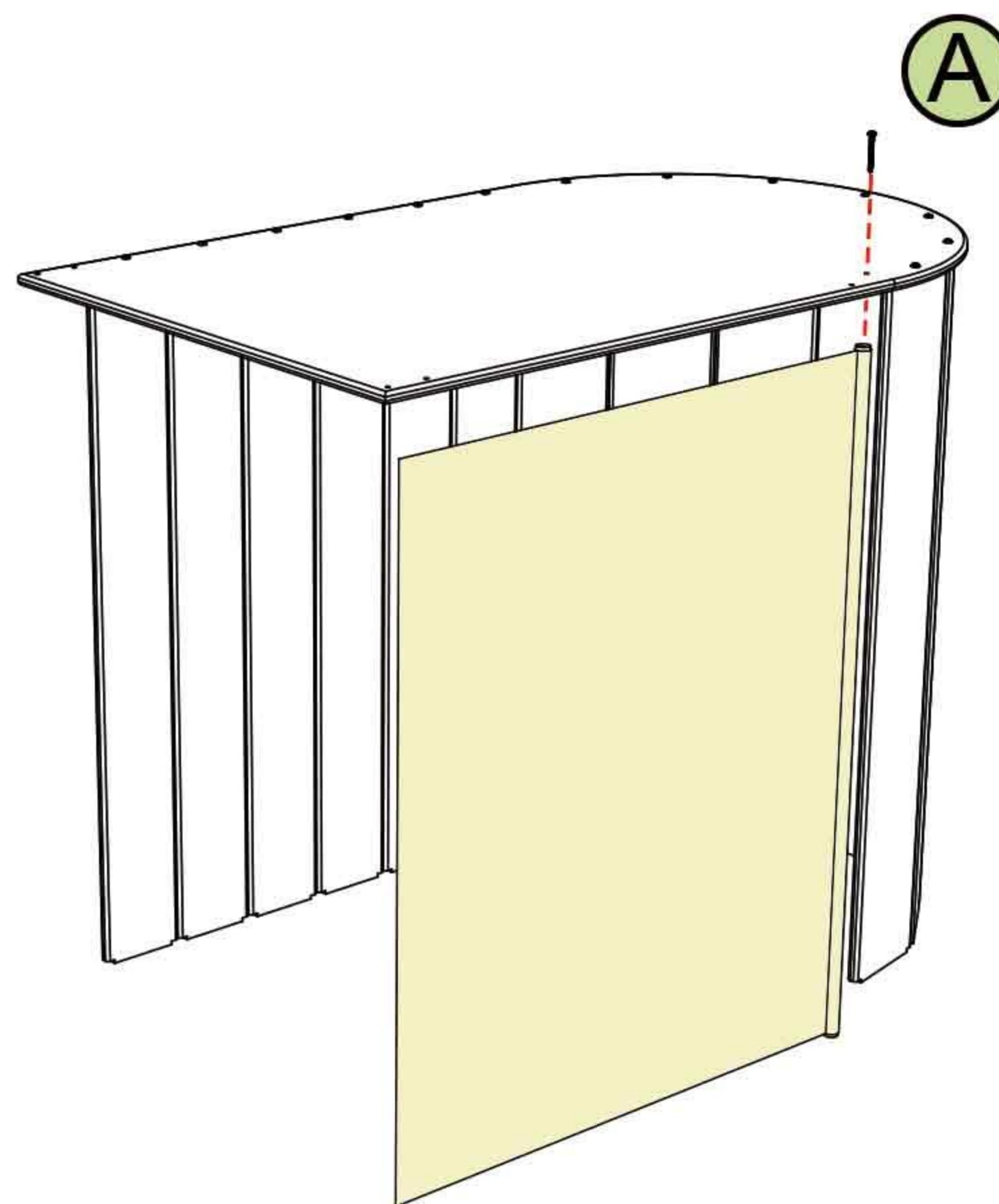


(A)	 M4x40	6
-----	---	---

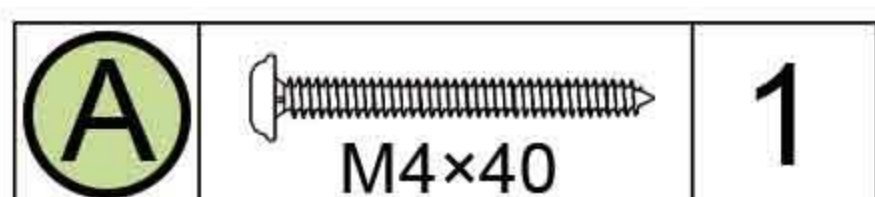
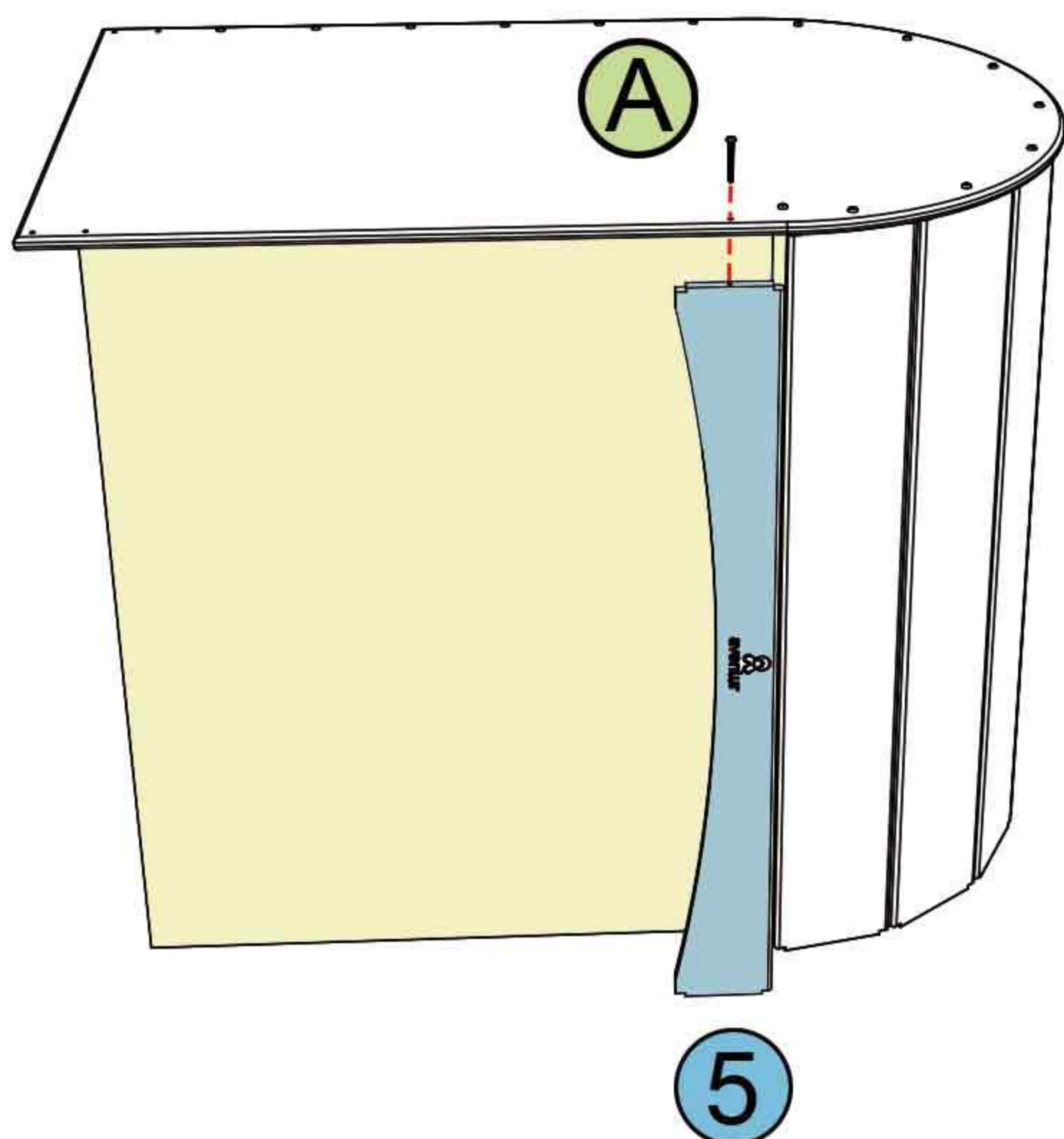
02-1



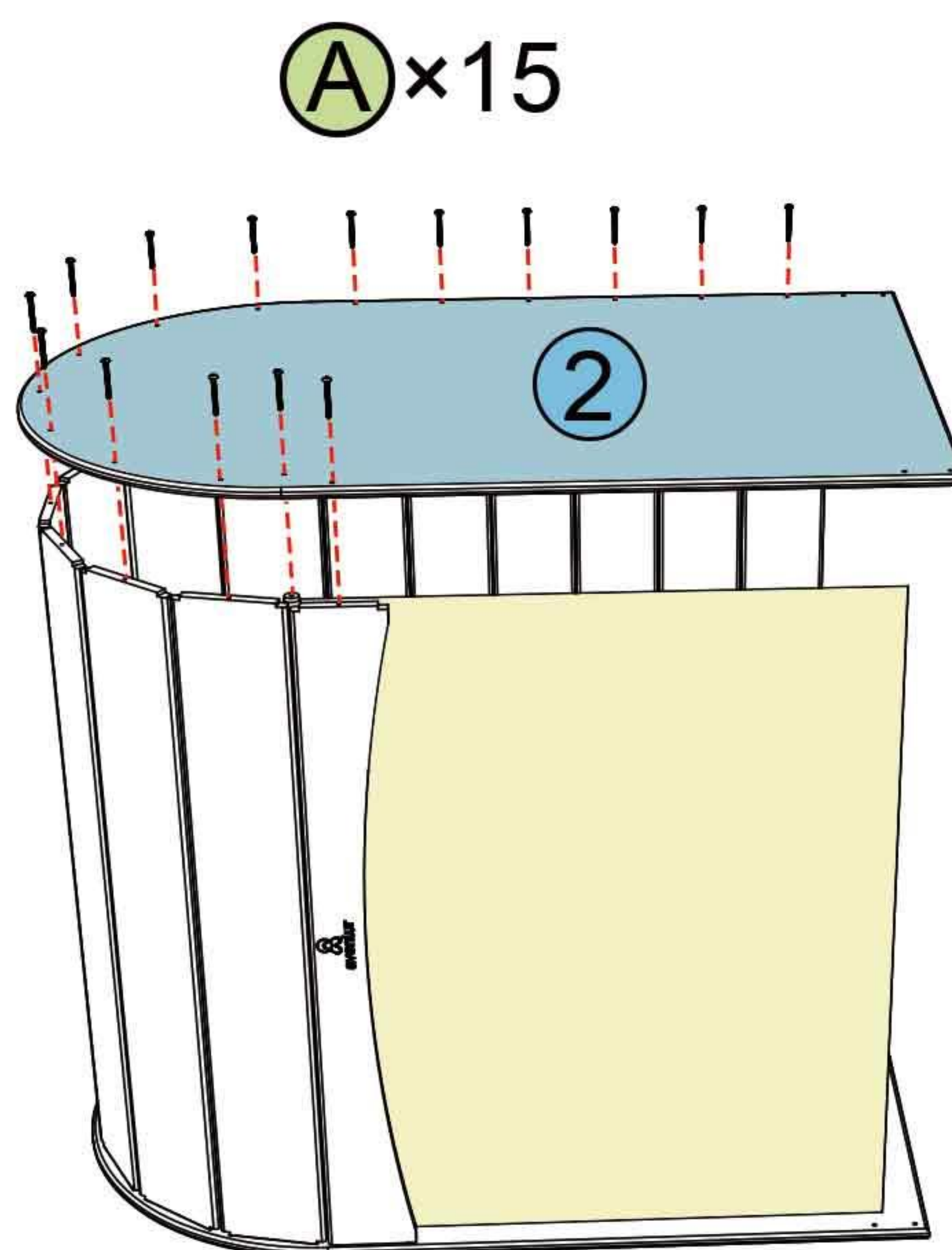
02-2



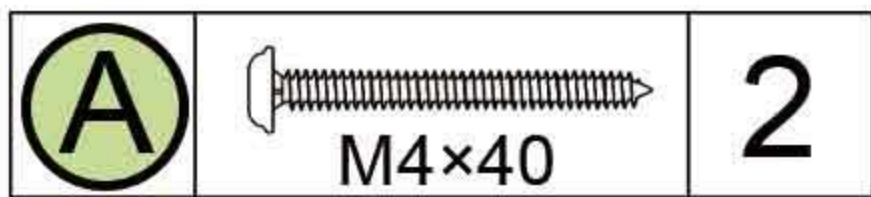
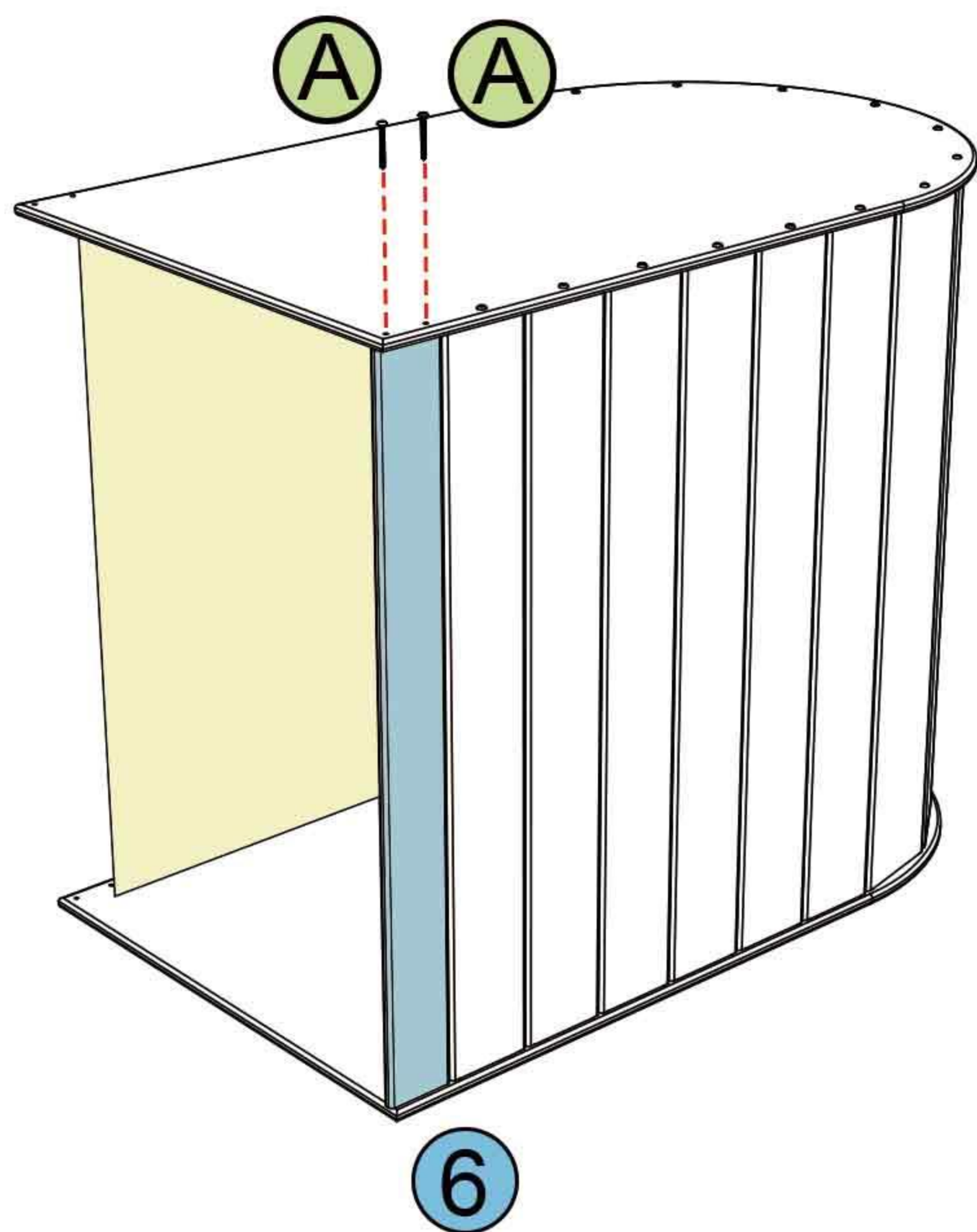
03-1



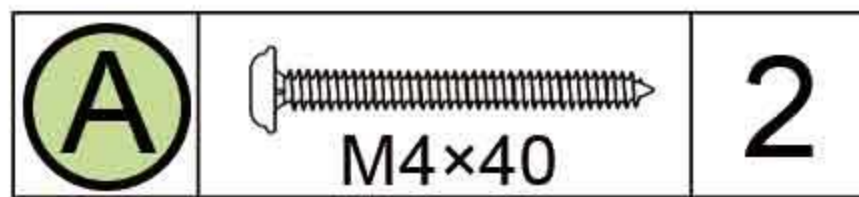
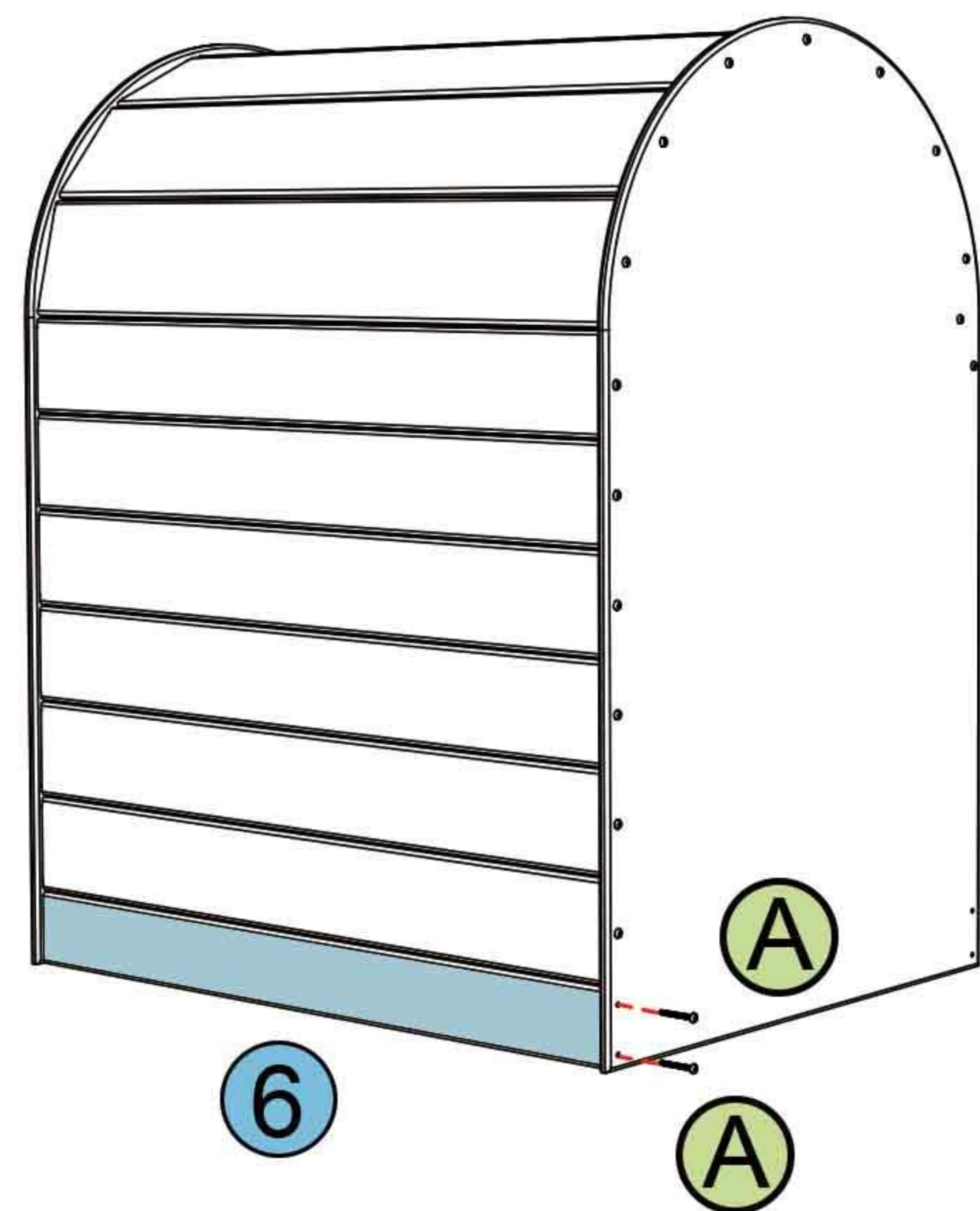
04-1



05-1

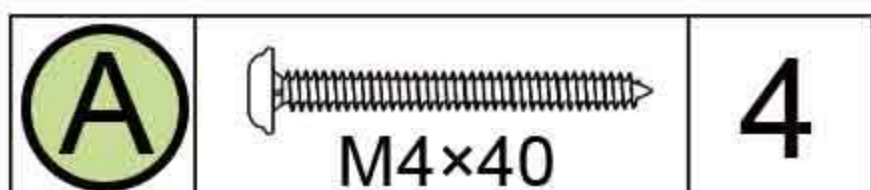
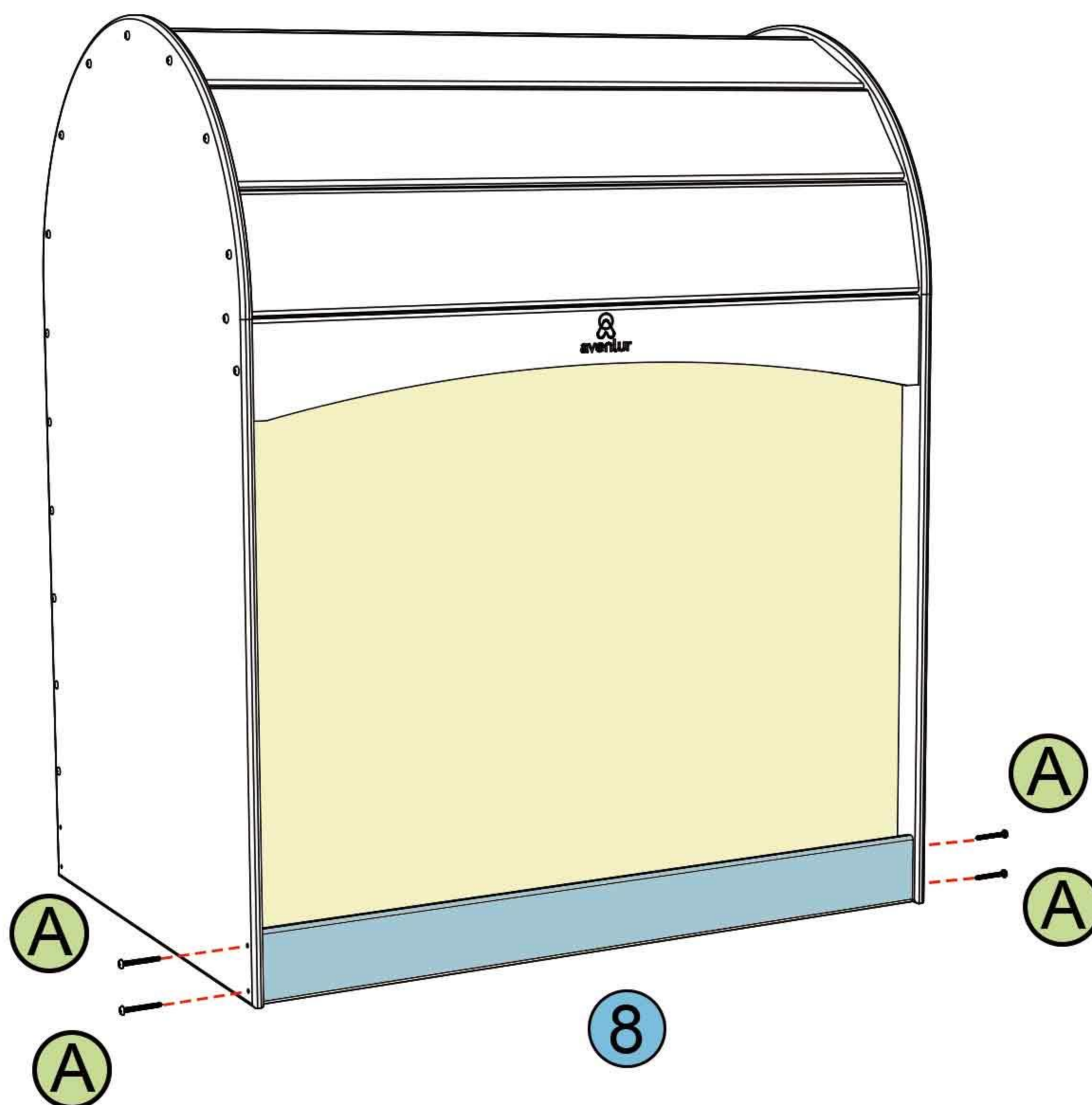


05-2

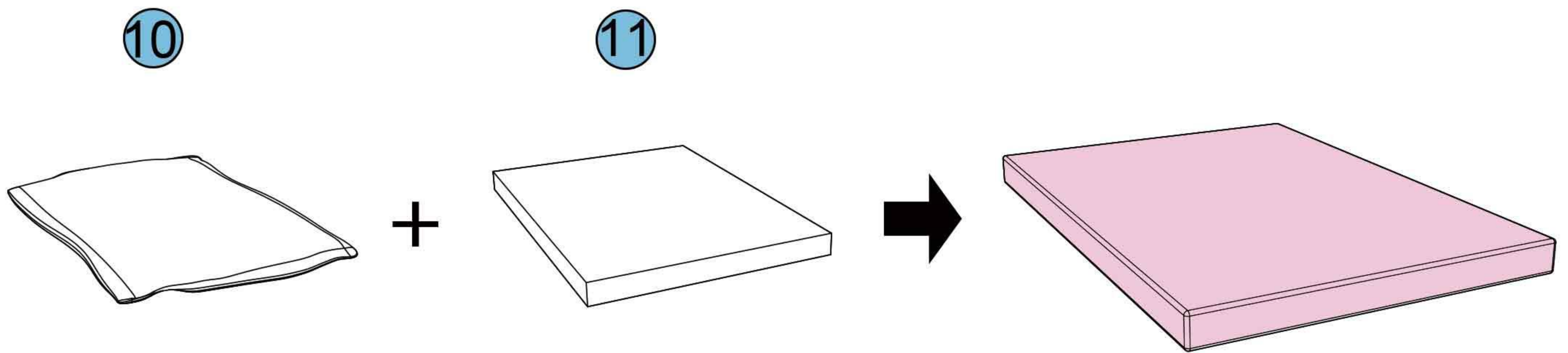


06-1

When installing, ensure that the holes are aligned.
When tightening the screws, screw on all the (A) screws, and then tighten them completely.



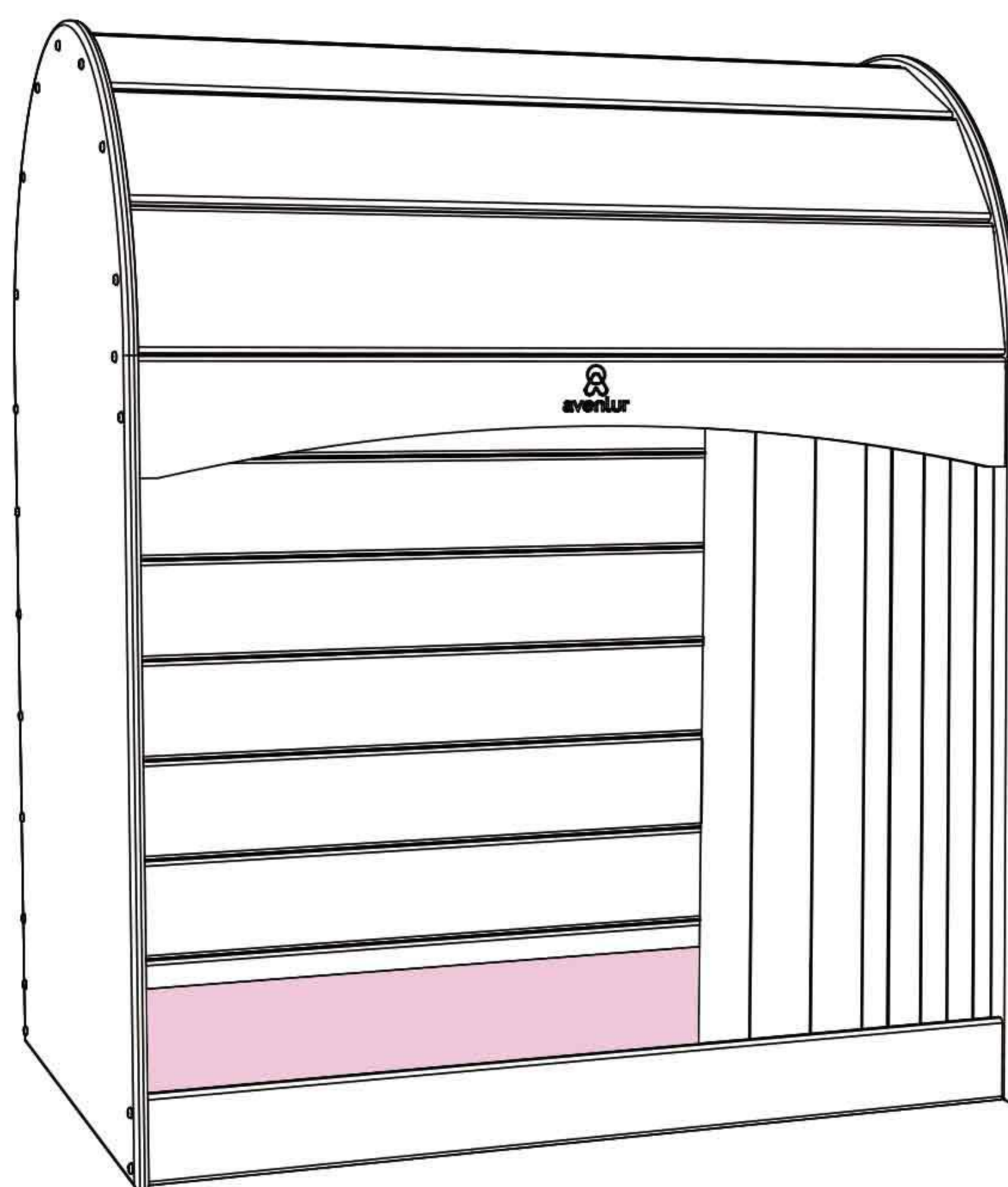
07-1



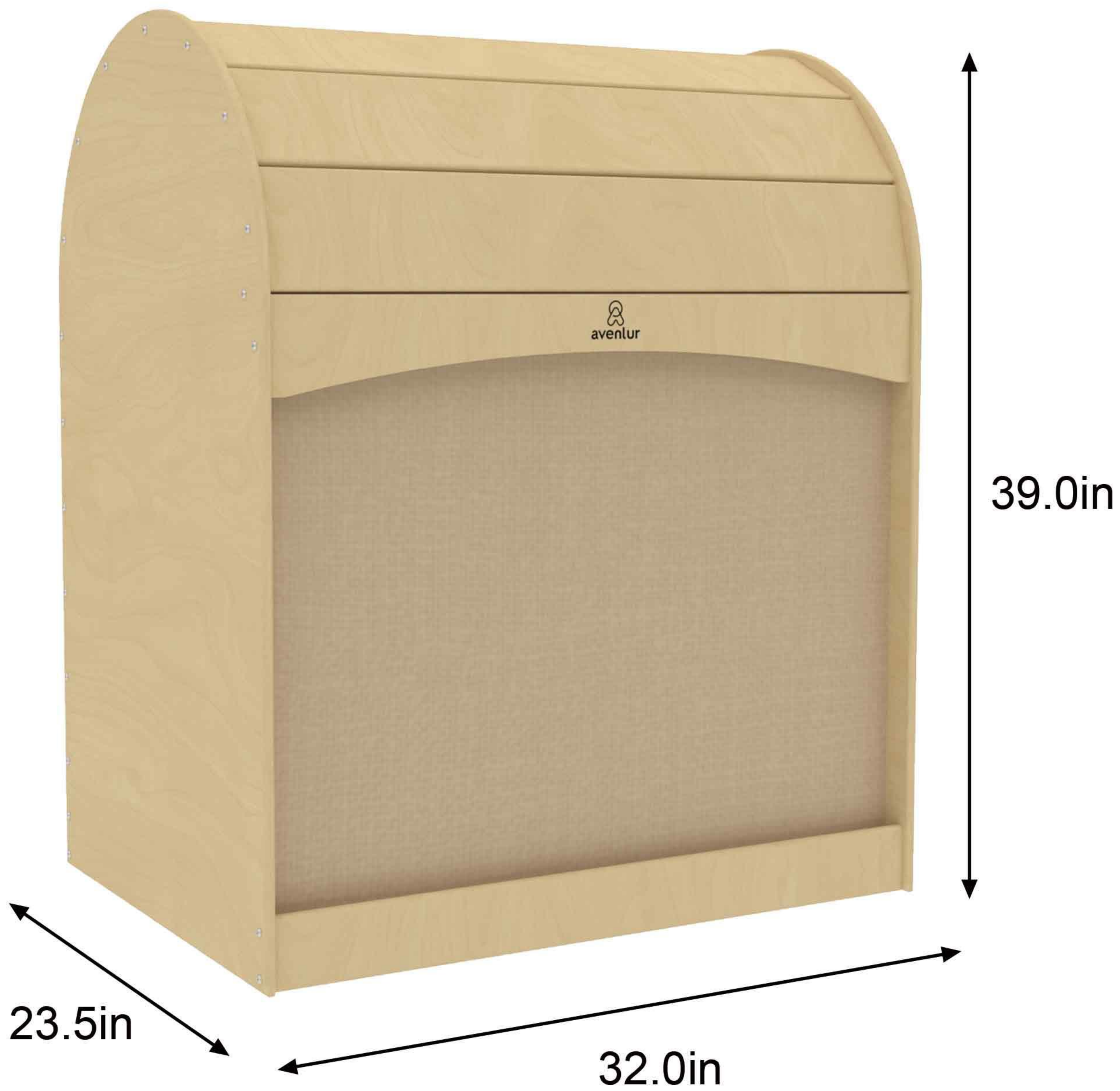
Put the sponge inside the cloth cover.

07-2

Open the curtain and place the assembled mat inside.



03-1



23.5in

32.0in

39.0in

aventur