

# avenlur

## Magnolia by Avenlur



Need Help?

CALL US AT 888.697.3931 / M-F 9AM - 5PM PT (12PM - 8PM ET)  
OR EMAIL US AT [INFO@AVENLUR.COM](mailto:INFO@AVENLUR.COM)

**For Video assembly,  
visit [www.avenlur.com/instructions](http://www.avenlur.com/instructions)  
or scan the QR code below**



**FOR ADDITIONAL ASSISTANCE  
PLEASE CALL US AT 888-697-3931  
M-F 9AM-5PM PT (12pm -8PM ET)  
OR EMAIL US AT  
[info@Avenlur.com](mailto:info@Avenlur.com)**

## **WARNING**

Adult assembly required.


## **WARNING**

Maximum user weight: 110 lbs (50kg) per child.

## **WARNING**

### **CHOKING HAZARD:**

Adult assembly required. Keep small assembly parts out of reach of children.

 Use under adult supervision.

**OBSERVE ALL STATEMENTS AND WARNINGS TO REDUCE THE LIKELIHOOD OF SERIOUS OR FATAL INJURY. SAVE THIS SHEET FOR FUTURE REFERENCE.**

## **OPERATION INSTRUCTIONS**

1. An adult should always supervise use of this product by children of all ages.
2. Maximum weight per user: 110lbs(50kg).
3. Instruct children not to attach items to the playground equipment that are not specifically designed for use with the equipment (examples: ropes, clothesline, pet leashes, cables and chain, etc) as they may cause a strangulation hazard or any other hazard.
4. Never allow children to use the equipment in a manner other than intended.

## **MAINTENANCE INSTRUCTIONS**

1. Inspect the product periodically for loose or damaged components. **Tighten bolts if need.**
2. Check all connections and bolts for tightness at least twice monthly during the usage.
3. Check all coverings and bolts for sharp edges.

## **INSTALLATION INSTRUCTIONS**

Please have an electrical drill available for assembly if possible.

If you have difficulty in installation, please contact us for help and get installation video for reference.

### **Please Ensure:**

1. You are assembling with at least two people to ensure that all sides and parts are leveled.
2. You don't screw the parts in too hard or it will splinter the wood.
3. You follow the directions carefully.

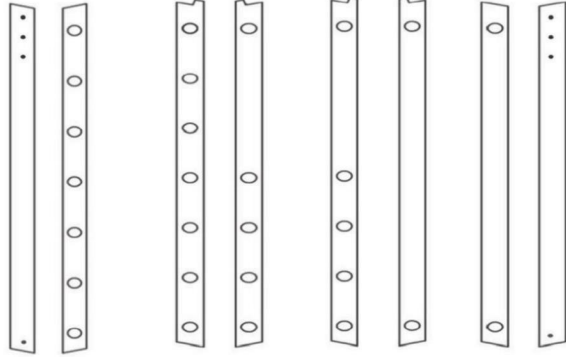
## **CONTACT US BEFORE ASSEMBLY**

If you have assembly questions or if you need parts  
whether they are missing or damaged

Call us at 888-697-3931 or email us at

[info@Avenlur.com](mailto:info@Avenlur.com)

① x2    ② x1    ③ x1    ④ x1

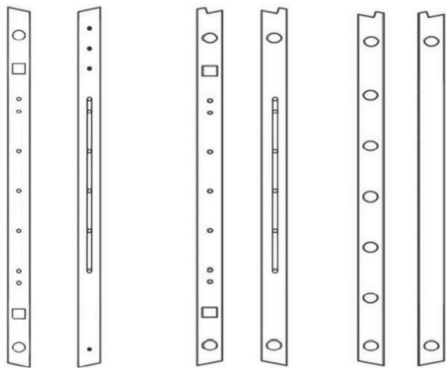


L: 758 mm    ⑤ x3

L: 380 mm    ⑥ x7

L: 1138 mm    ⑦ x4

⑧ x1    ⑨ x1    ⑩ x1

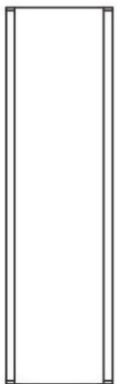


⑪ x2

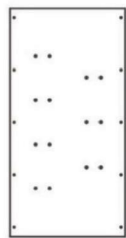
⑫ x2

L: 396 mm    ⑬ x9

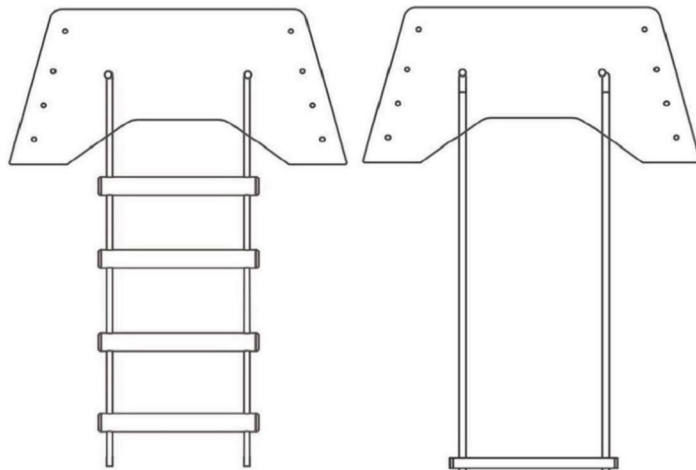
⑮ x2



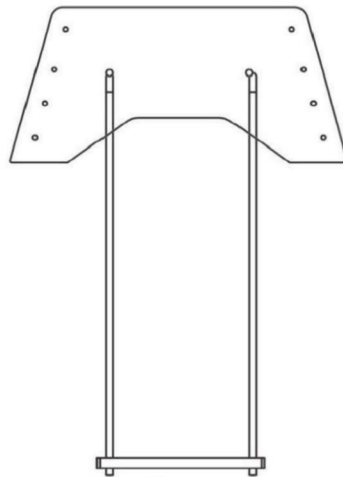
⑭ x1



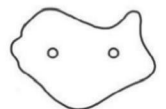
⑯ x1



⑰ x1



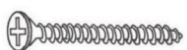
⑱ x1



⑲ x7



⑳ x 2  
L: 3000 mm



L30  
A x 61



M8x35  
B x 16



M10x35  
C x 14



8mm  
E x 1



L40  
A1 x 12



M8x40  
B1 x 4



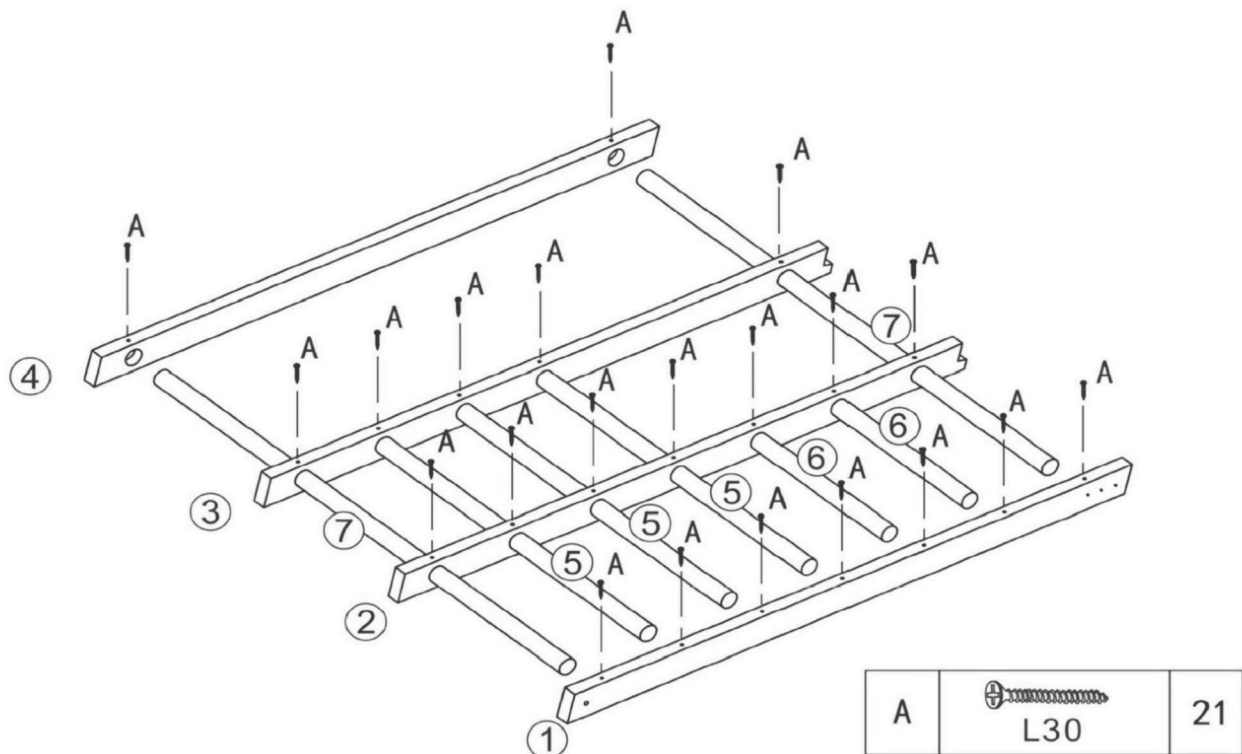
5mm  
D x 1



F x 1

## Section A

Tip: Align all the parts as shown in the illustration before drilling



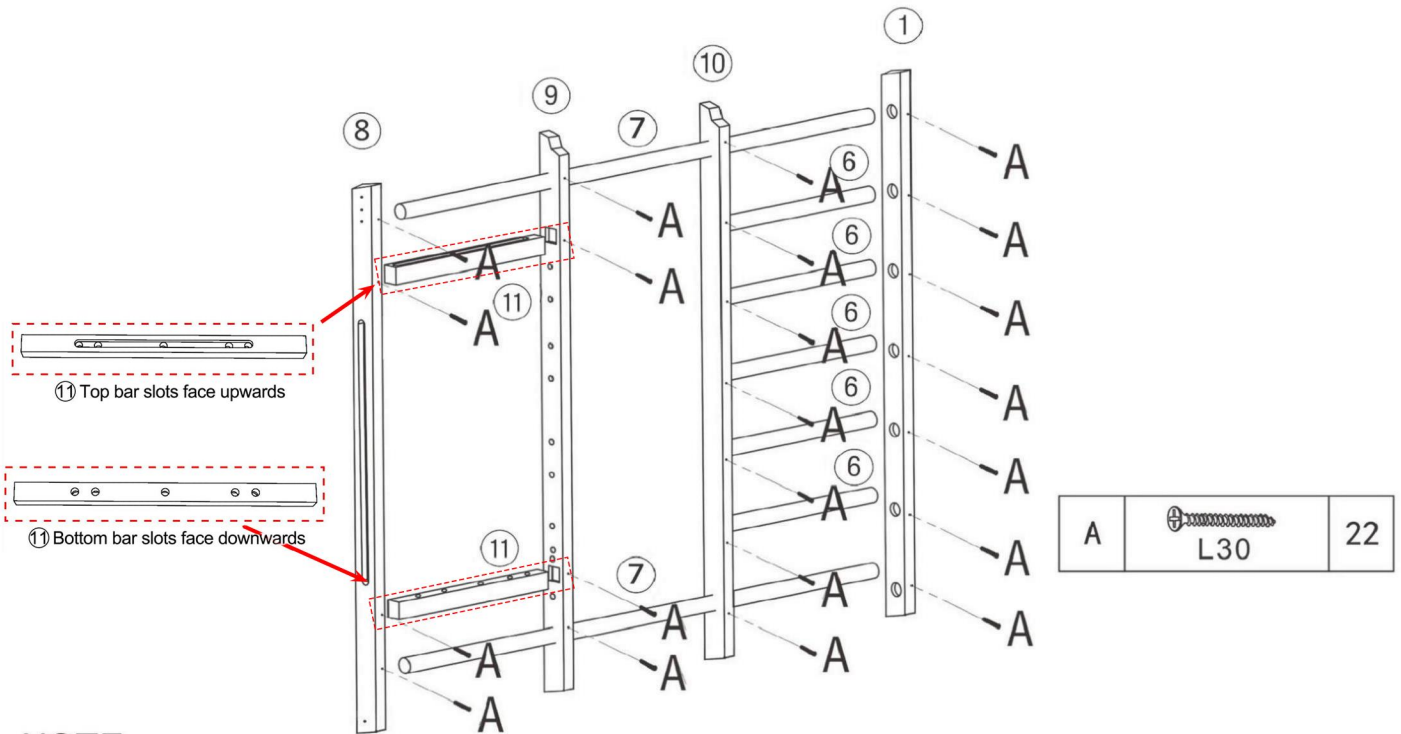
### NOTE:

- ① Parts 1, 2, 3, 4 (x1): All drill holes should be facing upwards;  
The slope of ends should be at the same angle
- ② Part 5 (x3): Go through part 2
- ③ Part 6 (x2): Sit between 1 & 2
- ④ Part 7 (x2): Go through the ends of part 2 & 3, ending of 1&4
- ⑤ Measure between parts 2&3 and compare to slide width to make sure the same before drilling screws



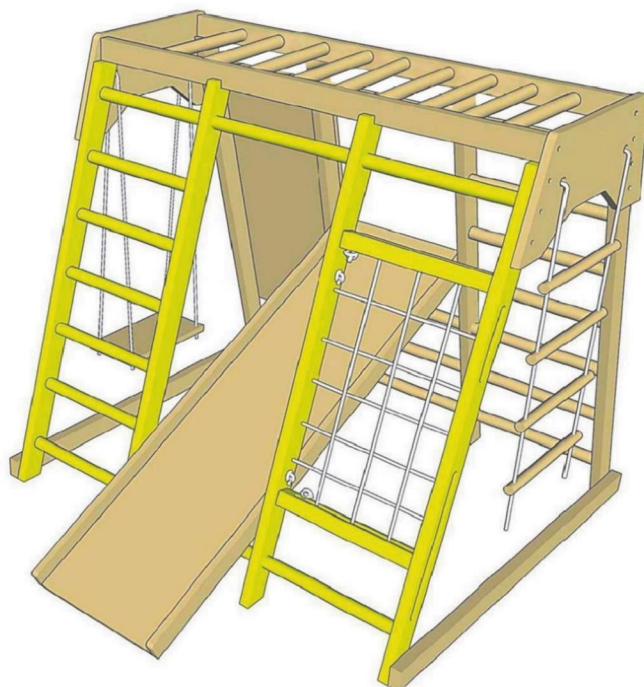
# Section B

Tip: Align all the parts as shown in the illustration before drilling



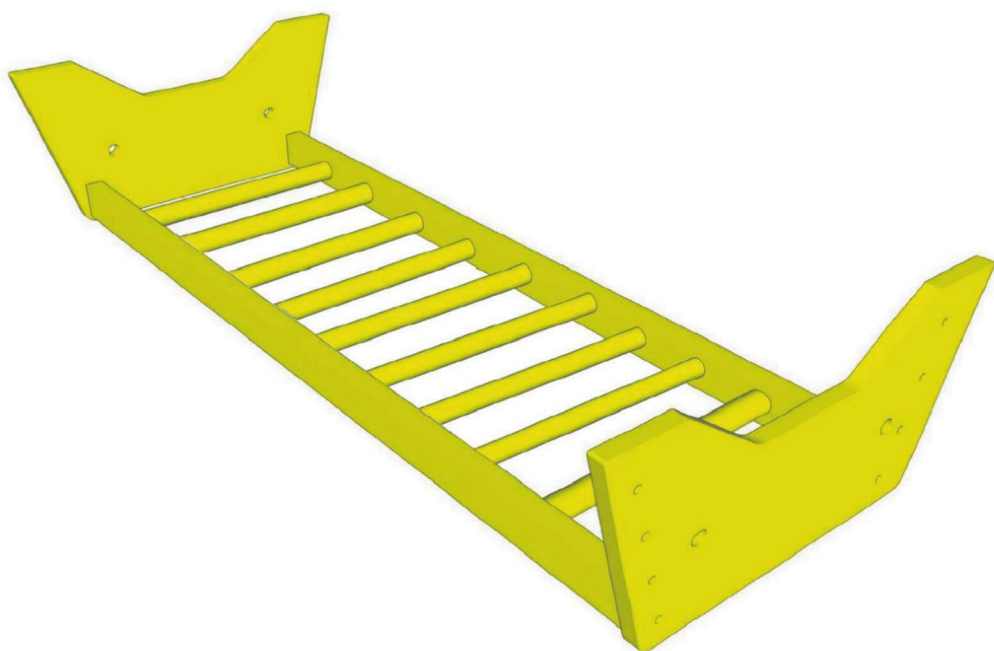
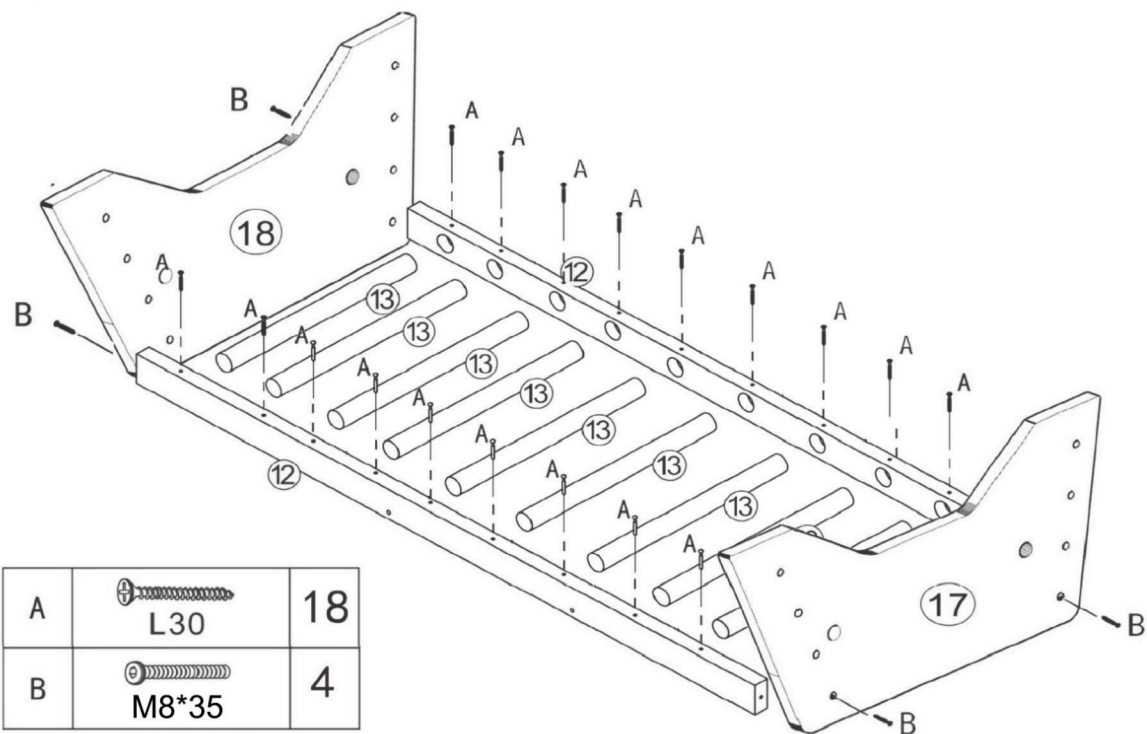
## NOTE:

- ① Parts 8, 9, 10, 1 (x1): All drill holes should be facing upwards;  
The slope of ends should be at the same angle
- ② Part 7 (x2): Go through the ends of part 9 & 10, ending of 1 & 8
- ③ Part 6 (x5): Sit between 1 & 10
- ④ Part 11 (x2): Sit between 8 & 9



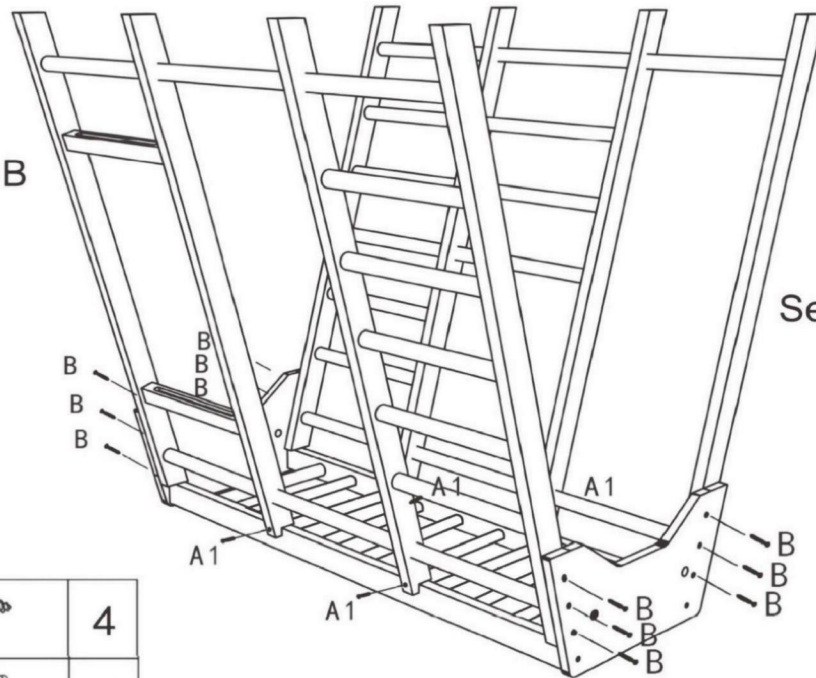
# Section C

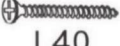
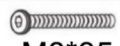
Tip: Align all the parts as shown in the illustration before drilling



Section B

Section A



A 1	 L40	4
B	 M8*35	12

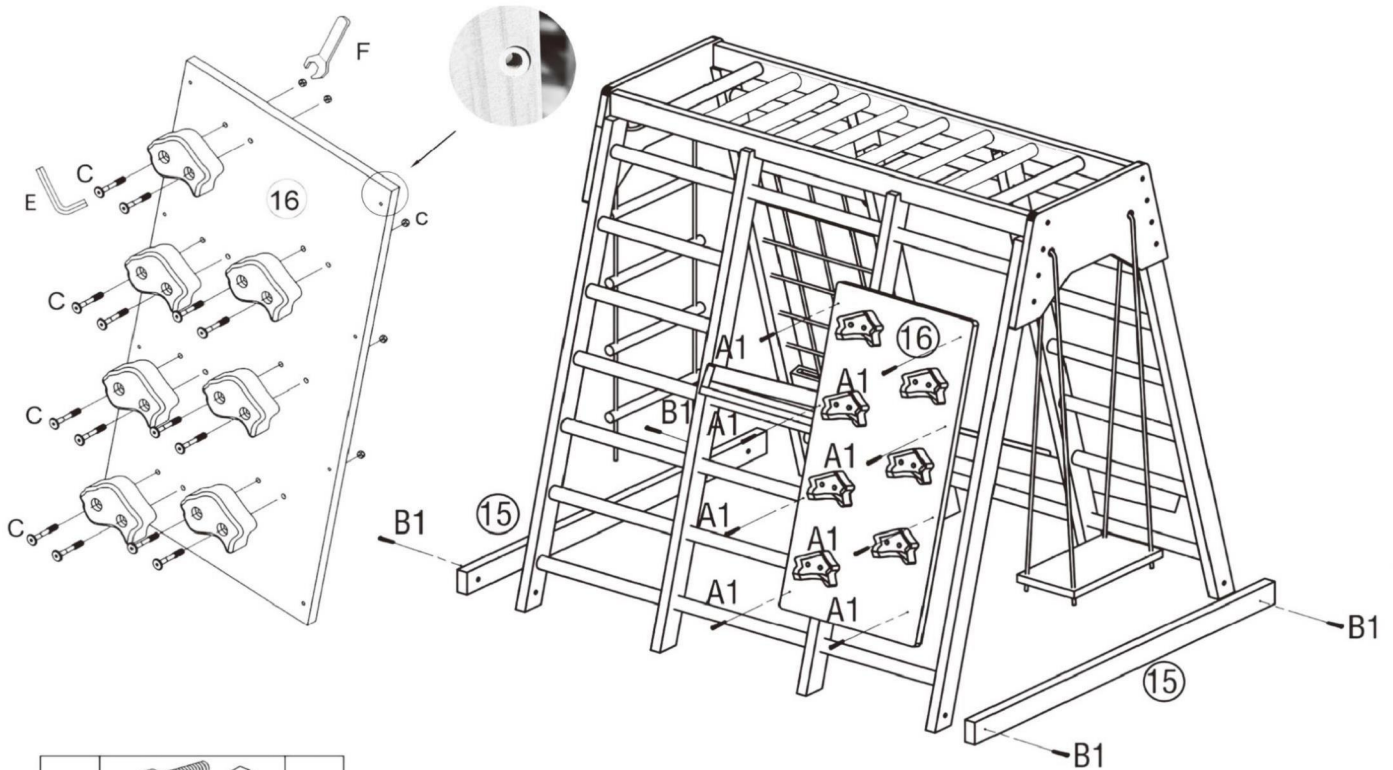
**NOTE:**

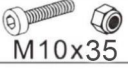
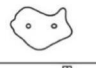

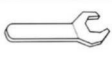
Attach sections A and B to parts 17 and 18 while upside down.  
Do not tighten screw B all the way until all screws are in place.  
It's helpful to have another person hold section A and B in place






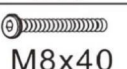

**NOTE:** The front side of the rock wall board has the indentation in the wood for the screws. The left side has more climbing rocks than right side



C	 M10x35	14
20		7
E	 8mm	1
F		1


**NOTE**

Turn the playset upright and attach parts 15 to the base of Section A and B and then attach part 16 as shown in the picture

A1	 L40	8
B1	 M8x40	4
D	 5mm	1

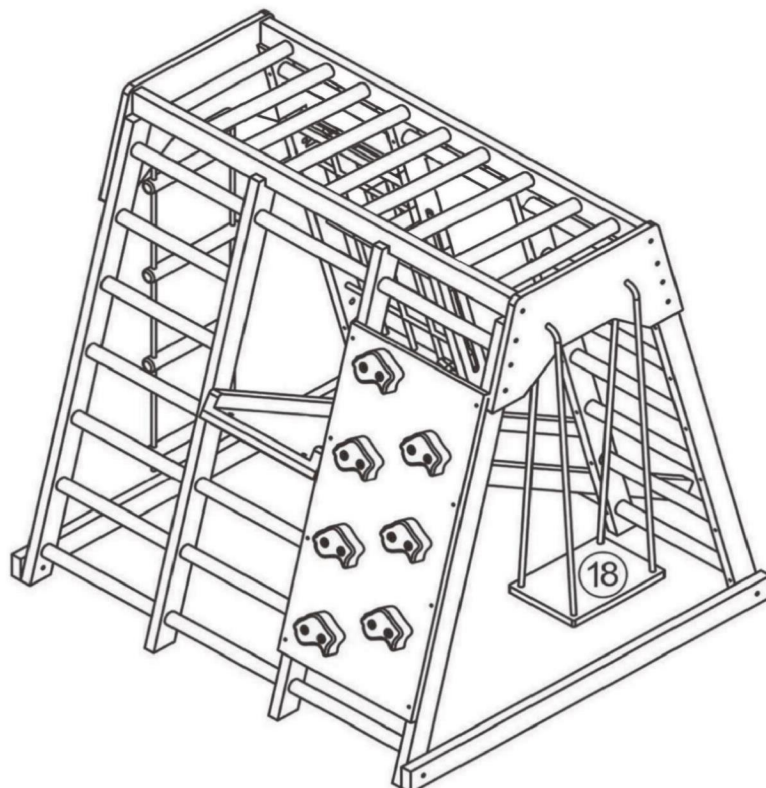




14		1
----	---	---

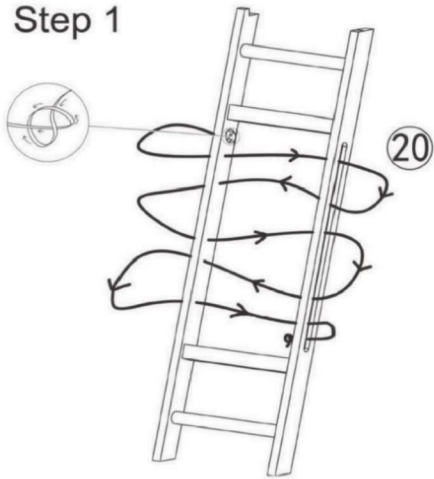
17	(Rope Ladder)	1
----	---------------	---

18	( Swing )	1
----	-----------	---

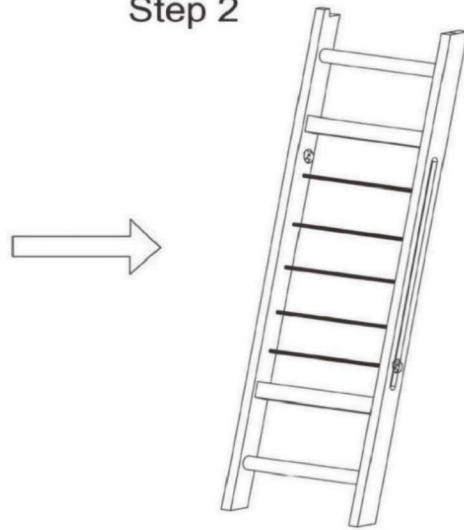


# Rope wall from Section B

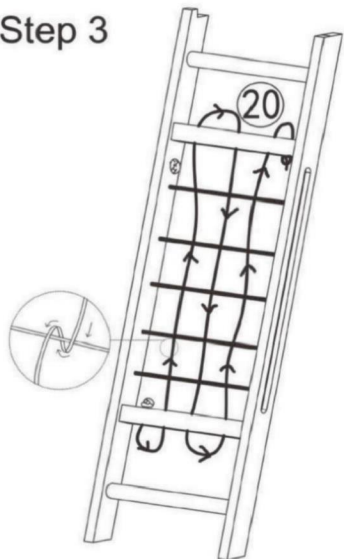
Step 1



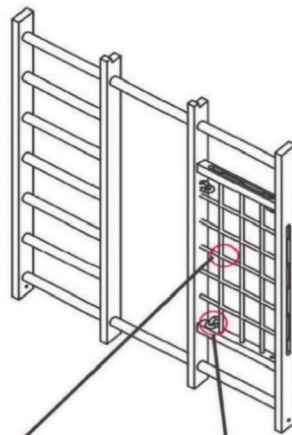
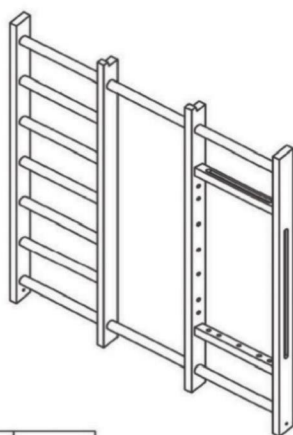
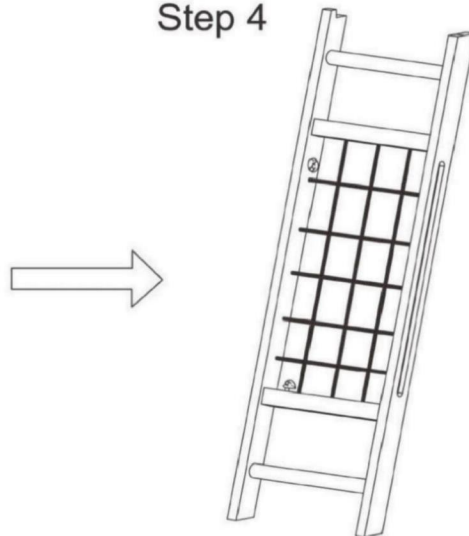
Step 2



Step 3



Step 4



20		2
L : 3000mm		











**For Video assembly,  
visit [www.avenlur.com/instructions](http://www.avenlur.com/instructions)  
or scan the QR code below**



**FOR ADDITIONAL ASSISTANCE  
PLEASE CALL US AT 888-697-3931  
M-F 9AM-5PM PT (12pm -8PM ET)  
OR EMAIL US AT  
[info@Avenlur.com](mailto:info@Avenlur.com)**