

avenlur

Laurel by Avenlur



Need Help?

CALL US AT 888.697.3931 / M-F 9AM - 5PM PT (12PM - -8PM ET)

OR EMAIL US AT INFO@AVENLUR.COM

V3

⚠ WARNING

Adult assembly required.

⚠ WARNING

Maximum user weight: 55lbs (25kg) per child

⚠ WARNING

⚠ CHOKING HAZARD:

Adult assembly required. Keep small assembly parts out of reach of children.

⚠ Use under adult supervision

OBSERVE ALL STATEMENTS AND WARNINGS TO REDUCE THE LIKELIHOOD OF SERIOUS OR FATAL INJURY. SAVE THIS SHEET FOR FUTURE REFERENCE.

OPERATION INSTRUCTIONS

1. An adult should always supervise use of this product by children of all ages.
2. Instruct children not to attach items to the playground equipment that are not specifically designed for use with the equipment (examples: ropes, clothesline, pet leashes, cables and chain, etc) as they may cause a strangulation hazard or any other hazard.
3. Never allow children to use the equipment in a manner other than intended.

MAINTENANCE INSTRUCTIONS

1. Inspect the product periodically for loose or damaged components. **Tighten bolts if need.**
2. Check all connections and bolts for tightness at least twice monthly during the usage.
3. Check all coverings and bolts for sharp edges.

INSTALLATION INSTRUCTIONS

Please have an electrical drill available for assembly if possible

If you have difficulty in installation, please contact us for help and get installation video for reference

Please Ensure:

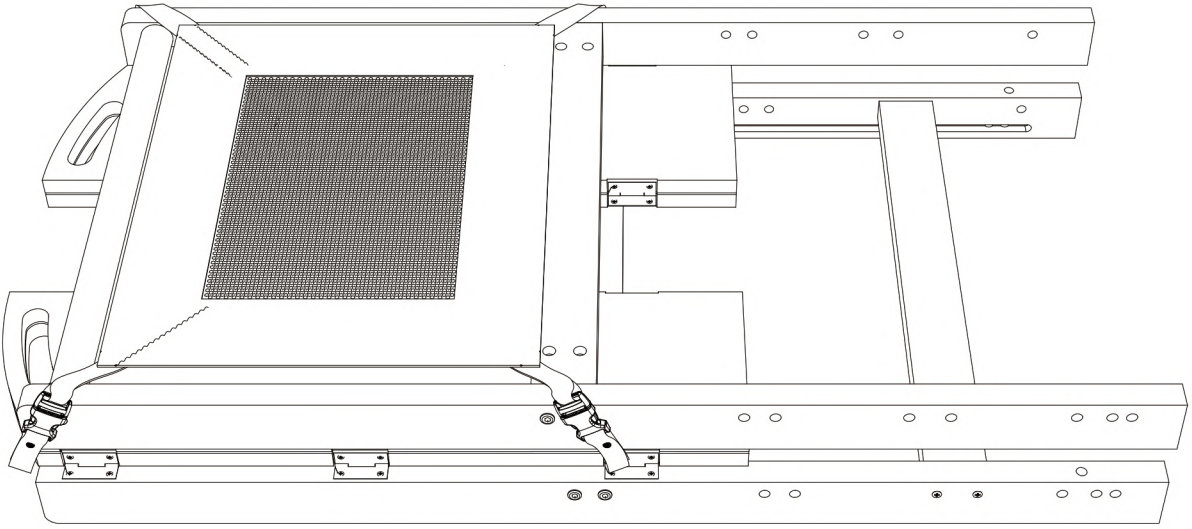
1. You are assembling with at least two people to ensure that all sides and parts are leveled.
2. You don't screw the parts in too hard or it will splinter the wood.
3. You follow the directions carefully.

CONTACT US BEFORE ASSEMBLY

If you have assembly questions or if you need parts
whether they are missing or damaged

Call us at 888-697-3931 or email us at

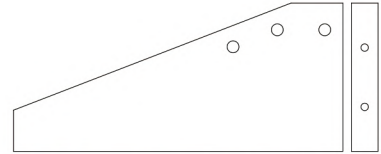
info@Avenlur.com



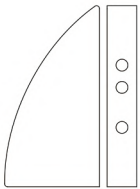
①x1 37in



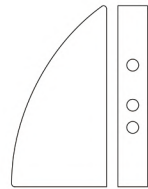
②x1 17.6in



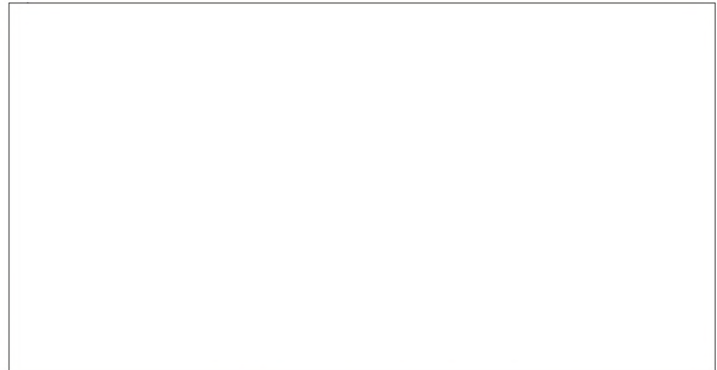
③x2 8.8in



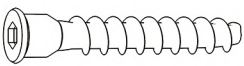
④x2 4.8in



⑤x4 4.8in

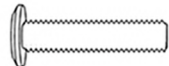


⑥x1 34.6in



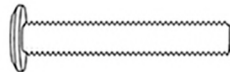
M6.3x40

①A x4



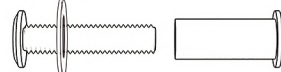
M6x40

①B x4



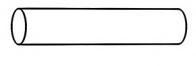
M6x70

①C x2



M6x20 M6x30

①D x2



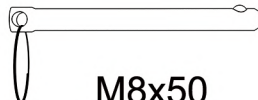
Ø8x30

①E x12



4mm

①F x2



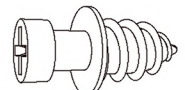
M8x50

①G x2



M7.4x26

①H x2

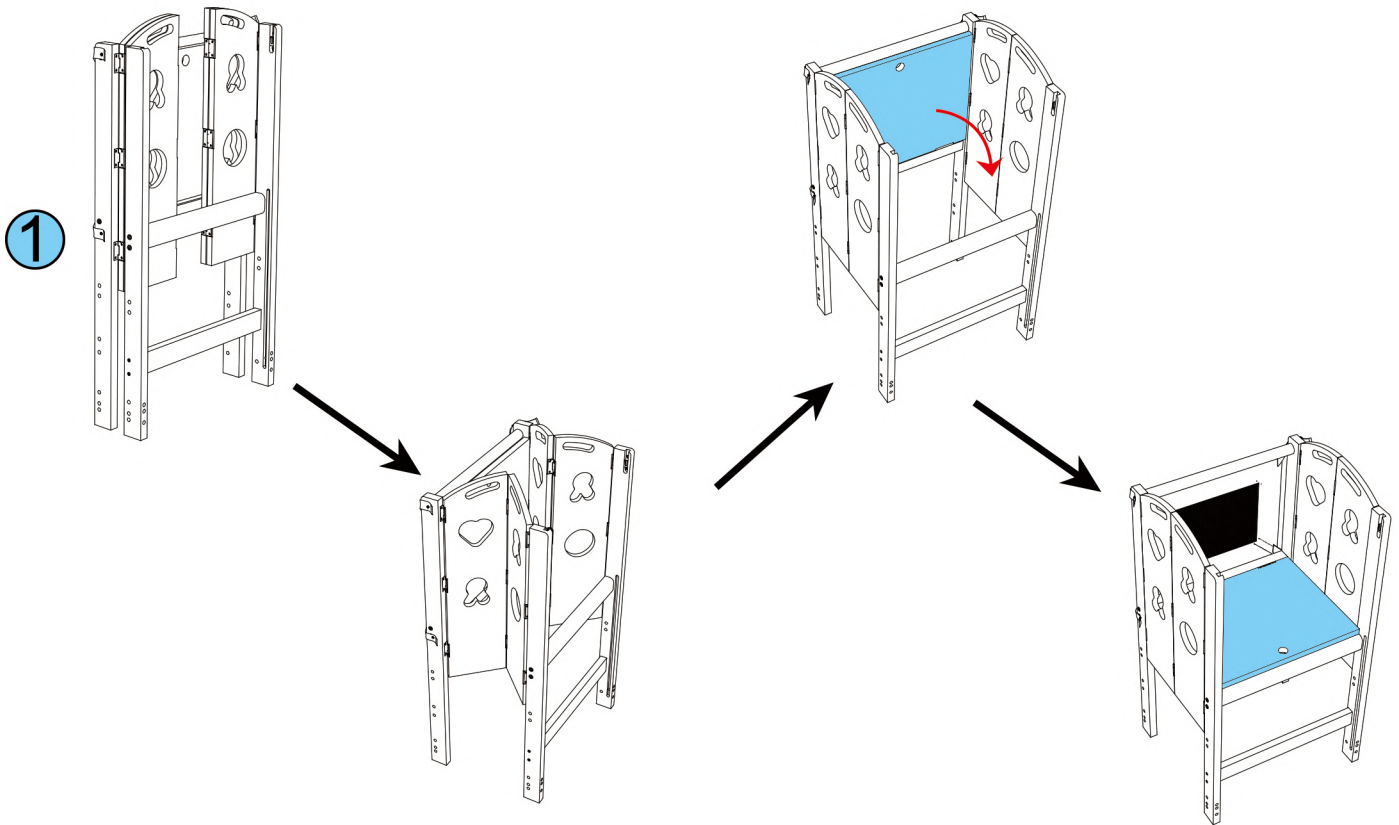


M6.5x25

①I x2

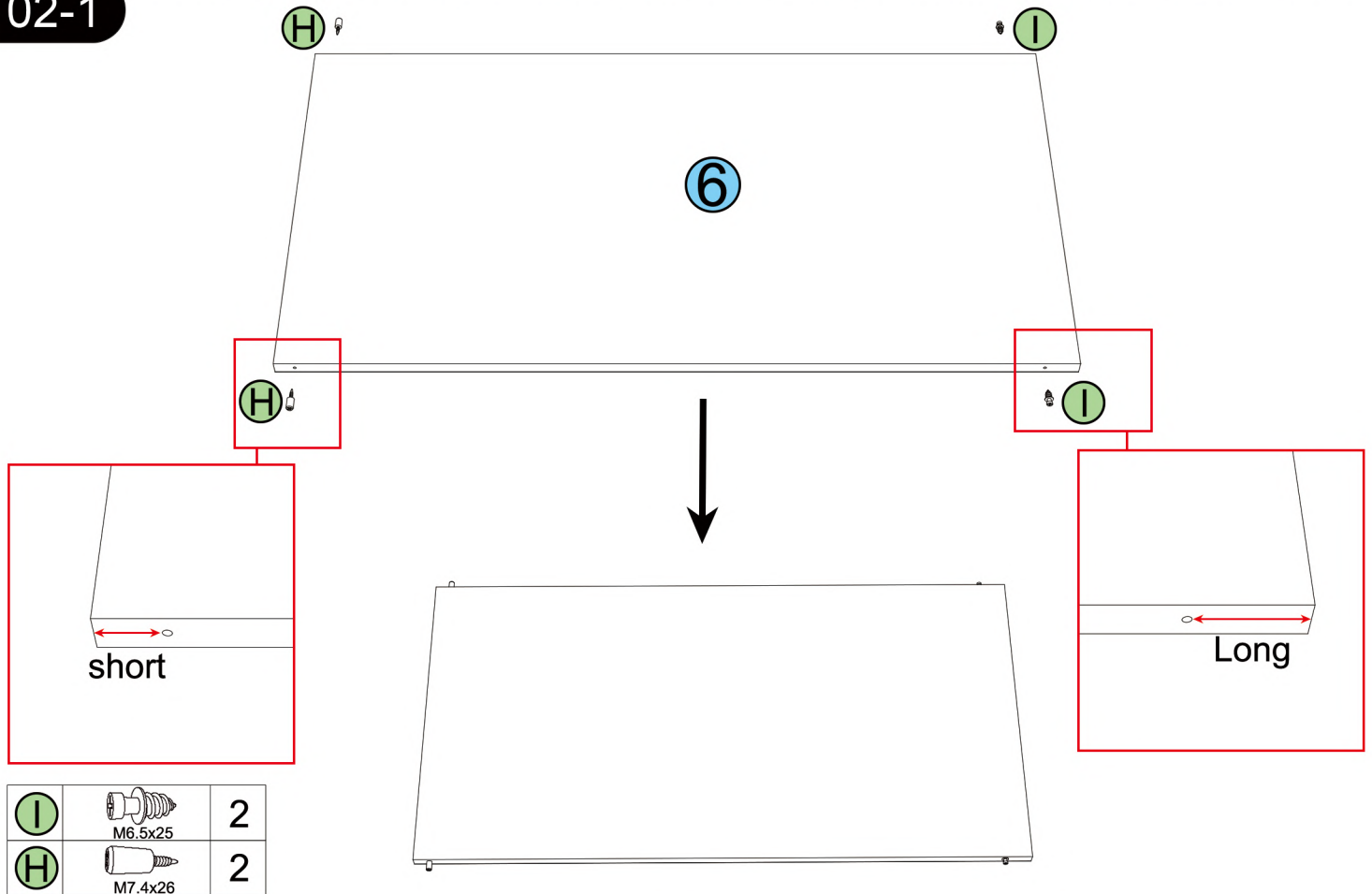
01-1

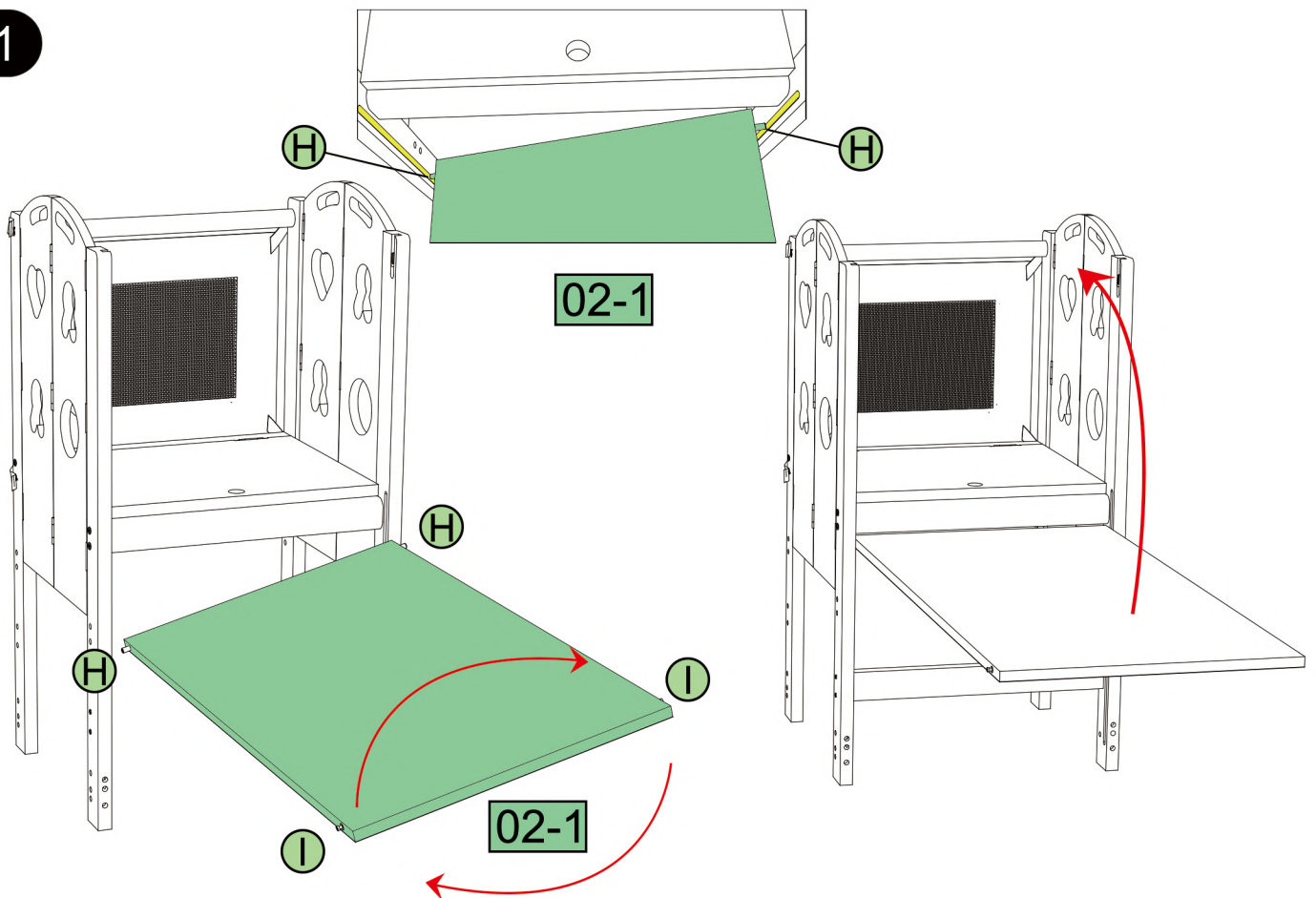
Note: Pay attention to all the black bubbled section markers. The manual may refer back to those later



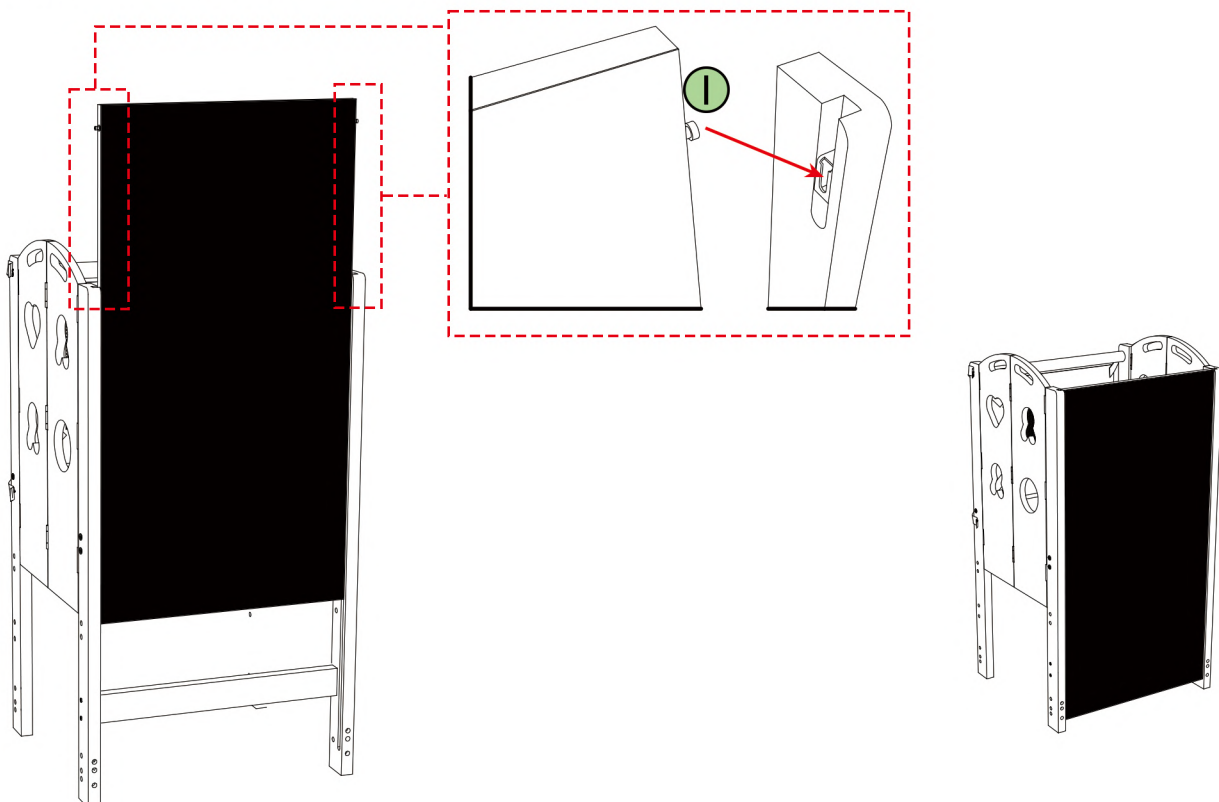
02-1

Screws **H** + **I** for the blackboard/slide need to be very tight, otherwise it may affect slide slide out

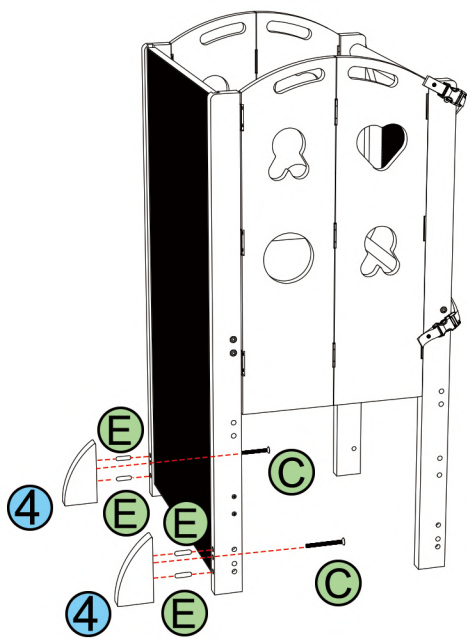




1. Face the blackboard downward
2. Lift the board, and while at an inclined angle, insert screws (H) into the slots as shown
3. Once the screws have been inserted into the slot, lift the board up so that it's flush with the tower
4. Lower the board down until screw (I) clicks into its slots as shown

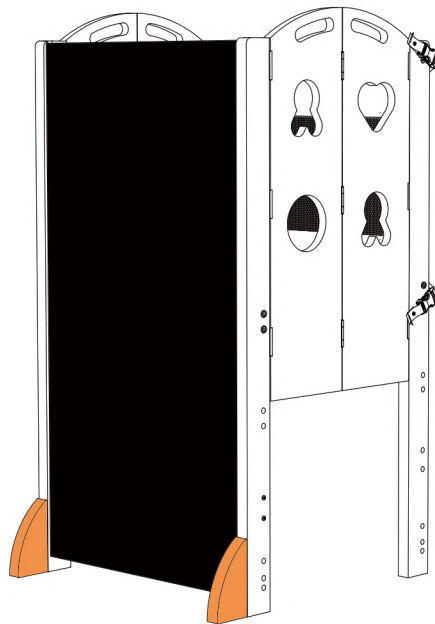


04-1

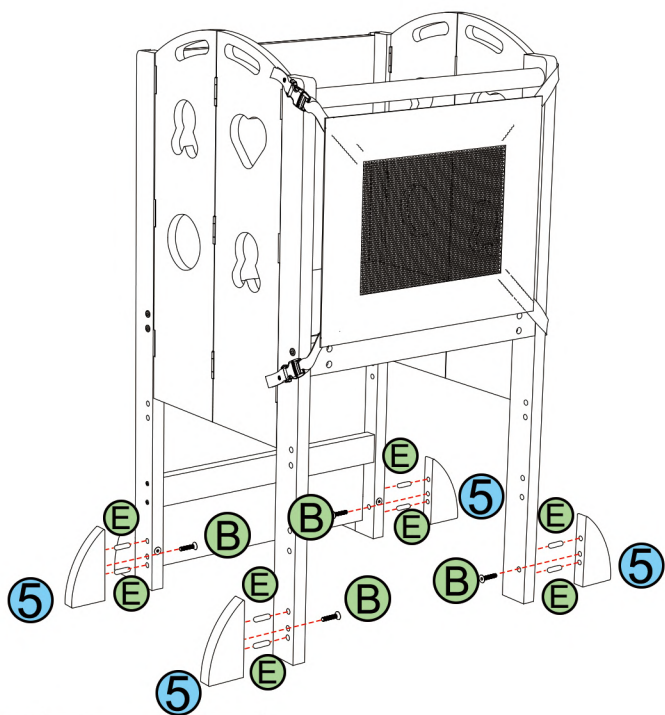


C	M6x70	2
E	M8x30	4

04-2

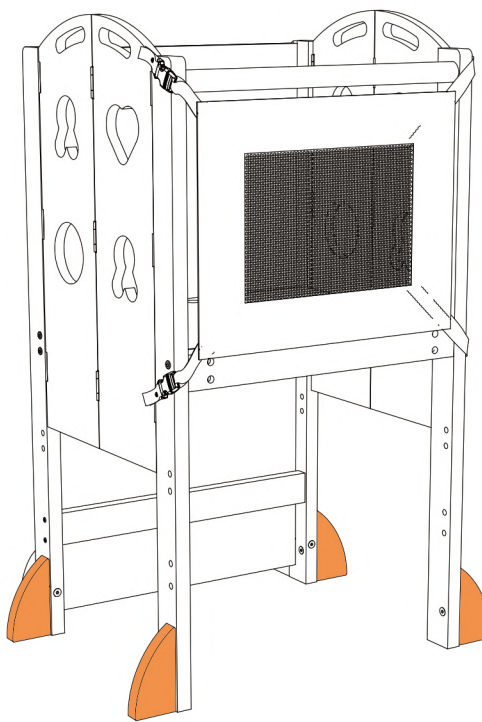


05-1

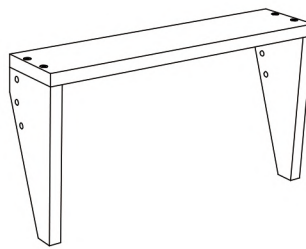
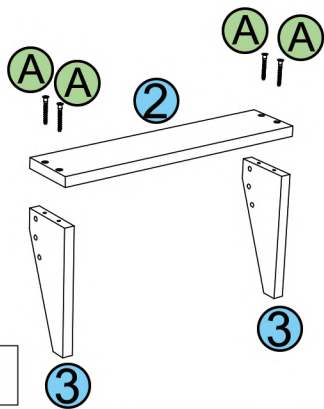


B	M6x40	4
E	M8x30	8

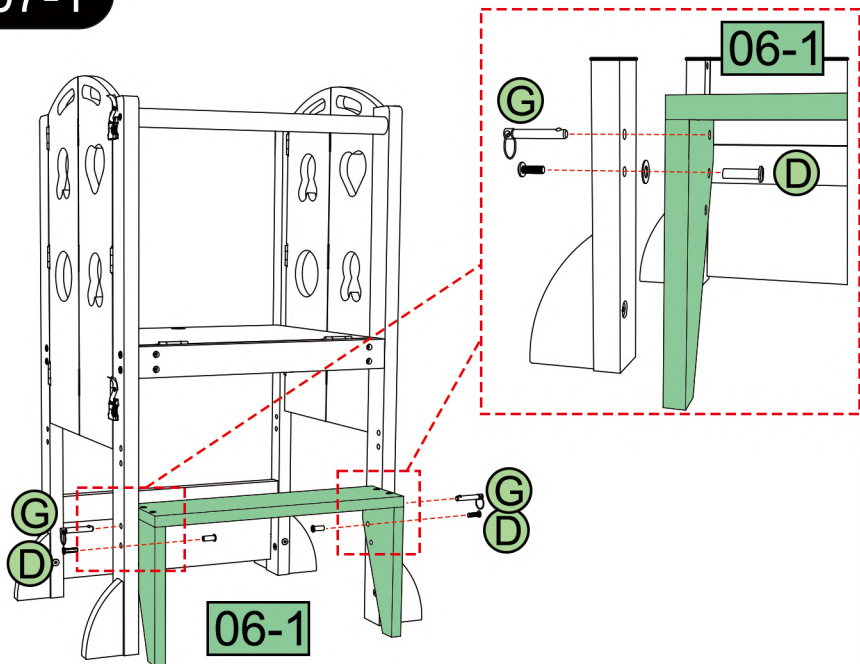
05-2



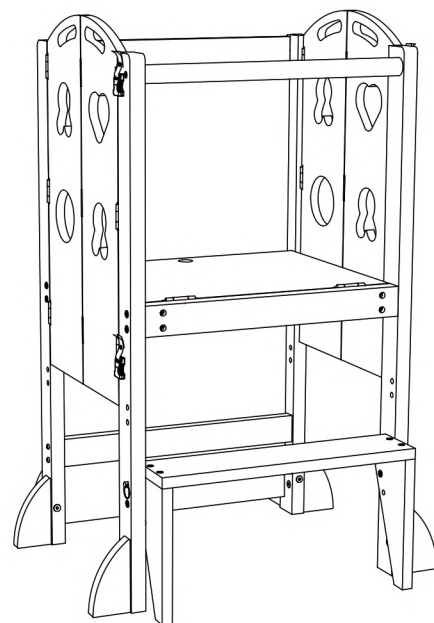
06-1



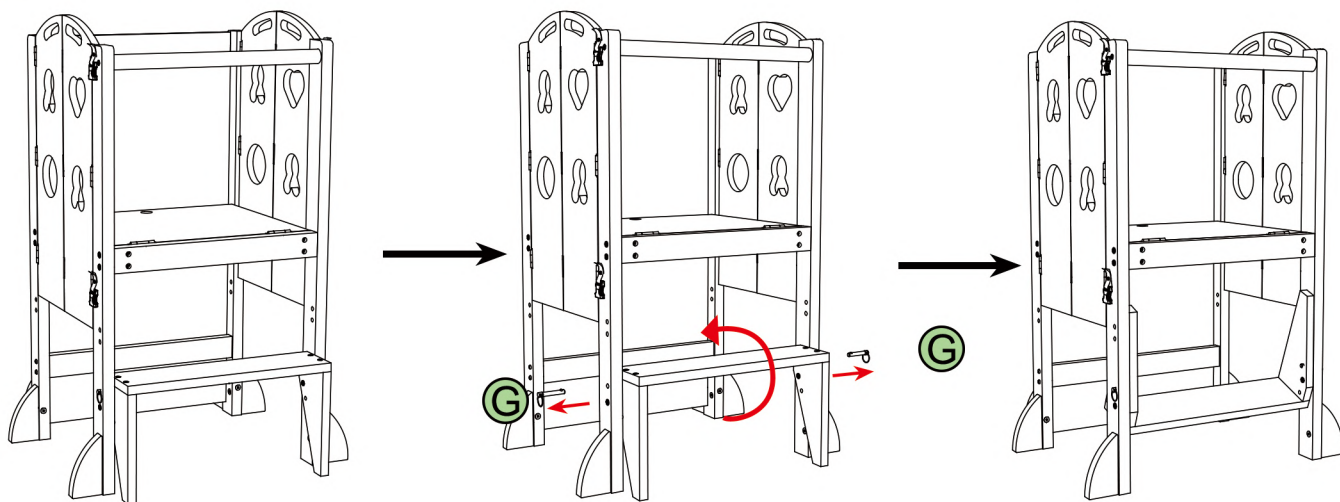
07-1



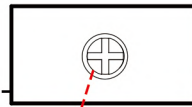
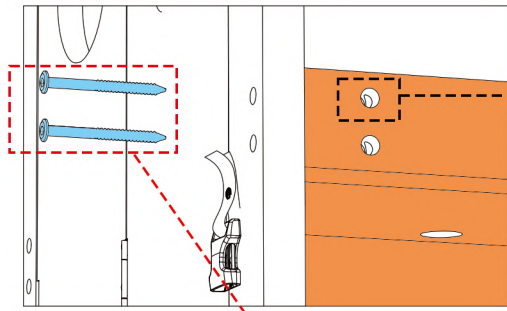
07-2



08-1



09-1

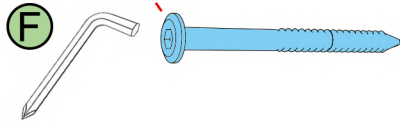


Adjust the height of the platform (in orange) as needed:

Step 1: Open one side of the net

Step 2: Unscrew 8 blue screws, keep screw nuts in the original position

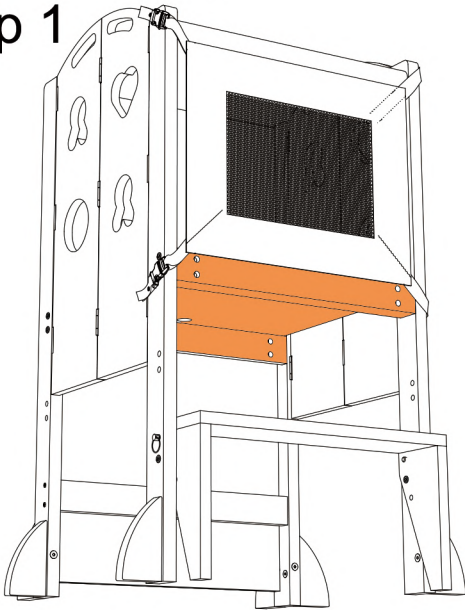
Step 3: Adjust the height of orange board and tighten 8



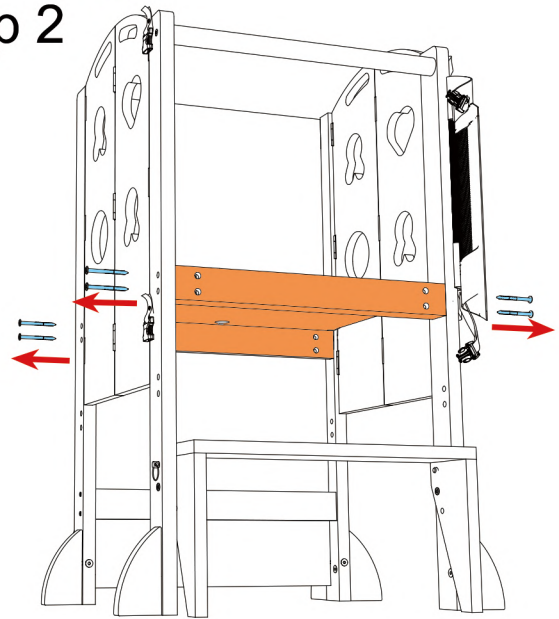
blue screws



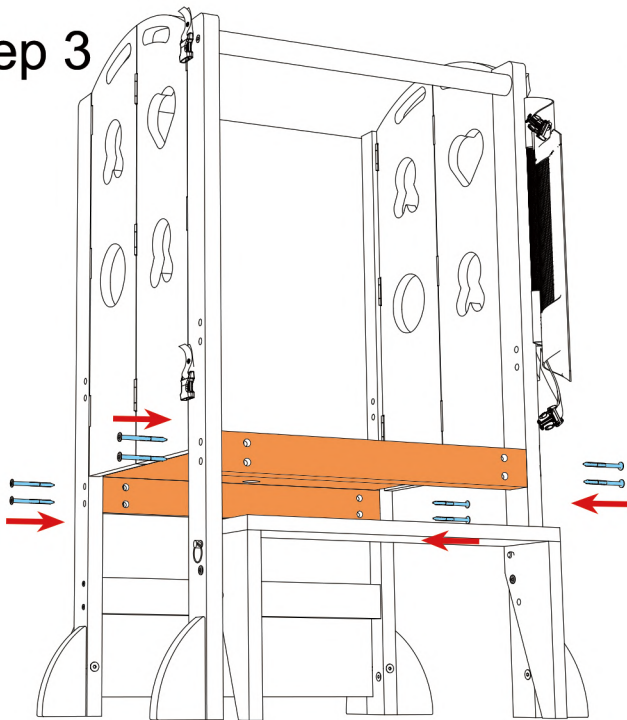
Step 1



Step 2



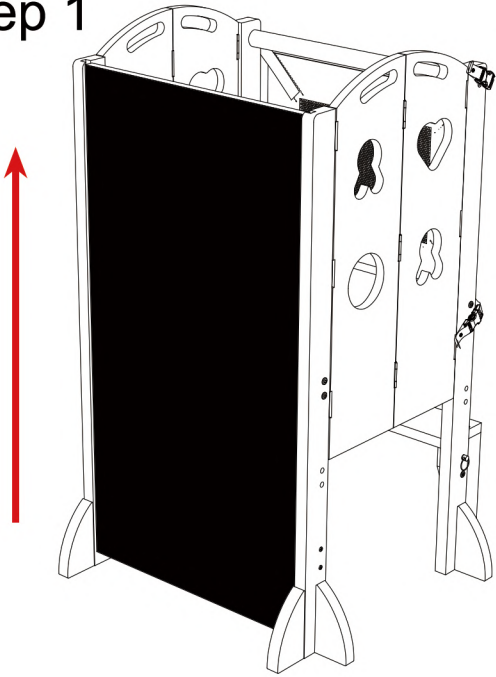
Step 3



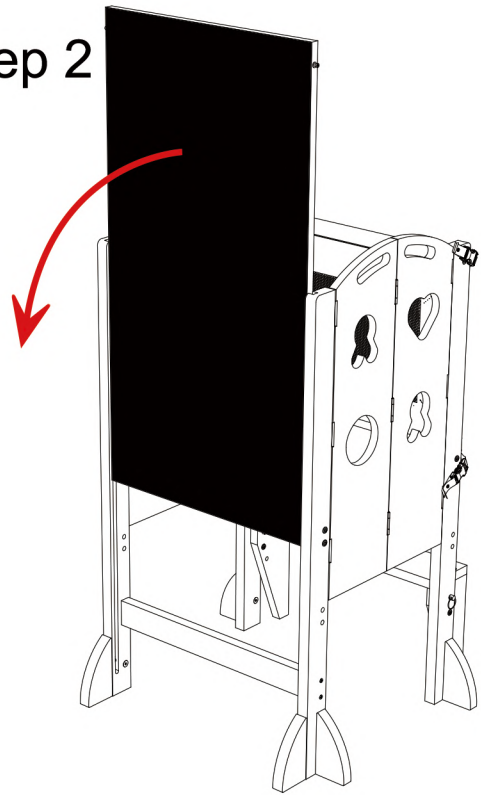
Step 4



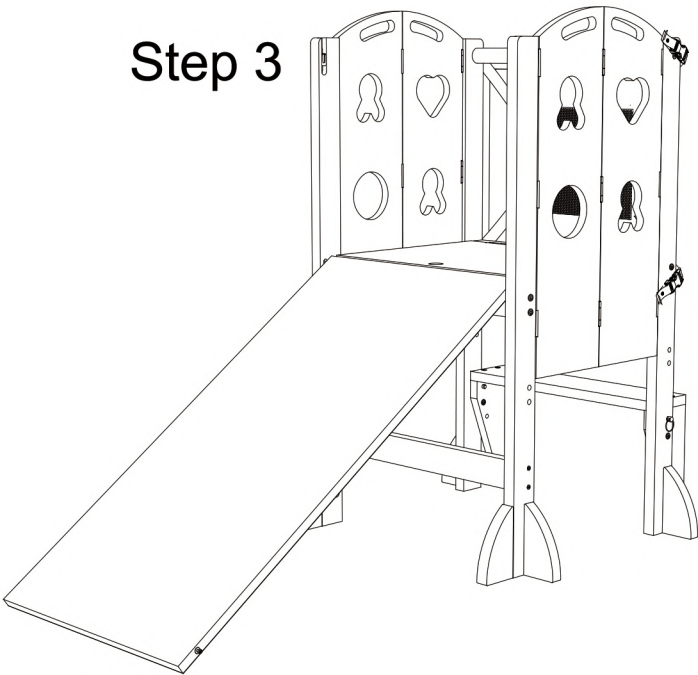
Step 1

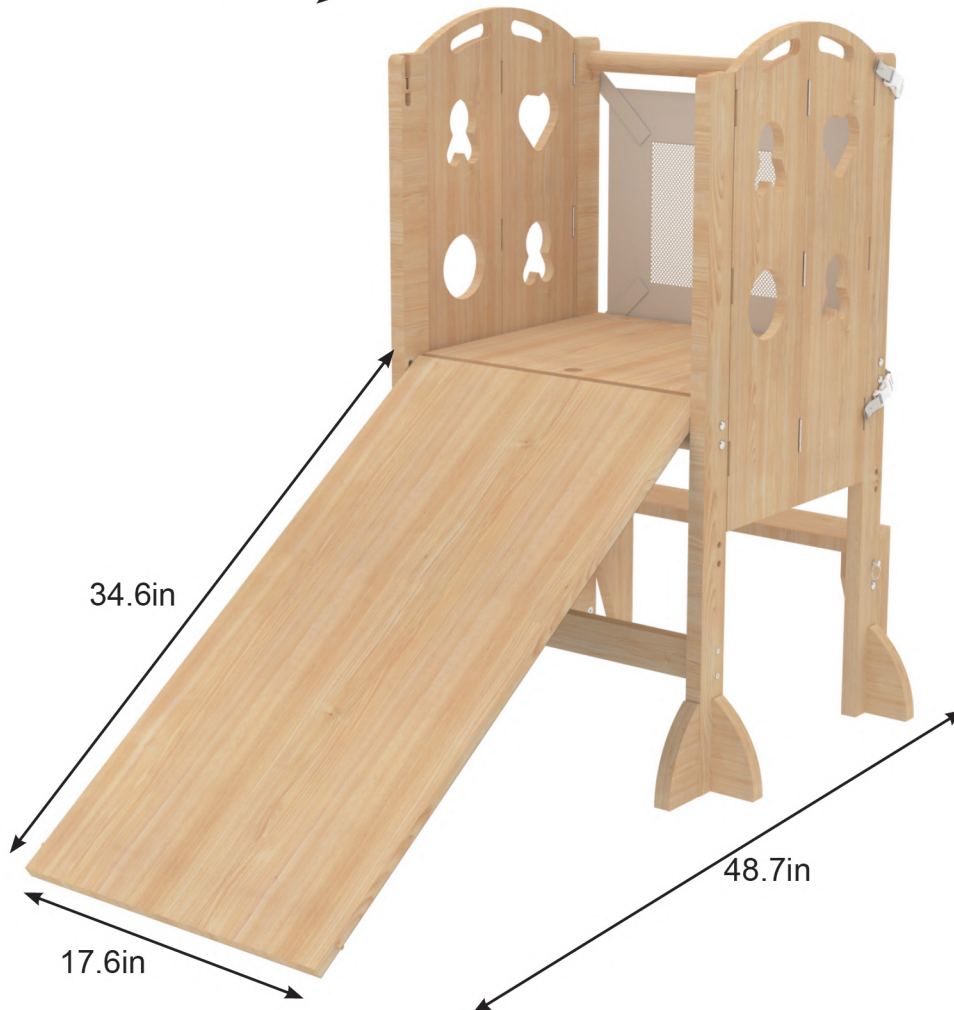
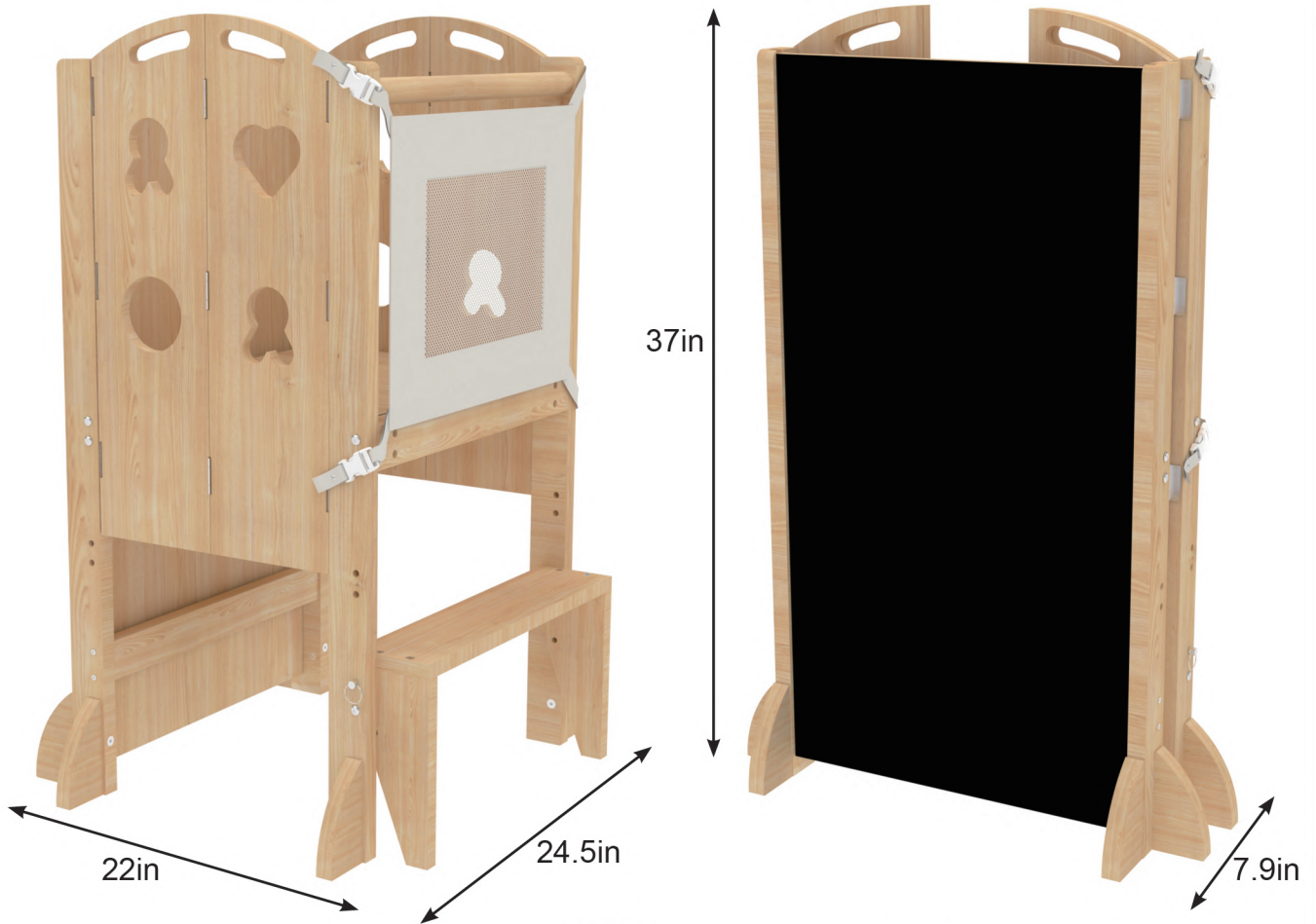


Step 2



Step 3





For questions with assembly or replacement parts, please email us at: info@avenlur.com or call us at: **888-697-3931**