

avenlur

Cypress by Avenlur



Need Help?

CALL US AT 888.697.3931 / M-F 9AM - 5PM PT (12PM - -8PM ET)

OR EMAIL US AT INFO@AVENLUR.COM

V2


WARNING

Adult assembly required.

WARNING

CHOKING HAZARD:

Adult assembly required. Keep small assembly parts out of reach of children.

 Use under adult supervision.

OBSERVE ALL STATEMENTS AND WARNINGS TO REDUCE THE LIKELIHOOD OF SERIOUS OR FATAL INJURY. SAVE THIS SHEET FOR FUTURE REFERENCE.

OPERATION INSTRUCTIONS

1. An adult should always supervise use of this product by children of all ages.
2. Instruct children not to attach items to the playground equipment that are not specifically designed for use with the equipment (examples: ropes, clothesline, pet leashes, cables and chain, etc) as they may cause a strangulation hazard or any other hazard.
3. Never allow children to use the equipment in a manner other than intended.

MAINTENANCE INSTRUCTIONS

1. Inspect the product periodically for loose or damaged components. **Tighten bolts if need.**
2. Check all connections and bolts for tightness at least twice monthly during the usage.
3. Check all coverings and bolts for sharp edges.

INSTALLATION INSTRUCTIONS

Please have an electrical drill available for assembly if possible.

If you have difficulty in installation, please contact us for help and get installation video for reference.

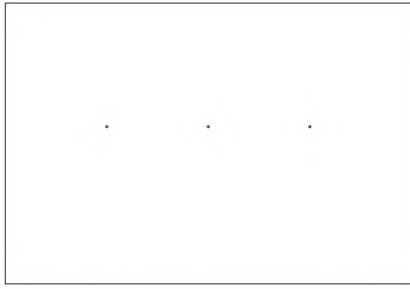
Please Ensure:

1. You are assembling with at least two people to ensure that all sides and parts are leveled.
2. You don't screw the parts in too hard or it will splinter the wood.
3. You follow the directions carefully.

CONTACT US BEFORE ASSEMBLY

If you have assembly questions or if you need parts
whether they are missing or damaged

Call us at 888-697-3931 or email us at
info@Avenlur.com



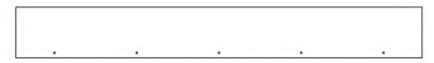
① x1 31.5in



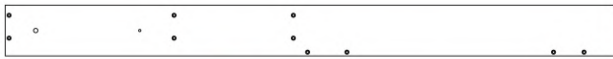
② x1 31.4in



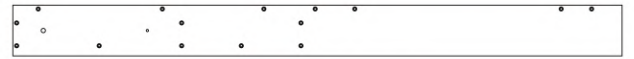
③ x1 31.5in



④ x1 31.5in



⑤ x1 47.2in



⑥ x1 47.2in



⑦ x1 31.5in



⑧ x1 31.5in



⑨ x1 31.5in



⑩ x1 31.5in



⑪ x1 31.5in



⑫ x2 11.2in



⑬ x2 8.4in



⑭ x2 8.4in



⑮ x1 22in



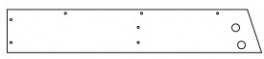
⑯ x1 16.7in



⑰ x1 16.7in



⑱ x1 19.7in



⑲ x1 19.7in



⑳ x2 13.2in



㉑ x2 22.3in



㉒ x2 13.4in



㉓ x1 31.5in



㉔ x2 28.3in



㉕ x2 9.8in



㉖ x2 3.9in



㉗ x2 33.1in



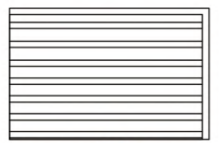
㉘ x2 2.3in



㉙ x2



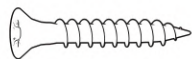
sticker
⑳ x6



Cloth ⑳ x1



M4x35
A x84



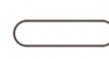
M4x30
B x14



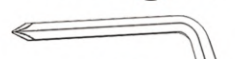
M6.3x40
C x4



M15x40
D x16

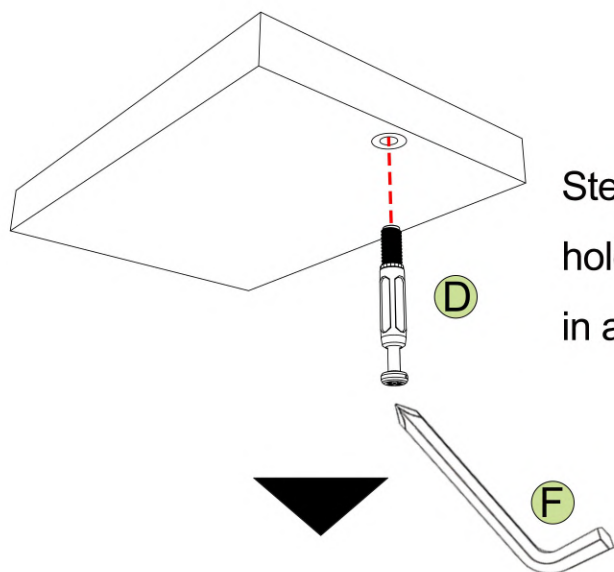


M8x20
E x8



4mm
F x1

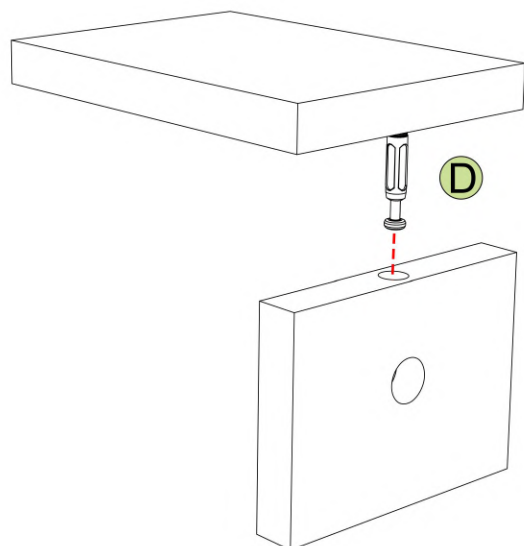
Installation steps of screw D



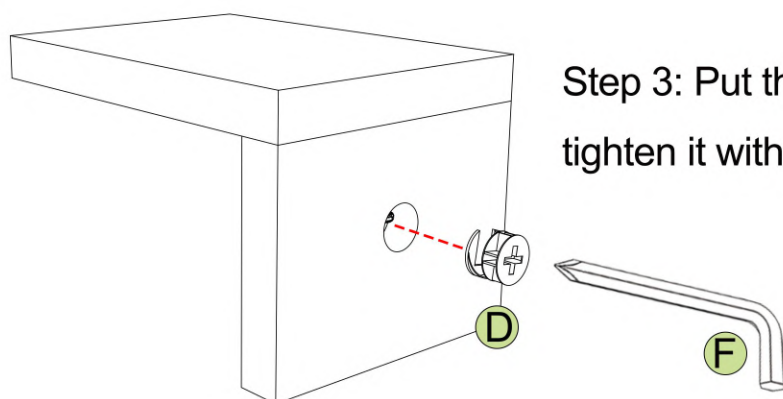
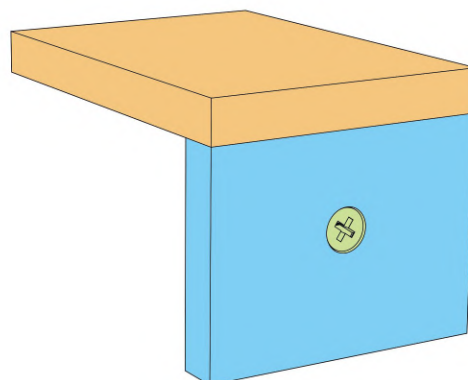
Step 1: First tighten the long screw into the wood hole with **F** cross wrench. Be sure to fix the screw in a vertical position for easy assembly later.



Screw **D** consists of two parts



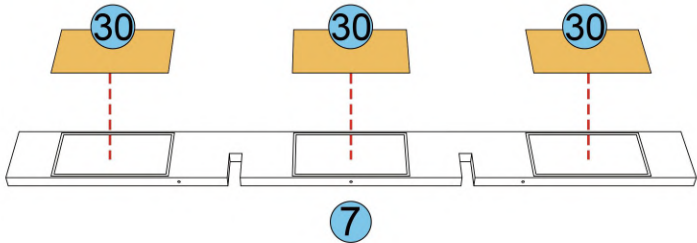
Step 2: Put the long screw fixed to the wood into the corresponding hole.



Step 3: Put the round connector into the hole and tighten it with the long screw with **F** cross wrench.

01-1

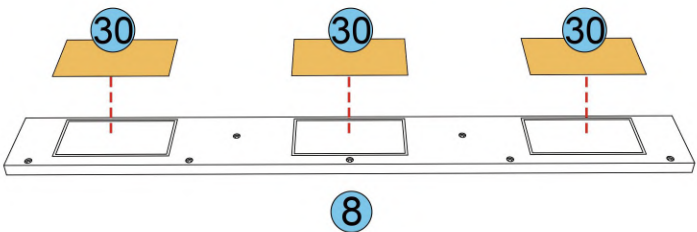
Note: Pay attention to all the black bubbled section markers. The manual may refer back to those later.



01-2



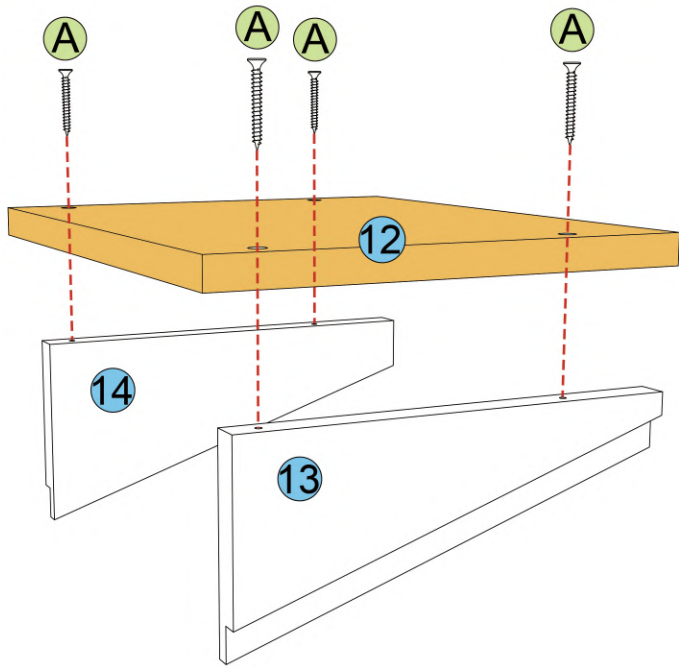
02-1





02-2

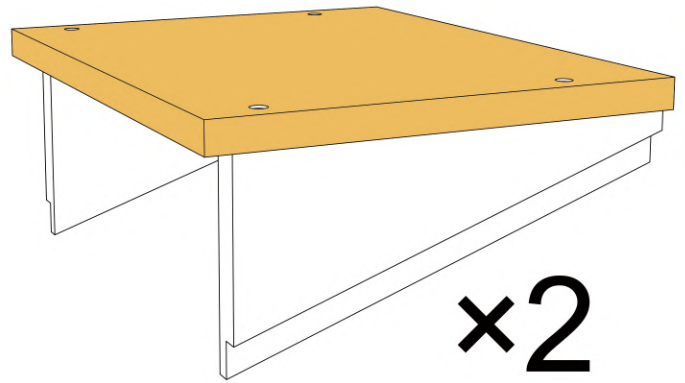


03-1



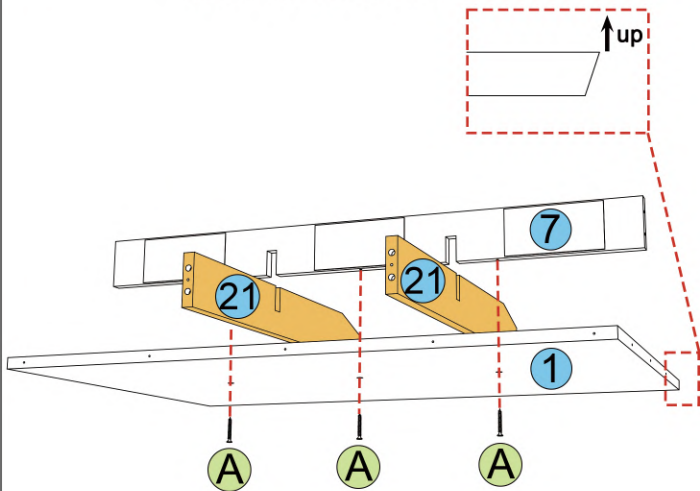
A	 M4x35	8
F	 4mm	1



03-2



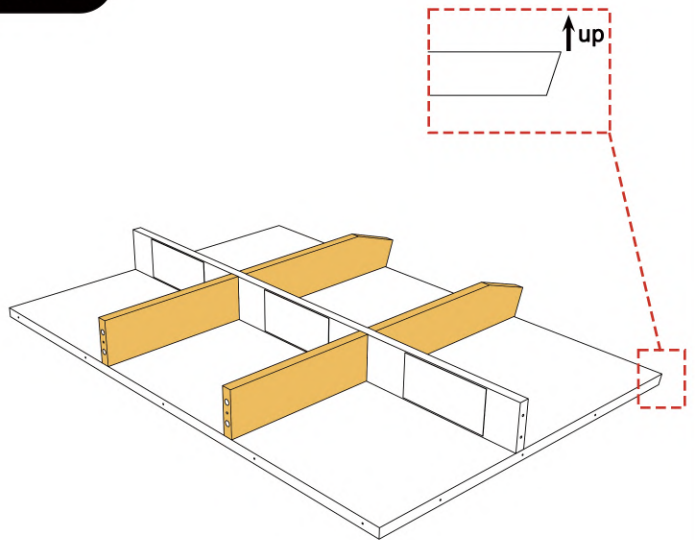
04-1

Please notice Part ① direction of slope and install as shown.

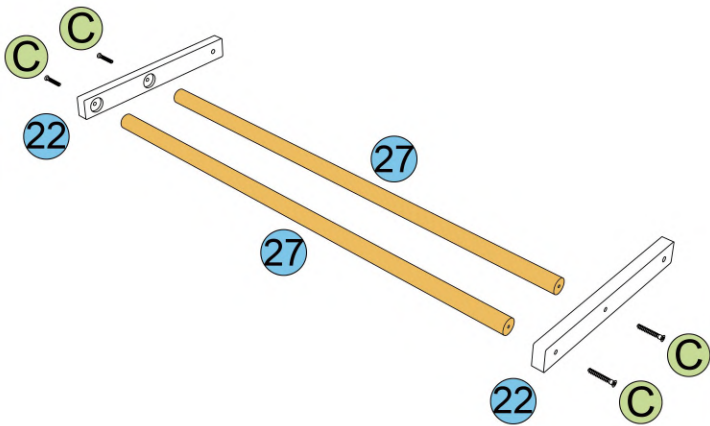




A	 M4x35	3
F	 4mm	1

04-2

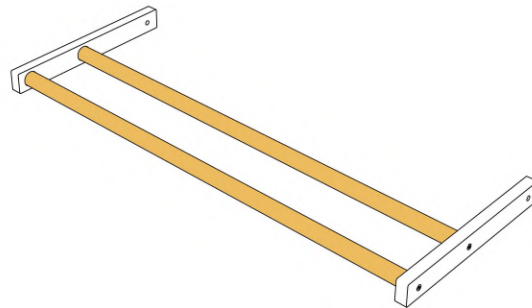


05-1

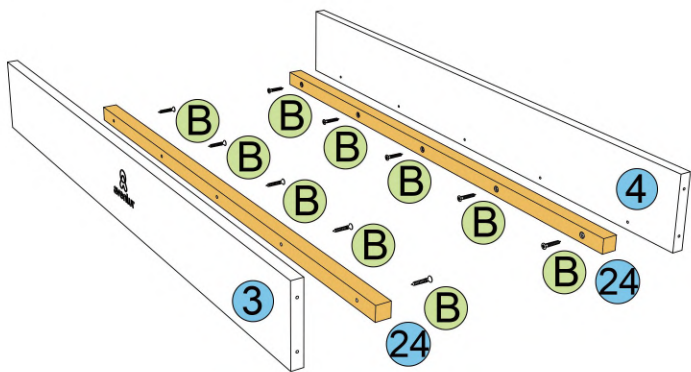




C	 M6.3x40	4
F	 4mm	1

05-2

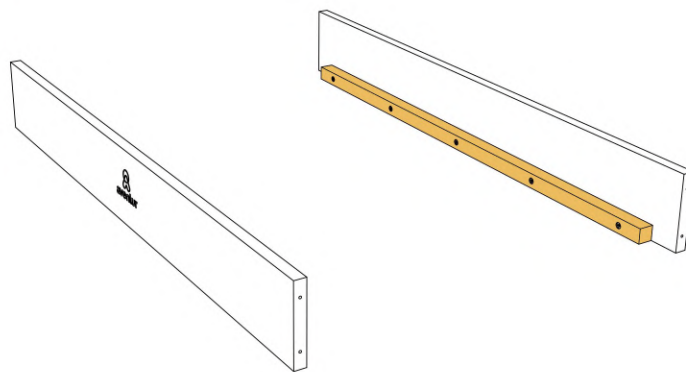


06-1

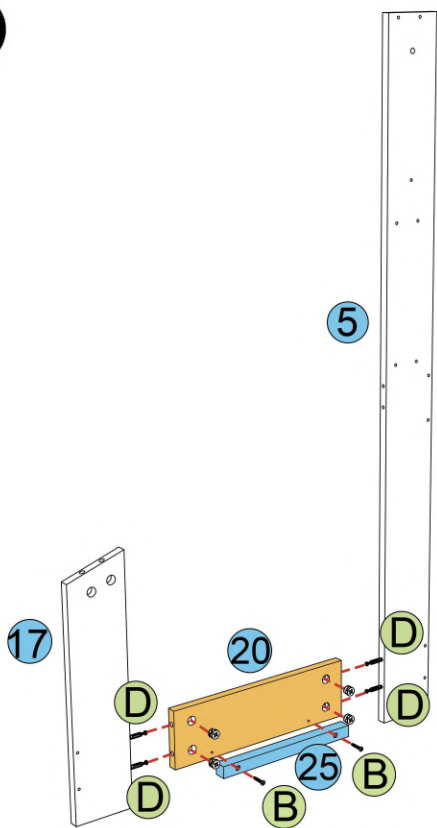



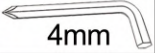
B	 M4x30	10
F	 4mm	1

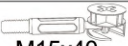
06-2



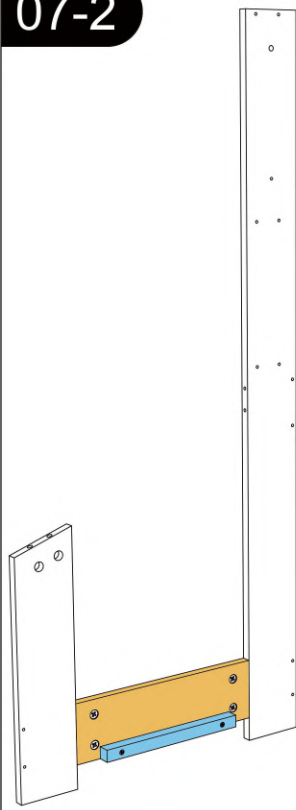
07-1



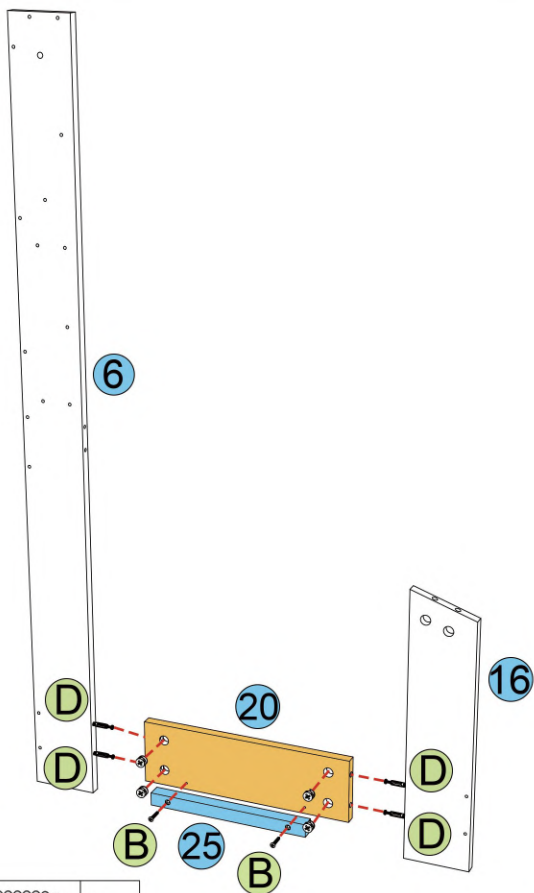
B	 M4x30	2
F	 4mm	1


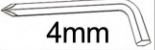
D	 M15x40	4
----------	---	---


07-2



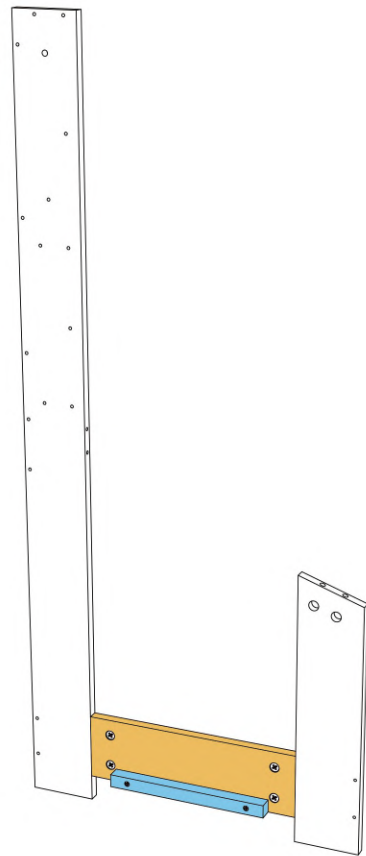
08-1



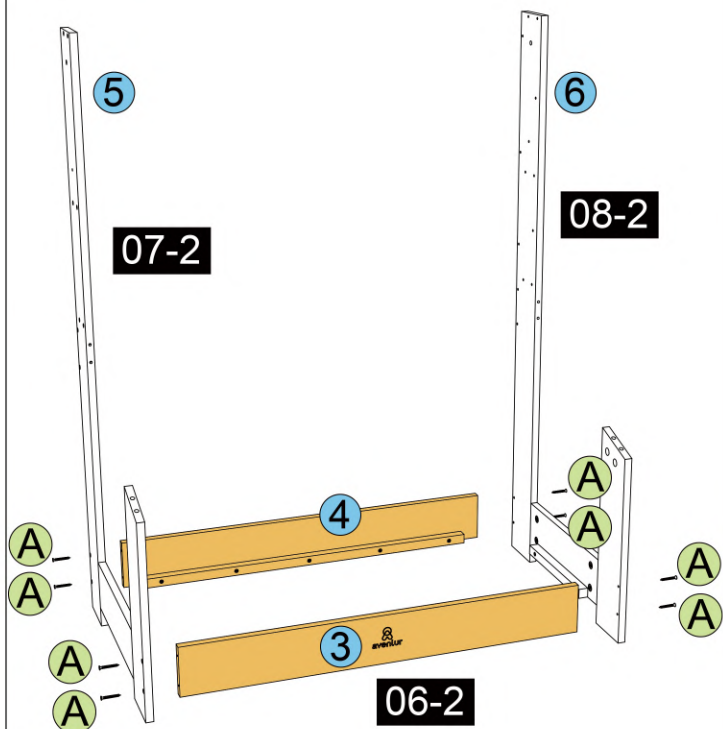
B	 M4x30	2
F	 4mm	1



D	 M15x40	4
----------	--	---

08-2

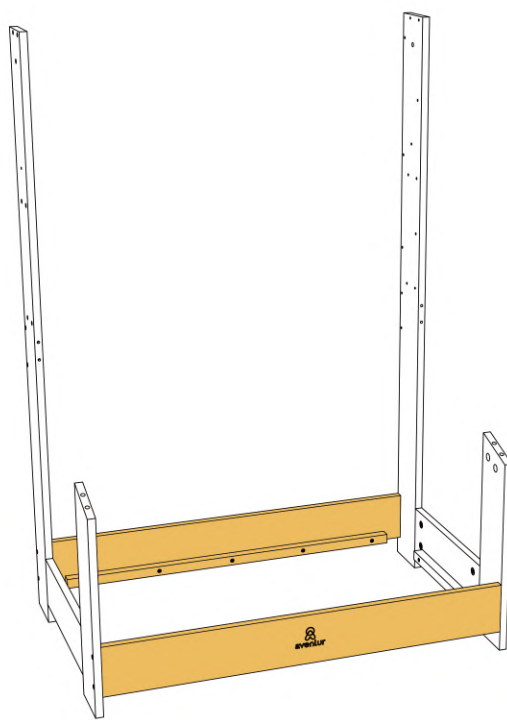


09-1

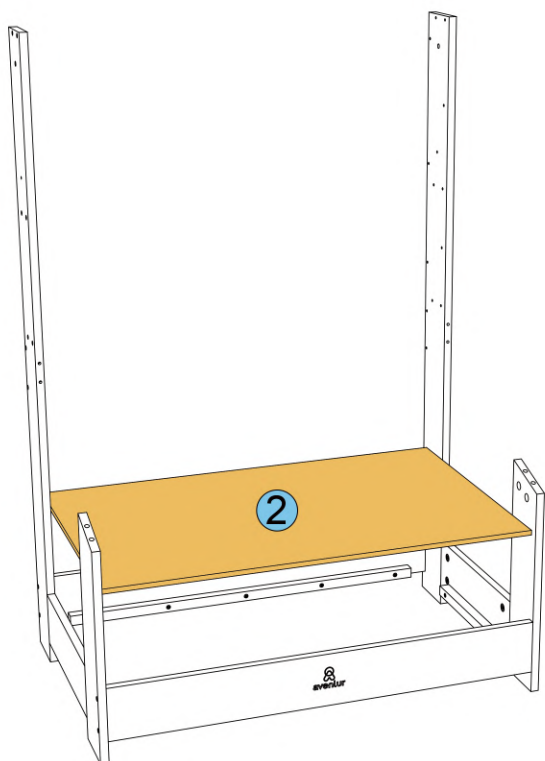


A	 M4x35	8
F	 4mm	1

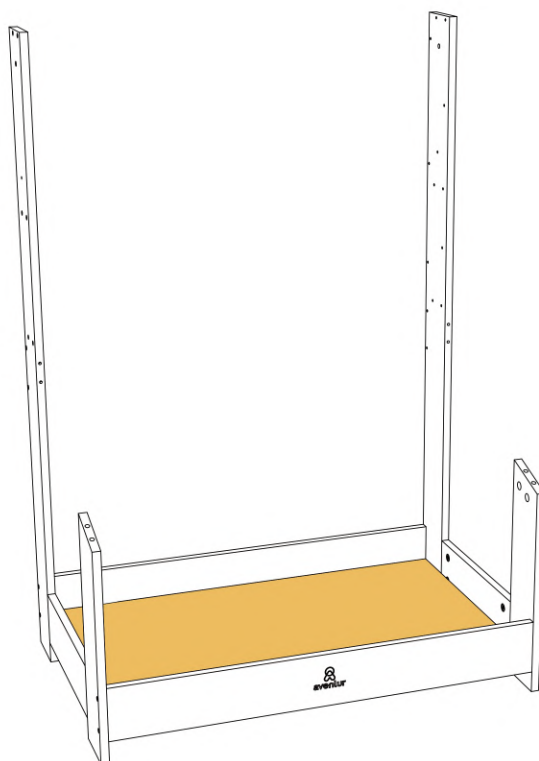
09-2



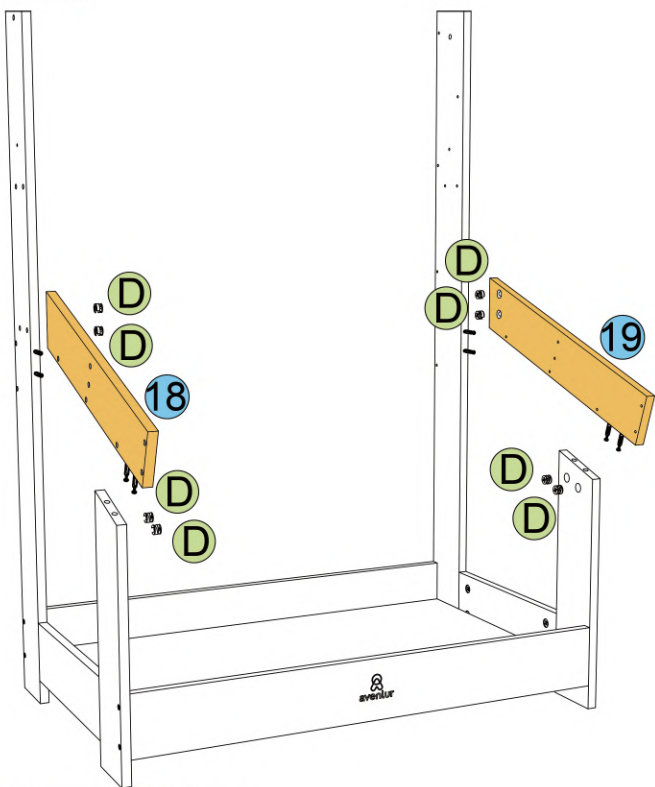
10-1





10-2

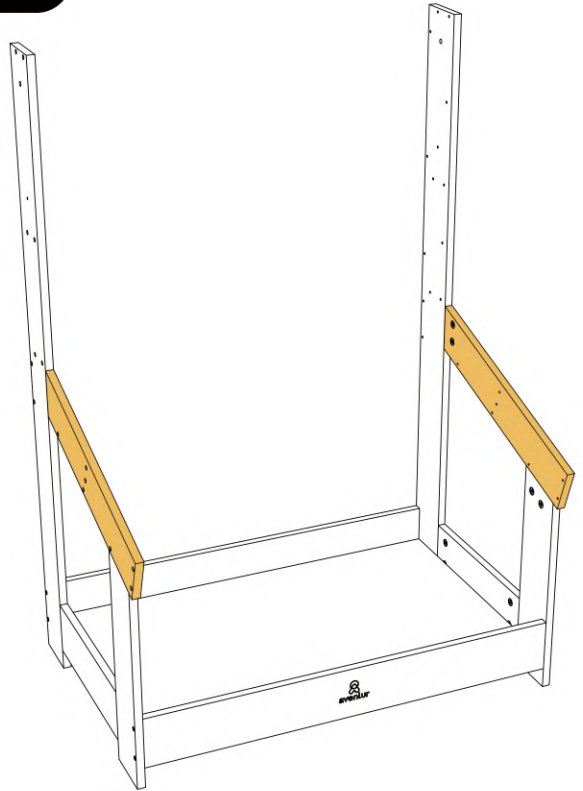


11-1

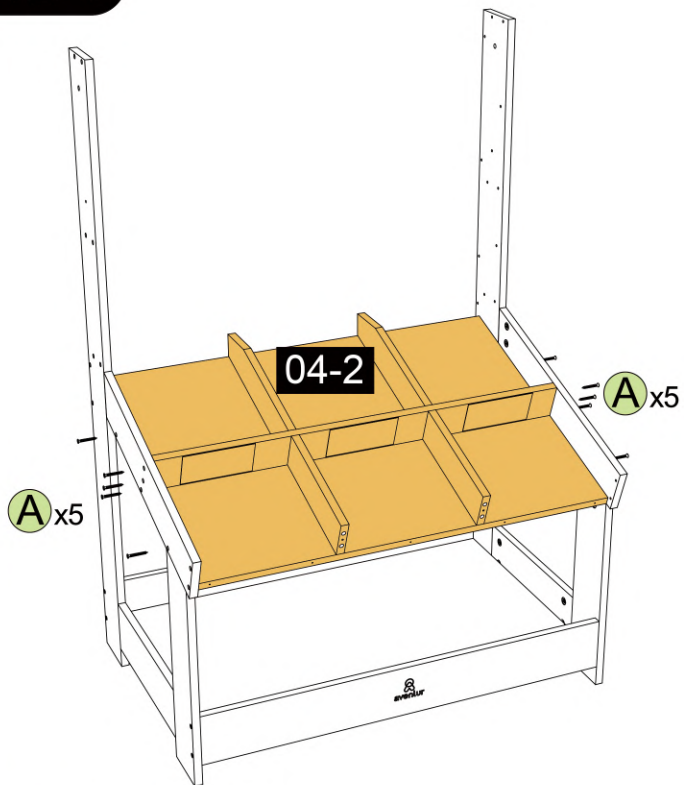




D	 M15x40	8
F	 4mm	1

11-2

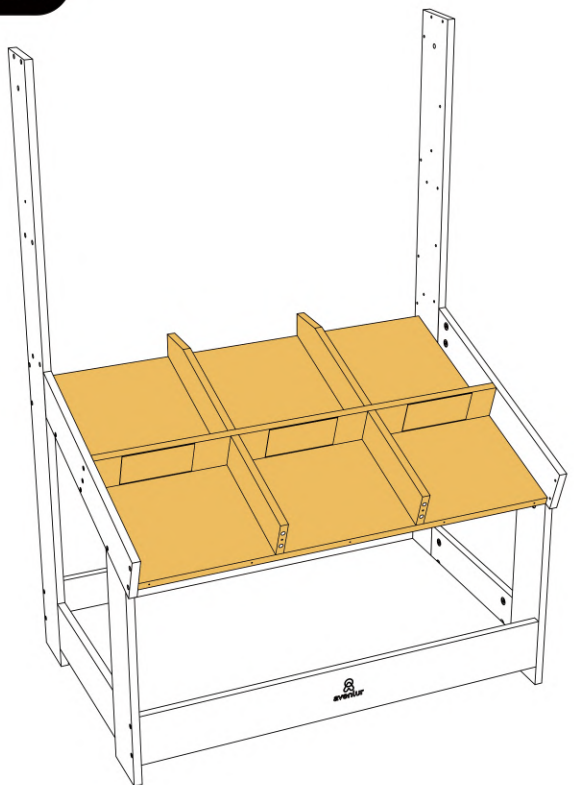


12-1

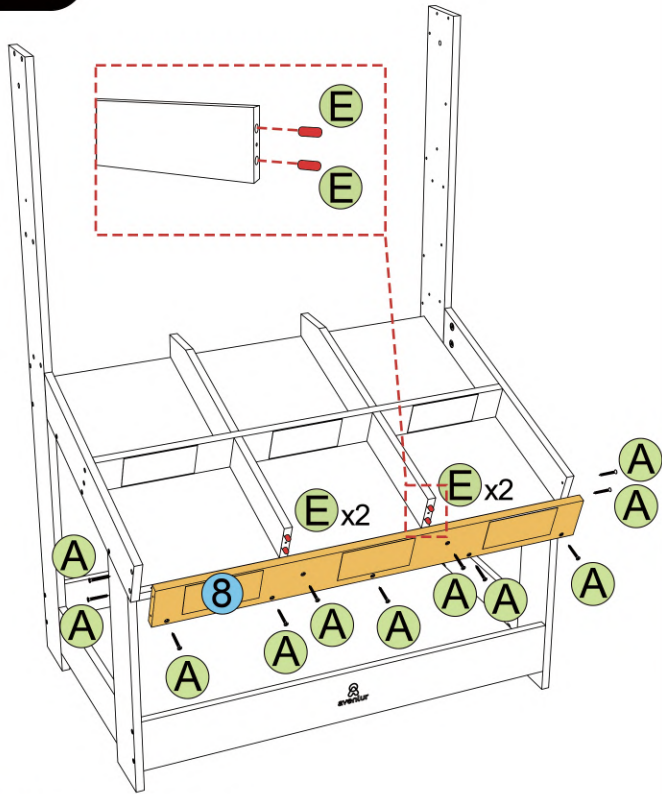



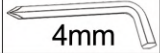
A	 M4x35	10
F	 4mm	1

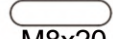
12-2



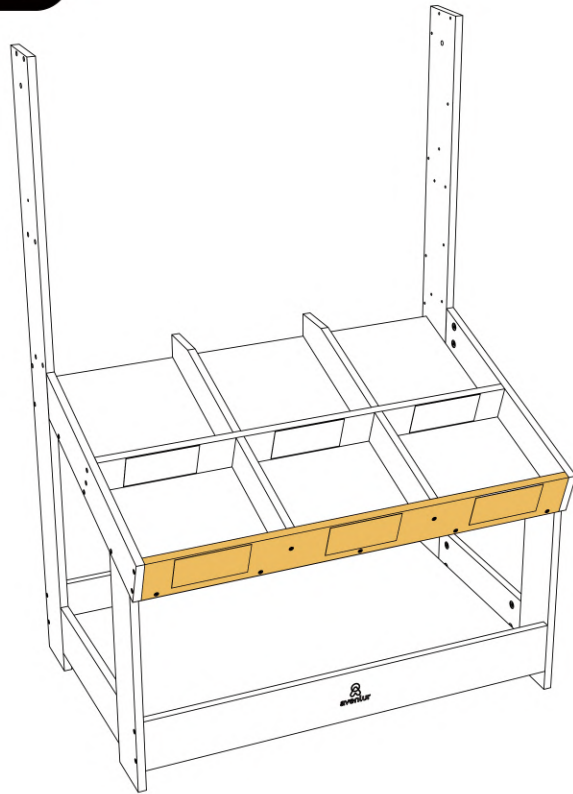
13-1



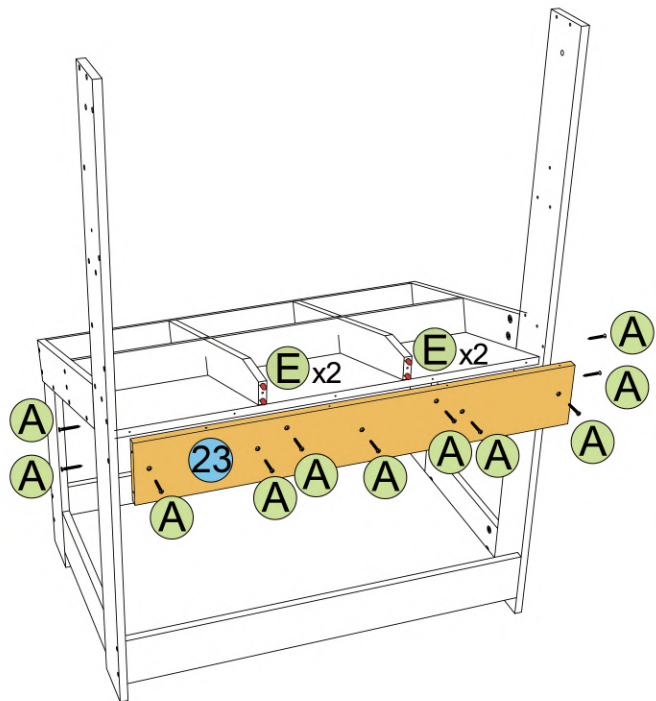
A		M4x35	11
F		4mm	1



E		M8x20	4
----------	---	-------	---

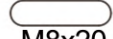
13-2



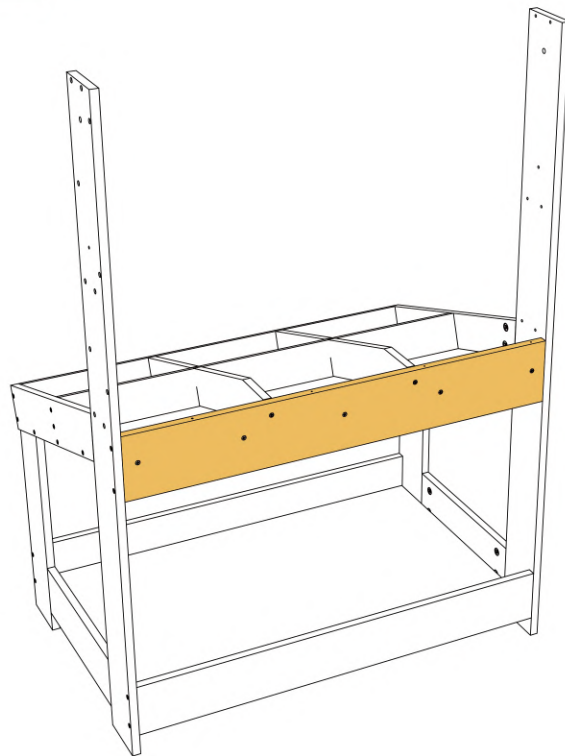
14-1



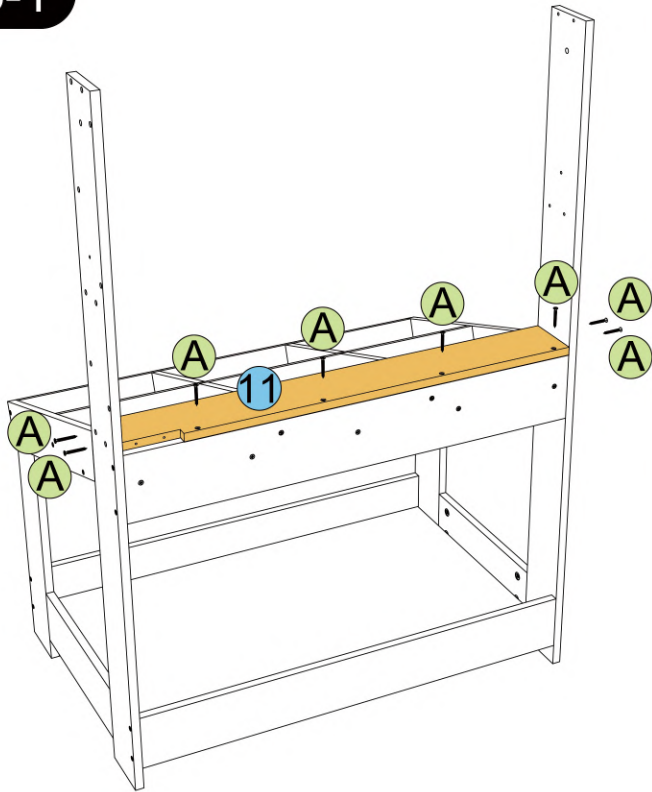
A		M4x35	11
F		4mm	1



E		M8x20	4
----------	---	-------	---

14-2

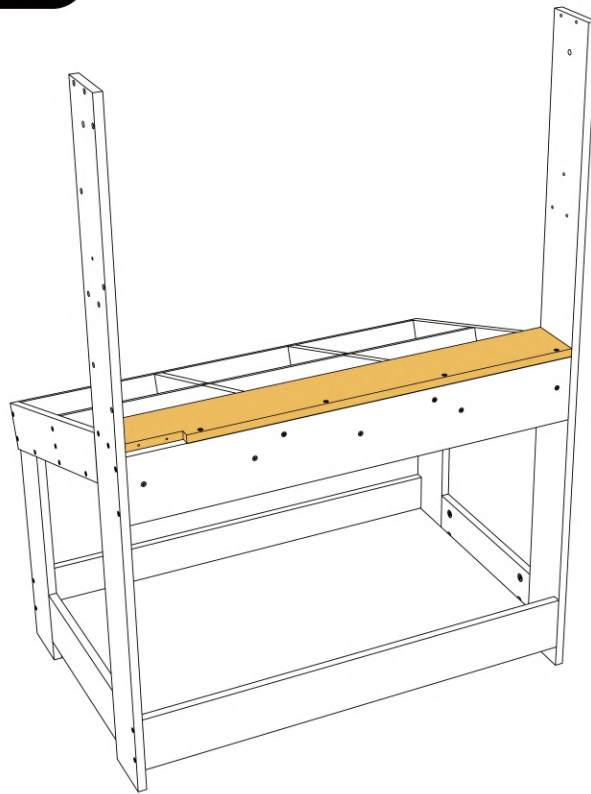


15-1

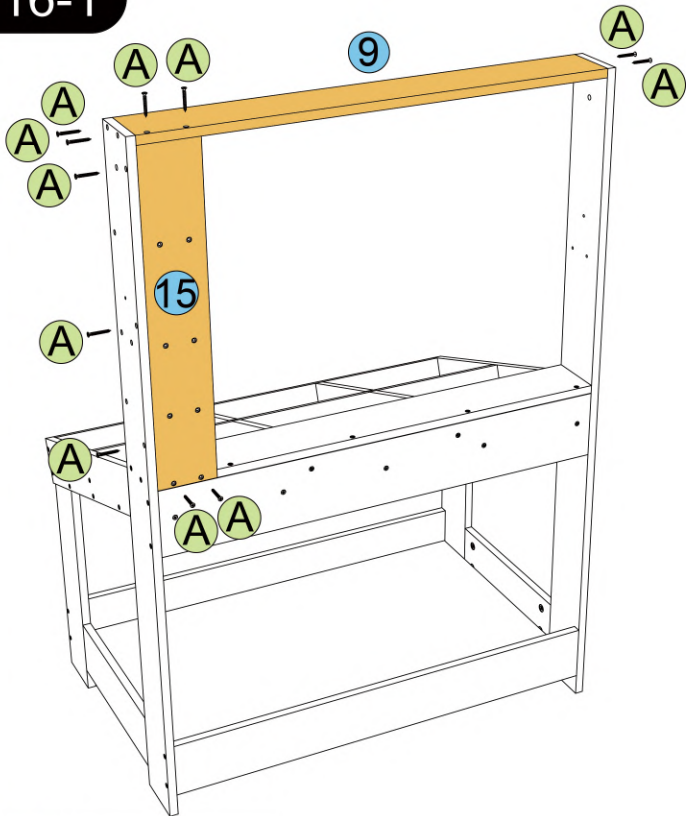



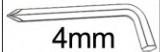
A	 M4x35	8
F	 4mm	1

15-2

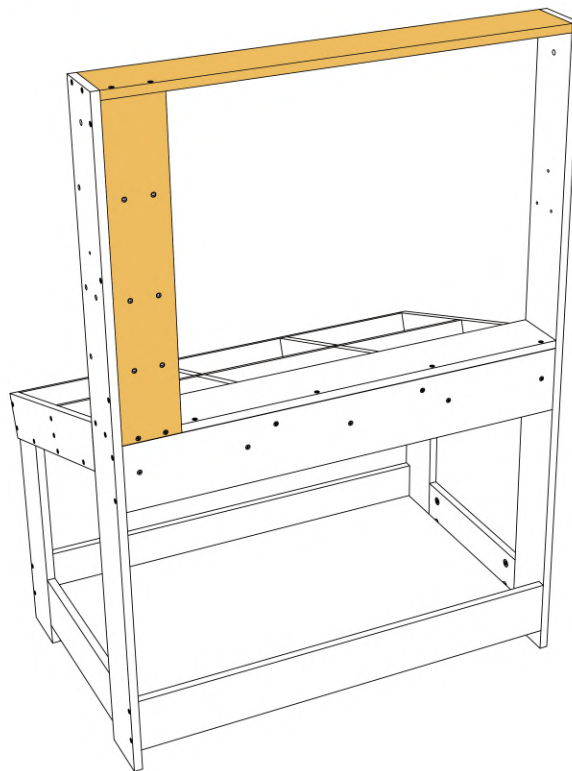


16-1

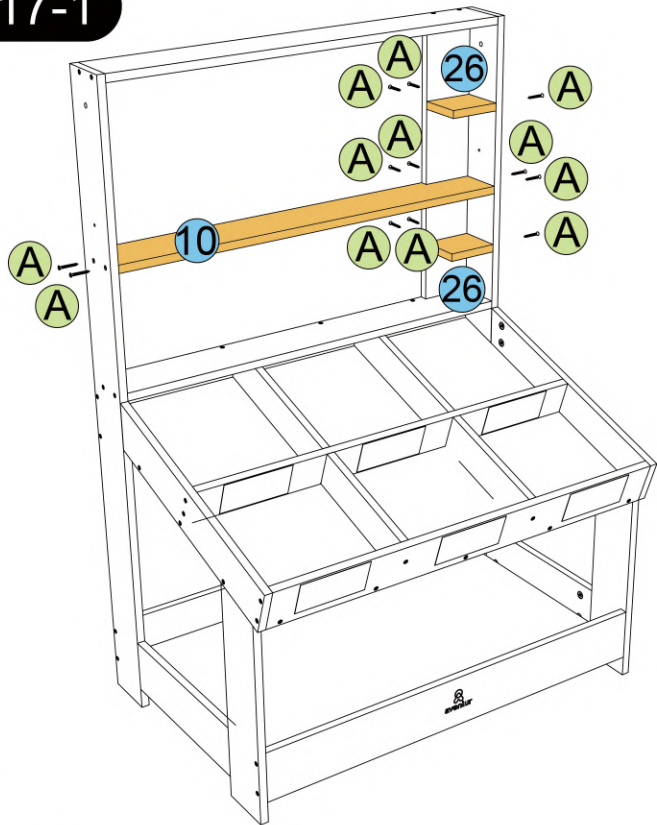



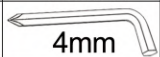
A	 M4x35	11
F	 4mm	1

16-2

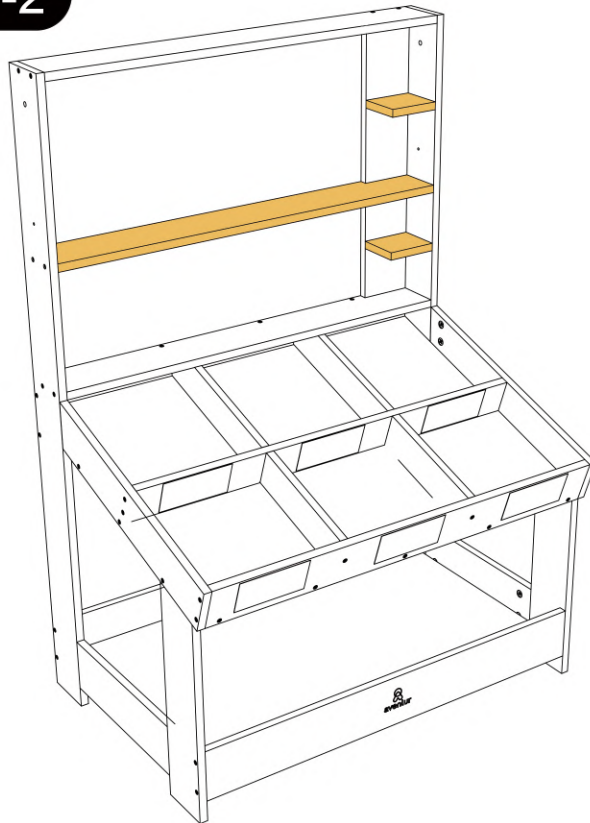


17-1

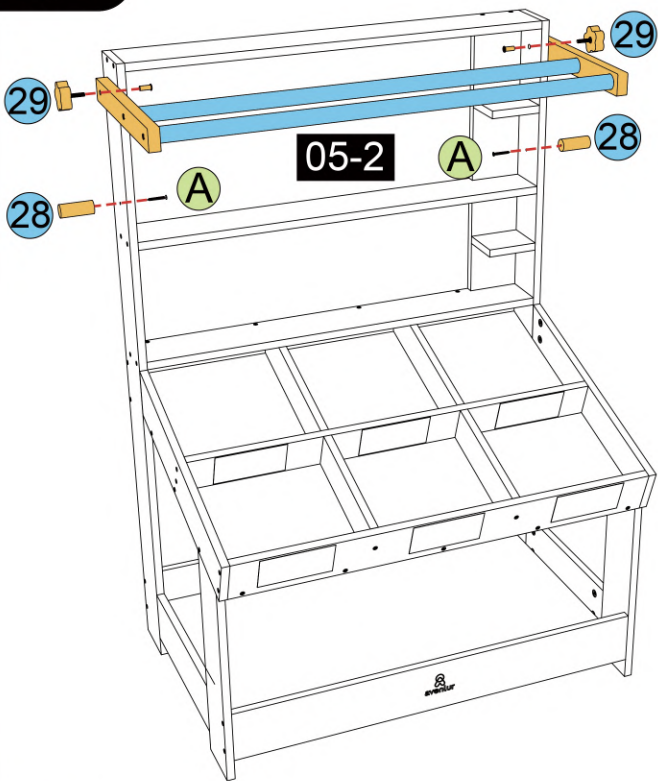



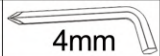
A	 M4x35	12
F	 4mm	1

17-2

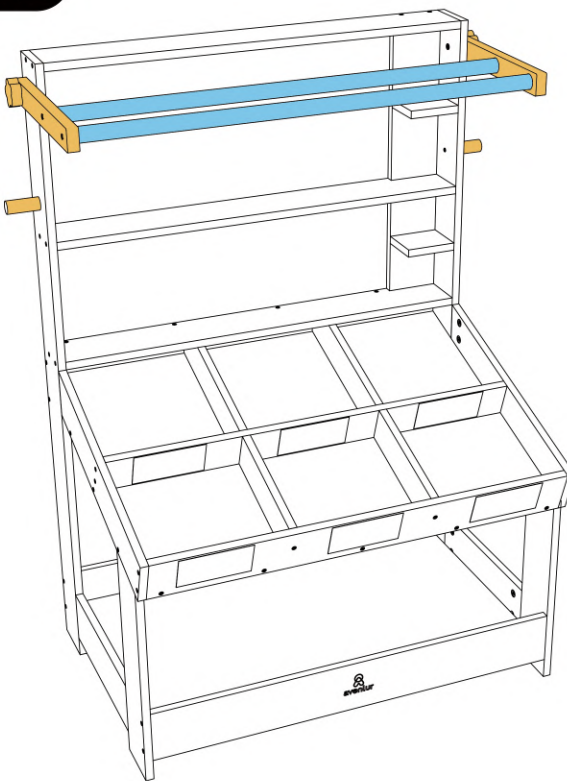


18-1

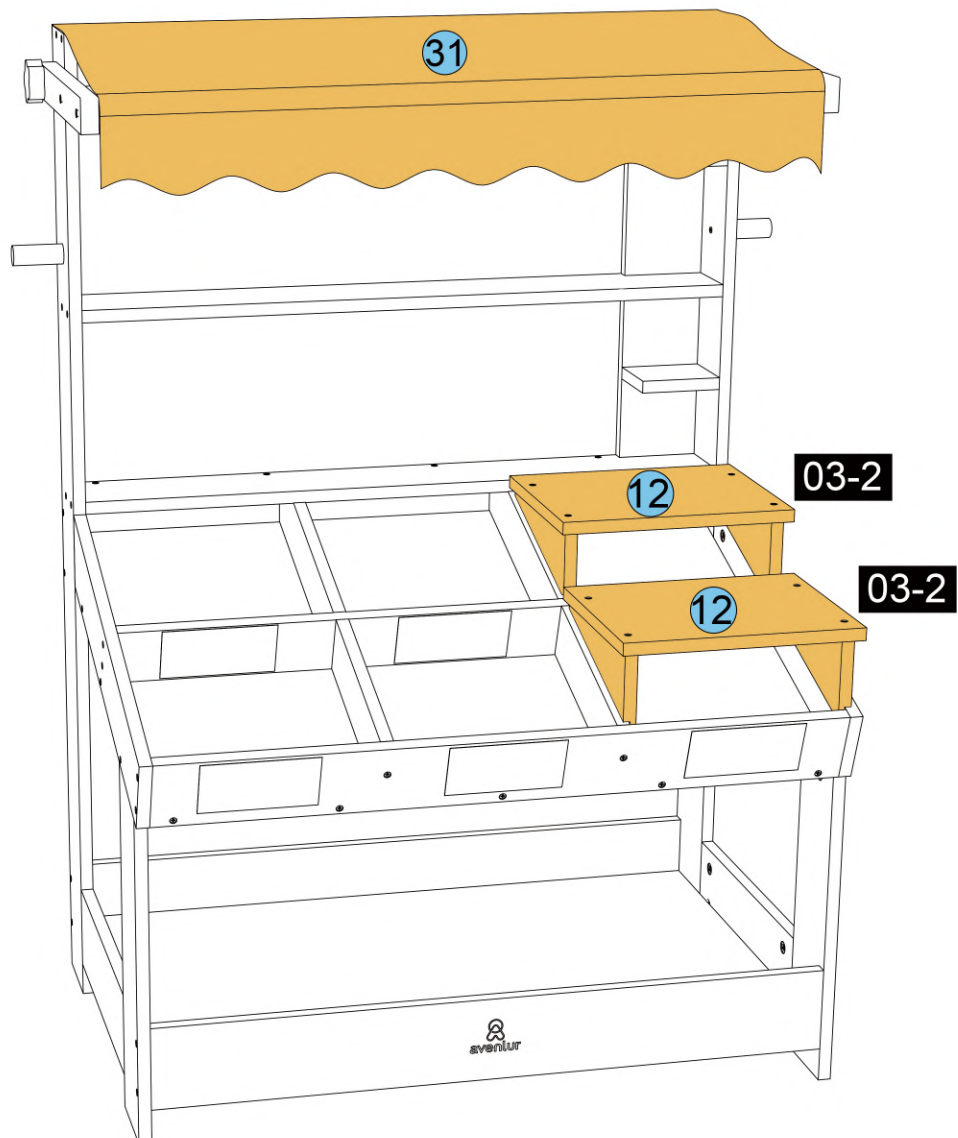
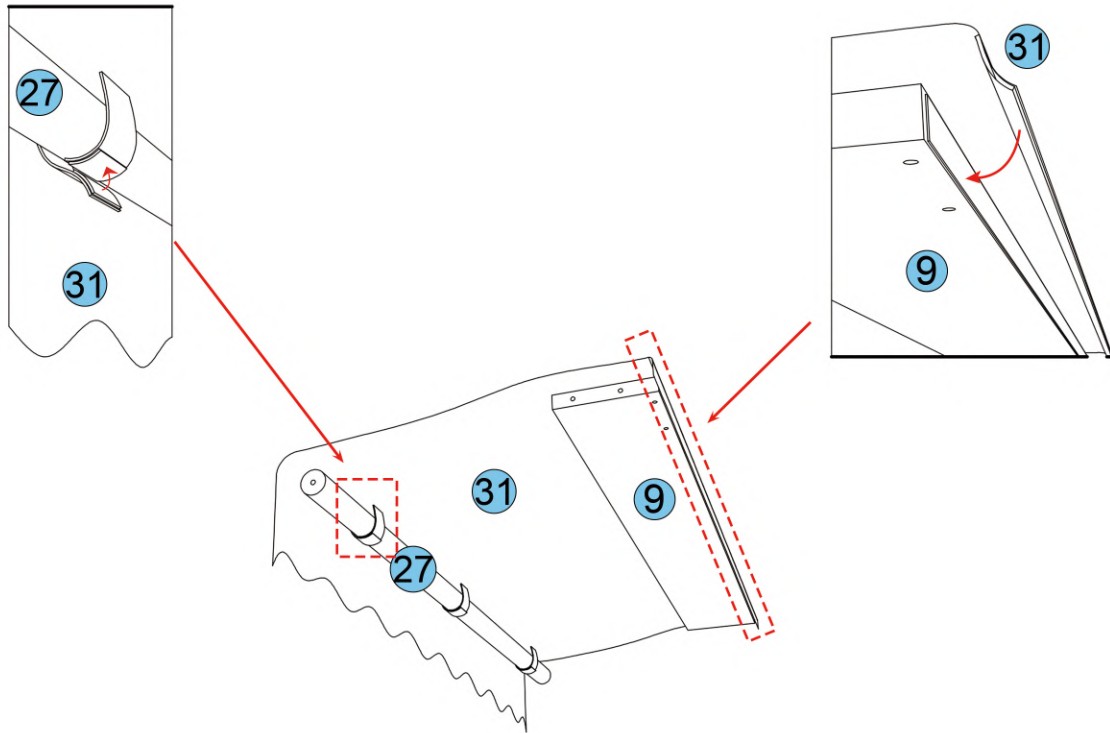


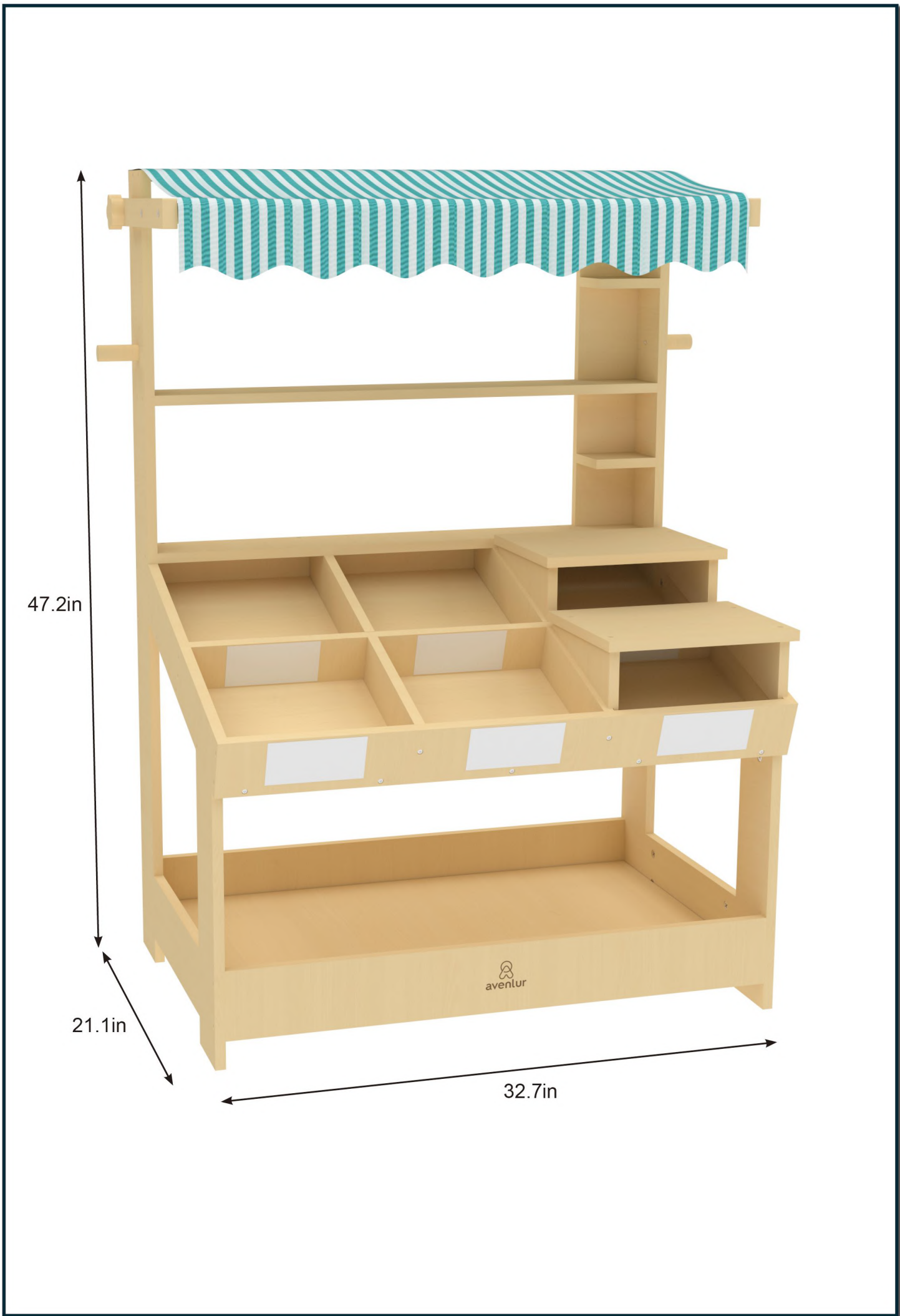
A	 M4x35	2
F	 4mm	1

18-2



Note: Check all connections and bolts for tightness at least twice monthly during use. Do not use if screws are loose.





47.2in

21.1in

32.7in

aventur