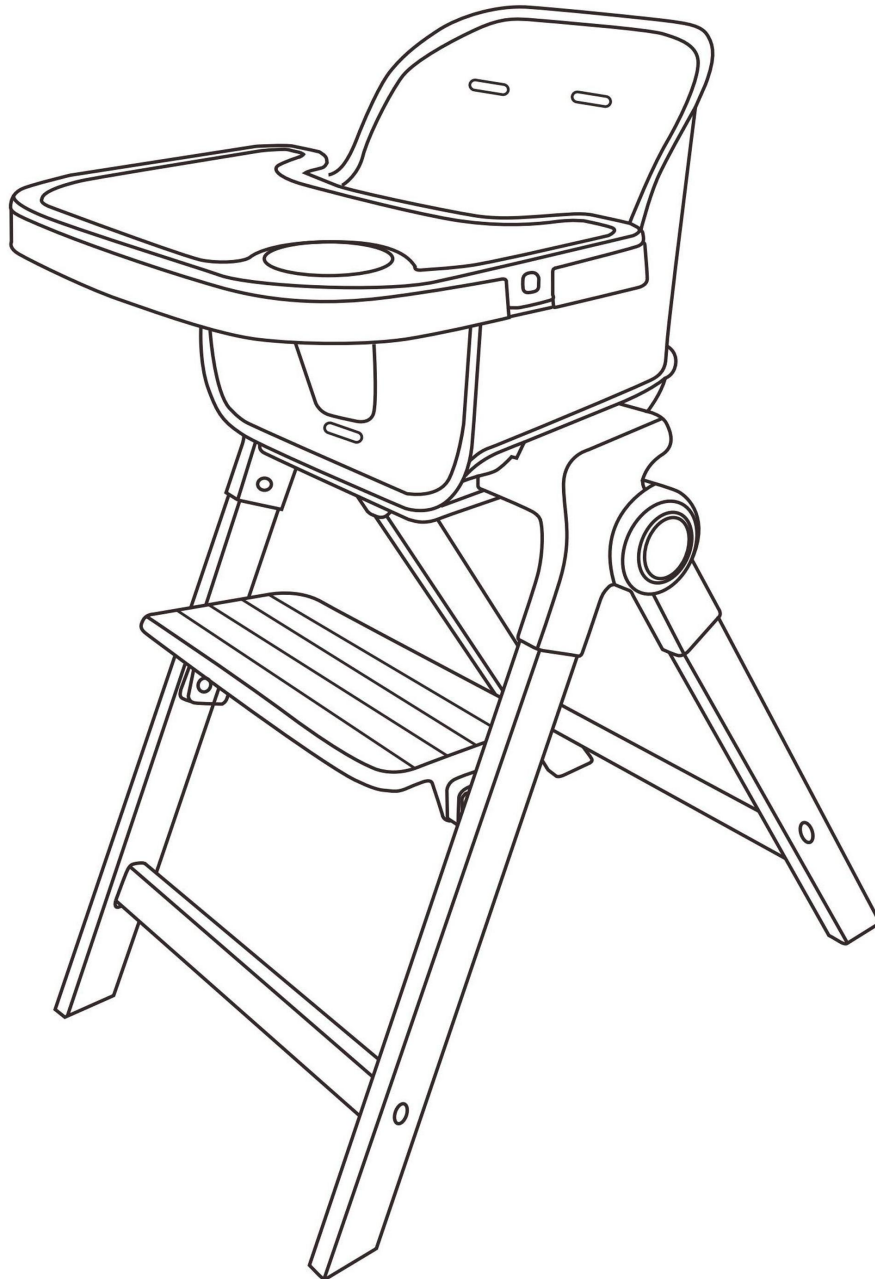


# avenlur

## Clover by Avenlur



**Need Help?**

CALL US AT 888.697.3931 / M-F 9AM - 5PM PT (12PM - -8PM ET)

OR EMAIL US AT [INFO@AVENLUR.COM](mailto:INFO@AVENLUR.COM)

**The product is suitable for children under 3 years old or weighing less than 15kgs who can sit up independently.**

## **IMPORTANT! KEEP FOR FUTURE REFERENCE: READ CAREFULLY.**



### **WARNING**

1. Never leave the child unattended.
2. Always use the restraint system.
3. Falling hazard: prevent your child from climbing on the product.
4. Do not use the product unless all components are correctly fitted and adjusted.
5. Be aware of the risk of open fires and other sources of strong heat in the vicinity of the product.
6. Be aware of the risk of tilting when your child can push its feet against a table or any other structure.
7. Please ensure that the high chair has been assembled correctly by following the instruction sheet provided. Failure to do so can cause harm to your child.
8. Do not use the product until the child can sit up unaided.
9. Do not use the product if any part is broken, torn, or missing.
10. Please always use the chair on a flat, even surface.
11. The chair must not be used as a toy.
12. Do not allow your child to stand up while in the high chair.
13. Ensure your high chair is fully erected before placing your child inside.
14. Regularly check all parts for wear or damage.
15. Please keep this manual for further reference.
16. Please ensure that the high chair is assembled by an adult.
17. Always use the chair attachment system and ensure it is correctly fitted before use.

18. Always check the security and the stability of the chair mounted seat on the adult chair before use.
19. Do not use this chair mounted seat on stools or benches.
20. Prevent serious injury or death. Do not use in motor vehicles.
21. Until child is able to get in and out of the booster seat without help (about 2 1/2 years old), the child should be secured in the booster seat at all times by the restraining system. The tray is not designed to hold the child in the chair.
22. Use this product only for children capable of sitting upright unassisted.
23. Ensure that the adult chair with the chair mounted seat is placed in a position where the child is not able to use its feet to push against the table or any other structure as this can cause the tip over of the adult chair supporting the chair mounted seat.
24. Do not use accessories or replacement parts other than those approved by the manufacturer.

**FALL HAZARD: Children have suffered severe head injuries including skull fractures when falling from high chairs. Falls can happen suddenly if child is not restrained properly.**

Always use restraints, and adjust to fit snugly.

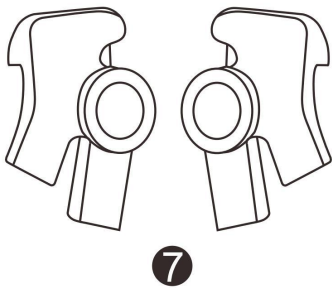
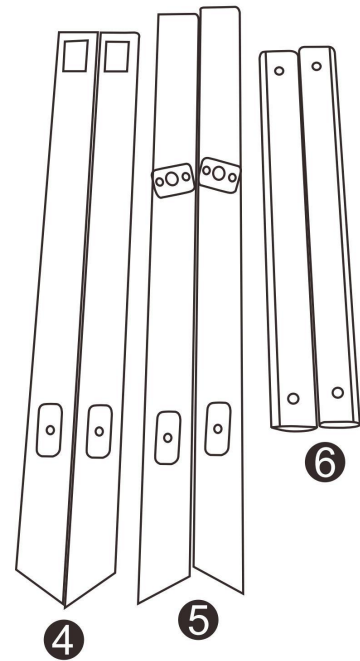
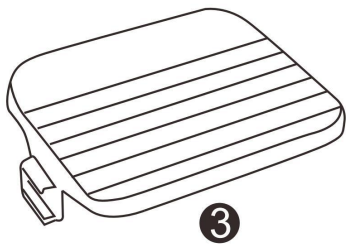
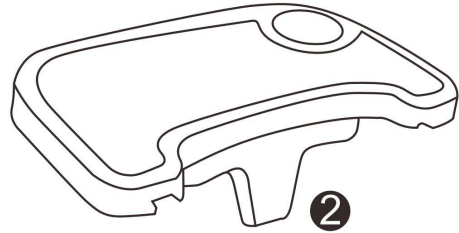
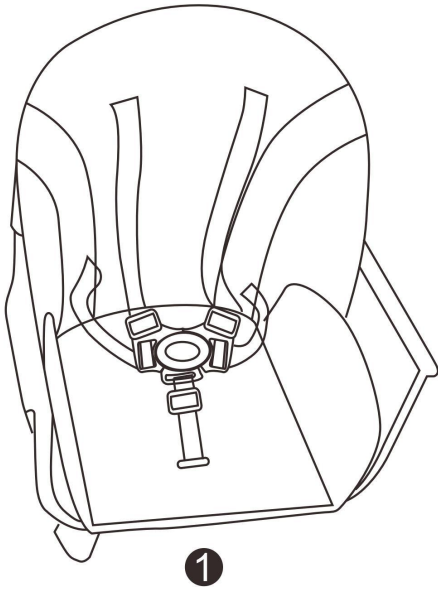
Tray is not designed to hold child in chair.

Stay near and watch child during use.

## **CLEANING & CARE**

1. Clean all fabrics with warm water and mild soap. Let them dry.
2. Heavy dirty spots clean with non abrasive cream.
3. Oil all movable parts regularly.

# Product Accessories

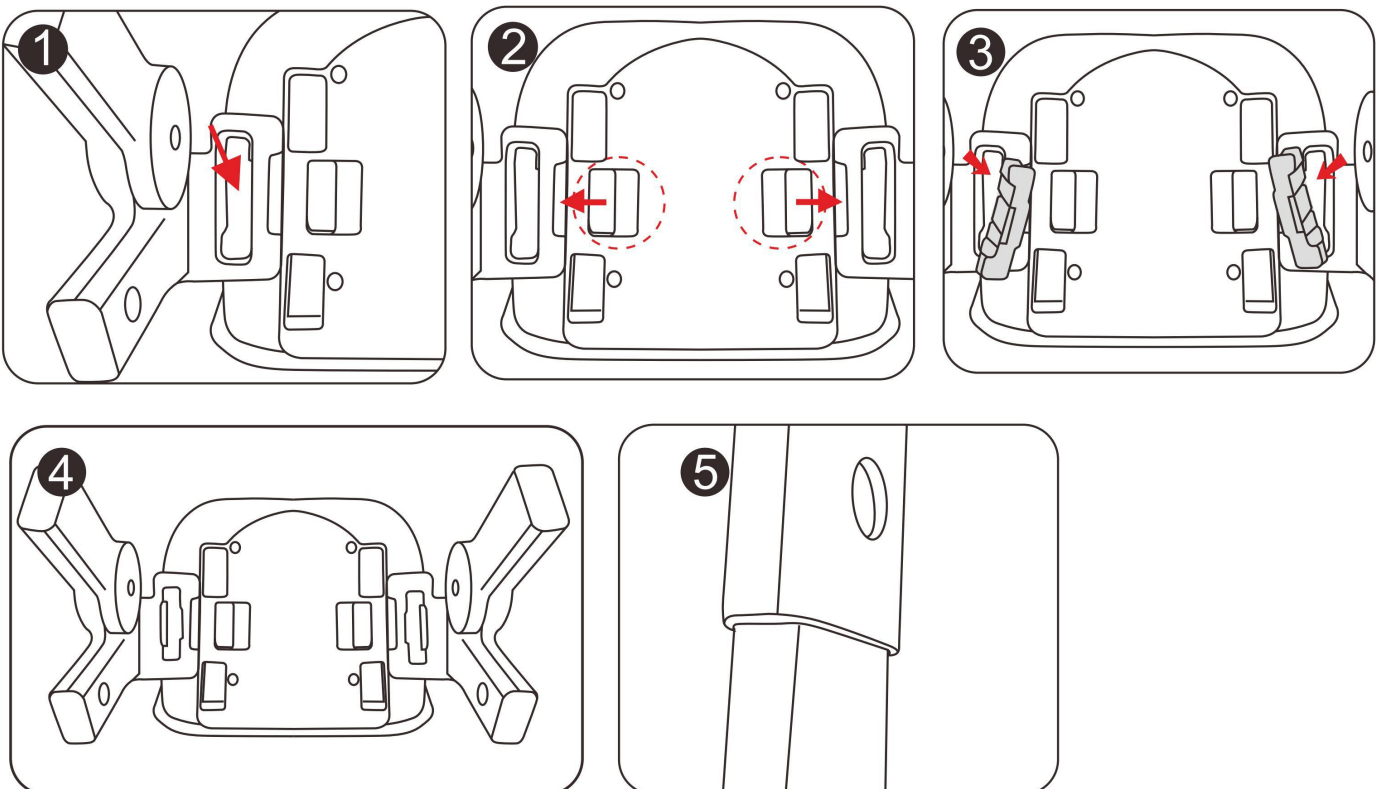


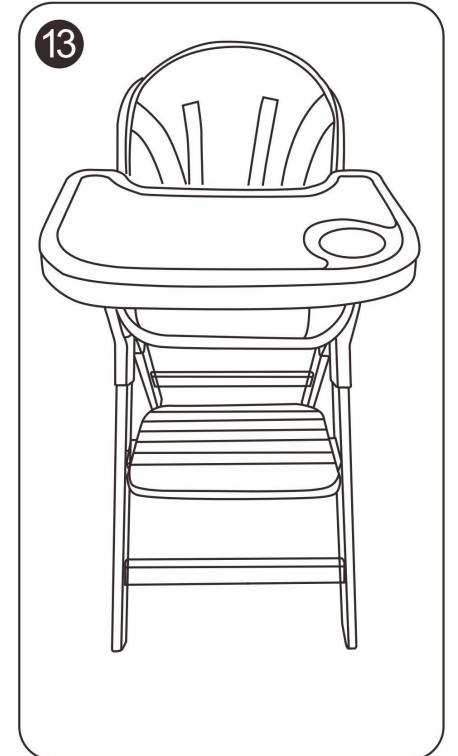
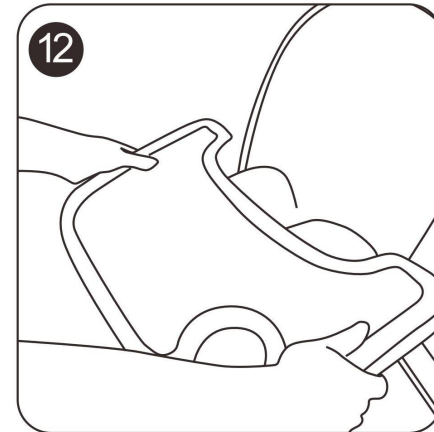
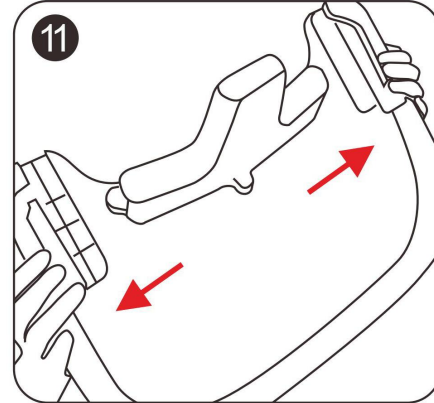
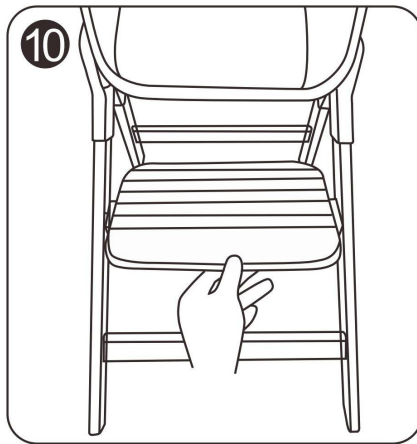
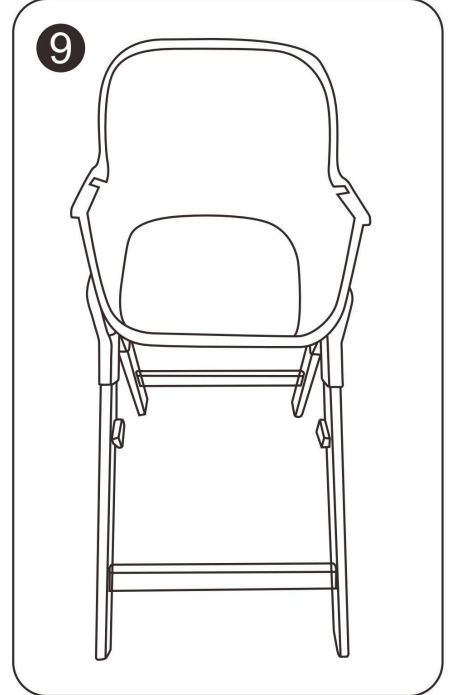
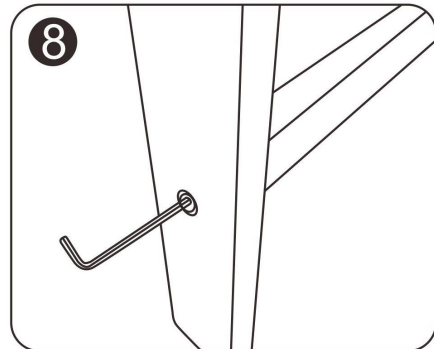
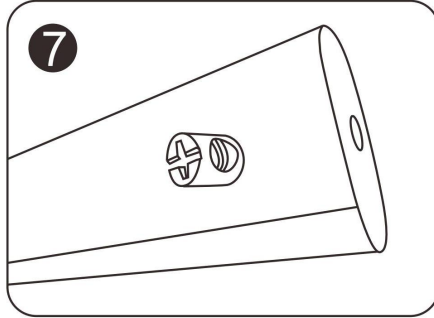
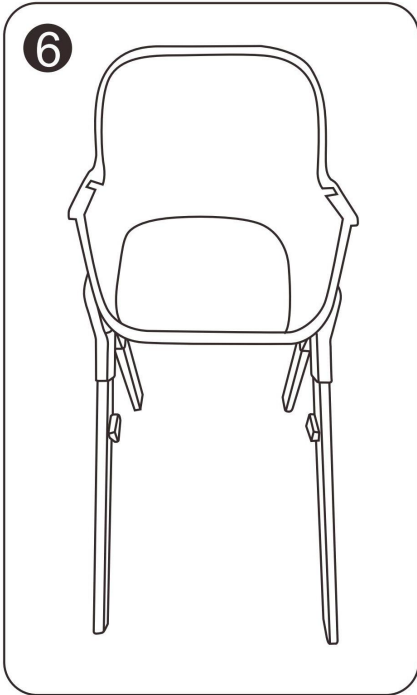


No.	Name	Qty
1	Main Body	1
2	Tray	1
3	Footplate	1
4	Rear Leg (Left & Right)	2
5	Front Leg (Left & Right)	2
6	Crossbar	2
7	Folding Pieces (Left & Right)	2
8	Dowel Nut	5
9	Bolt M6*50	5
10	Hex Wrench	1
11	Seat Clasp	2

# Product Installation

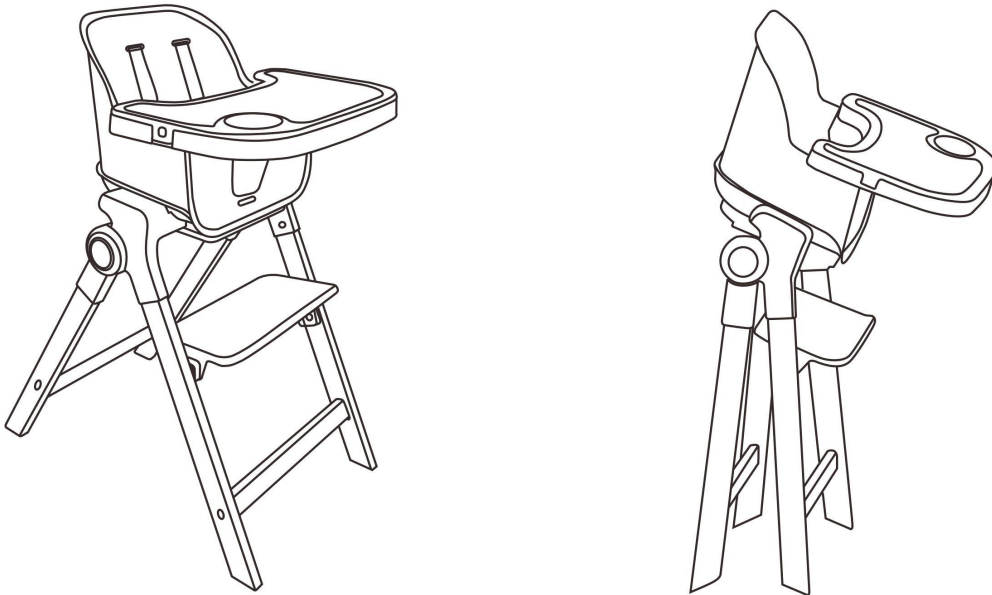
1. Adjust the folding pieces so that the rotating parts face the backrest, then insert them into the bottom of the seat pocket.
2. Confirm that the bottom buttons of the seat pocket have locked the folding piece parts in place.
3. Insert the seat clasps into the bottom of the seat to secure the folding pieces.
4. Folding piece installation completed.
5. Insert the legs into the folding pieces.
6. Leg installation completed.
7. Align the dowel nut holes with the crossbar holes, then insert the dowel nut into the crossbar.
8. Use the hex wrench to secure the legs and crossbar with bolt M6\*50.
9. Main body installation completed.
10. Insert the footplate.
11. Press down both buttons at the bottom of the tray with two hands.
12. Insert the tray into the seat.
13. High chair installation completed.





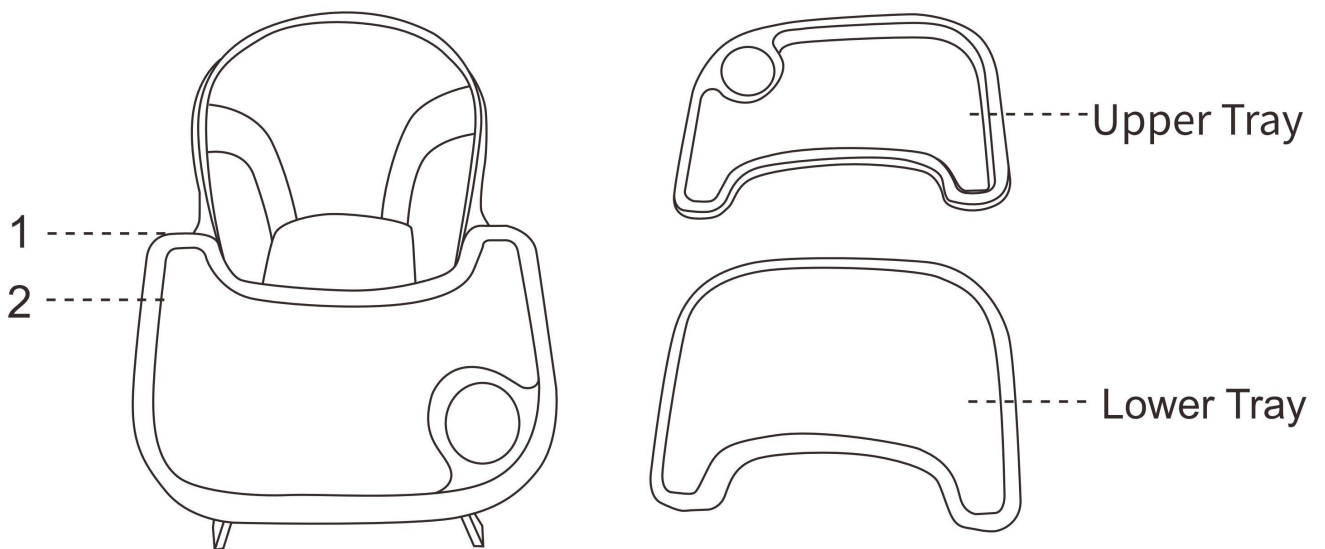
# Product Adjustment

## 1. Easy Fold-Up for Storage



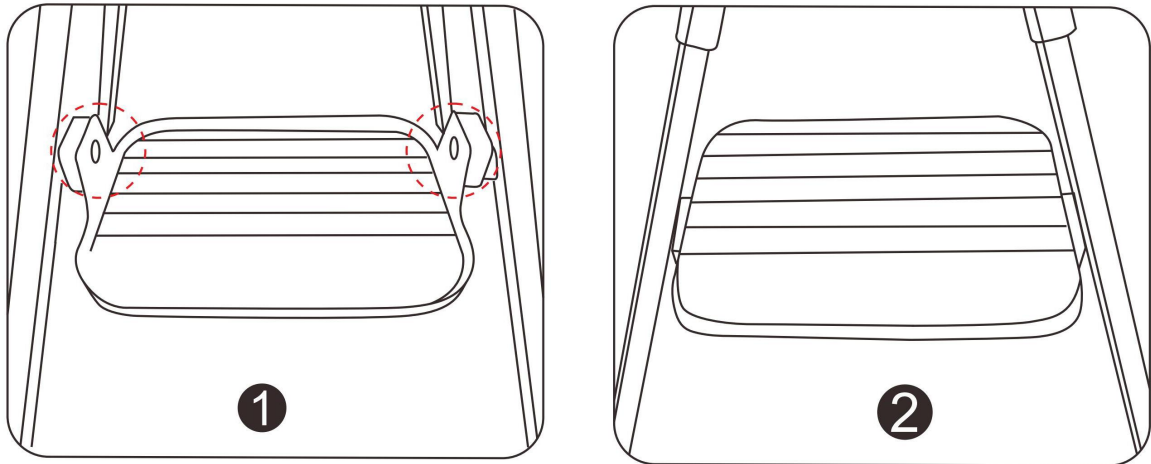
Press the 2 folding buttons to fold.

## 2. 2-Position Removable Double tray



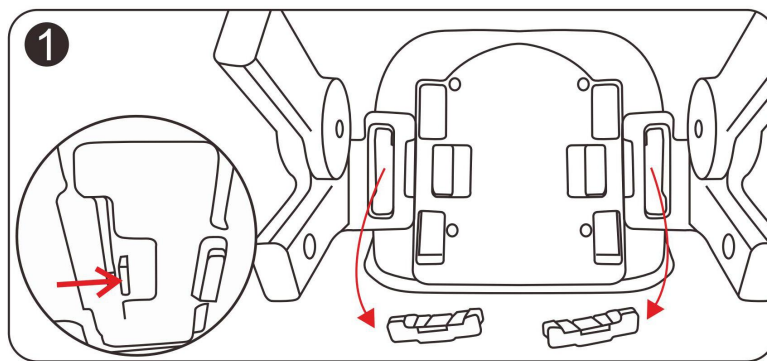


### 3. 2-Position Footrest



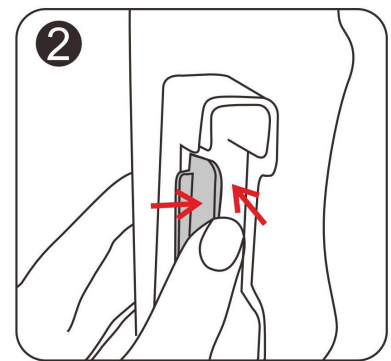
Press buttons on both sides to adjust footrest to the other position.

### 4. Booster Mode



Push in

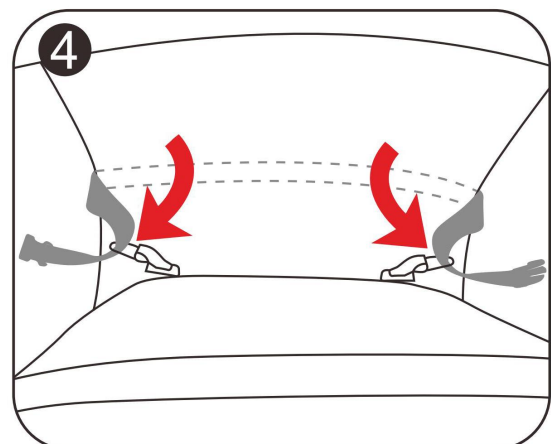
Remove the two clasps.



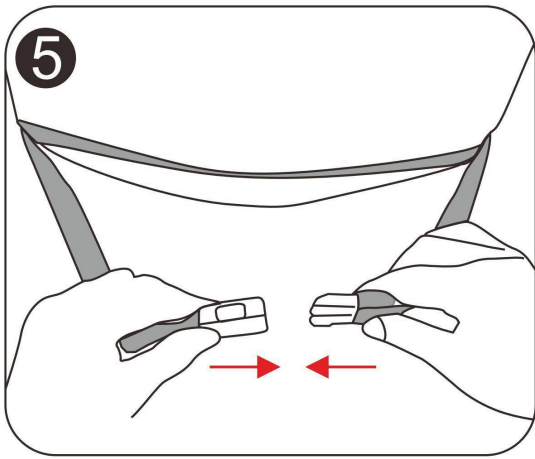
Push the locking clips inwards to release the seat.



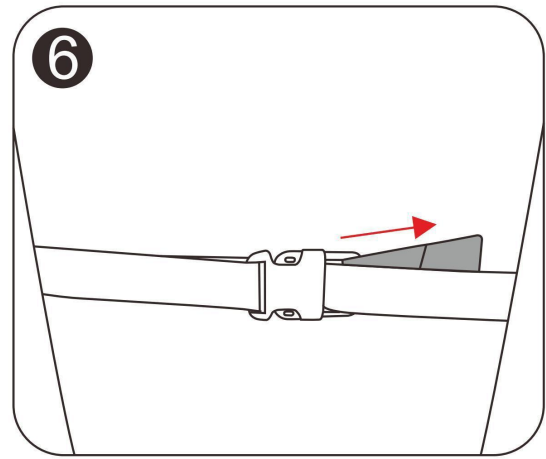
Place the seat on another adult chair, get ready the illustrated seat belt.



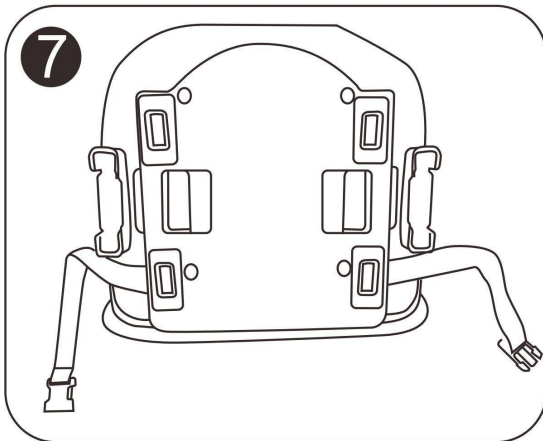
Thread the seat belt through the two D-shaped buckles on the back of the seat.



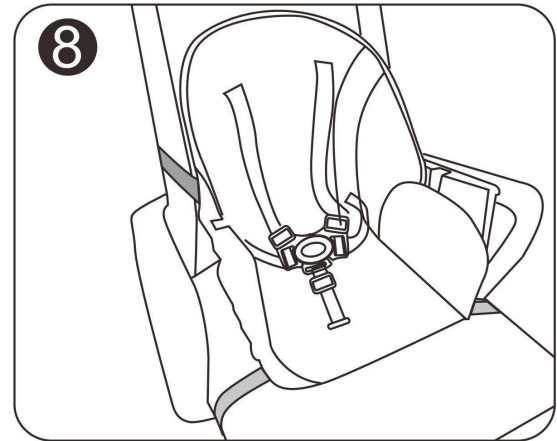
Fasten the seat belt behind the back of the adult chair.



Tighten the belt to secure it.

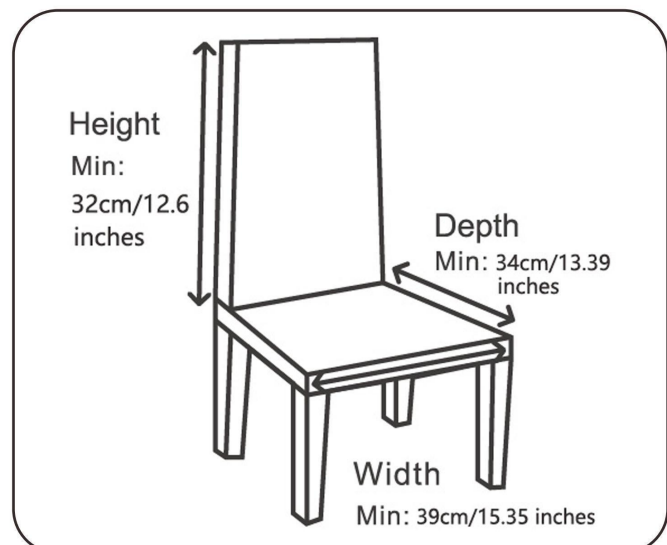


Take the two belts with the rectangular buckles. Insert each buckle through the bottom holes. Fasten and tighten the belts to secure the booster seat firmly to the adult chair.

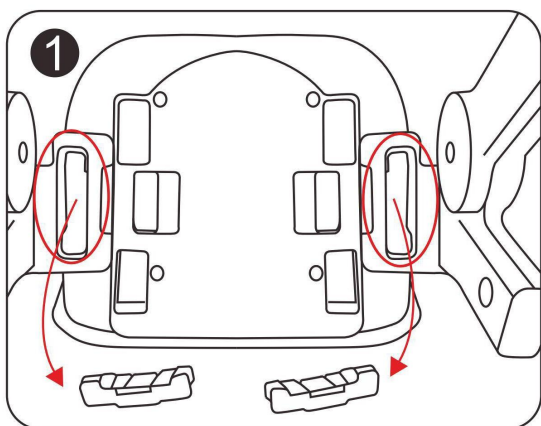


The booster seat function is now set up.

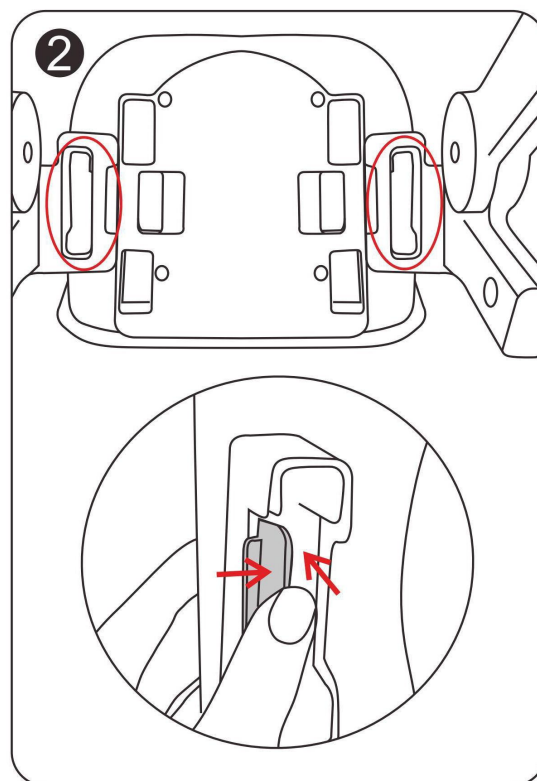
## Minimum chair size



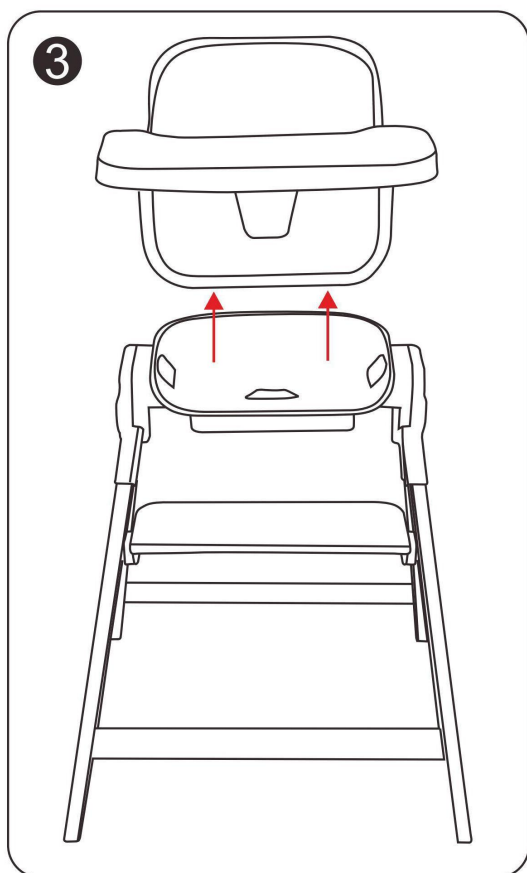
## 4. Adult Stool Mode



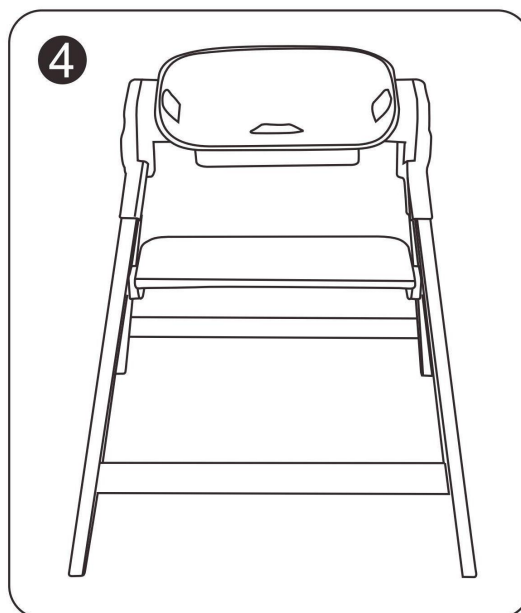
Remove the clasps from the bottom of the seat.



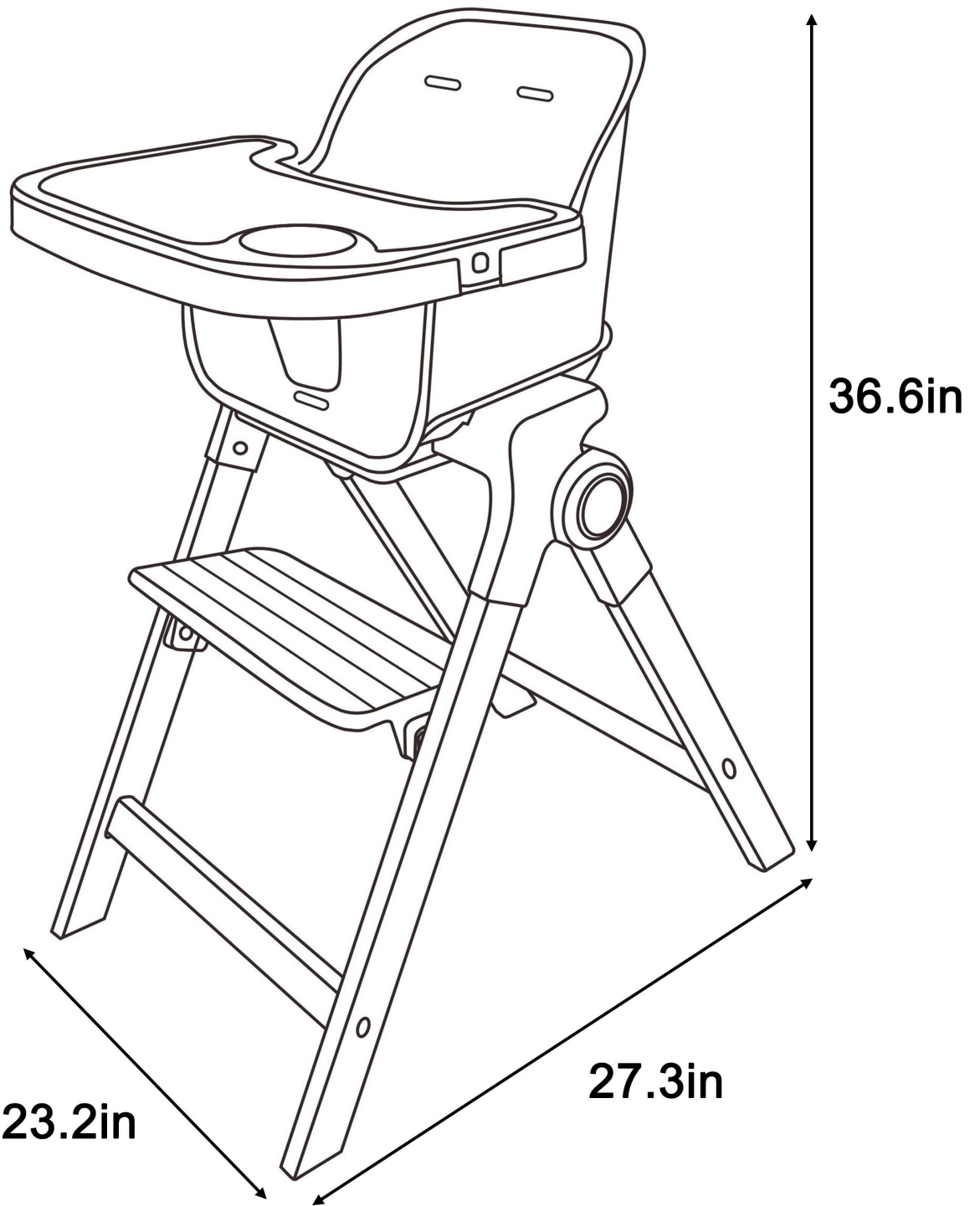
Push the locking clips inwards to release the seat.



Remove the seat.



The assembly of the adult stool is finished.



23.2in

27.3in

36.6in