

avenlur

Balis by Avenlur



Need Help?

CALL US AT 888.697.3931 / M-F 9AM - 5PM PT (12PM - -8PM ET)

OR EMAIL US AT INFO@AVENLUR.COM

V4

WARNING

Adult assembly required.


WARNING

Maximum user weight: 88 lbs (40kg) per child.

WARNING

CHOKING HAZARD:

Adult assembly required. Keep small assembly parts out of reach of children.

 Use under adult supervision.

OBSERVE ALL STATEMENTS AND WARNINGS TO REDUCE THE LIKELIHOOD OF SERIOUS OR FATAL INJURY. SAVE THIS SHEET FOR FUTURE REFERENCE.

OPERATION INSTRUCTIONS

1. An adult should always supervise use of this product by children of all ages.
2. Maximum weight per user: 88lbs(40kg).
3. Instruct children not to attach items to the playground equipment that are not specifically designed for use with the equipment (examples: ropes, clothesline, pet leashes, cables and chain, etc) as they may cause a strangulation hazard or any other hazard.
4. Never allow children to use the equipment in a manner other than intended.

MAINTENANCE INSTRUCTIONS

1. Inspect the product periodically for loose or damaged components. **Tighten bolts if need.**
2. Check all connections and bolts for tightness at least twice monthly during the usage.
3. Check all coverings and bolts for sharp edges.

INSTALLATION INSTRUCTIONS

Please have an electrical drill available for assembly if possible.

If you have difficulty in installation, please contact us for help and get installation video for reference.

Please Ensure:

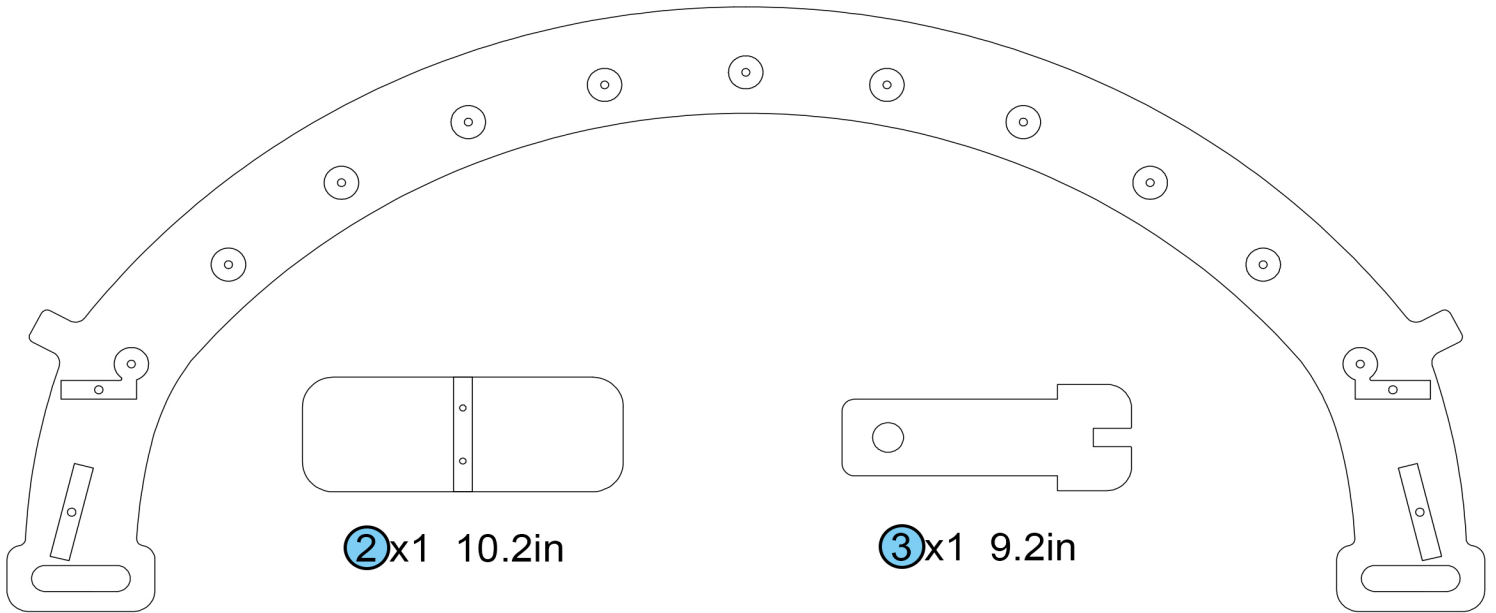
1. You are assembling with at least two people to ensure that all sides and parts are leveled.
2. You don't screw the parts in too hard or it will splinter the wood.
3. You follow the directions carefully.

CONTACT US BEFORE ASSEMBLY

If you have assembly questions or if you need parts
whether they are missing or damaged

Call us at 888-697-3931 or email us at

info@Avenlur.com



①x2 47.2in

②x1 10.2in

③x1 9.2in

⑤x2 5.4in

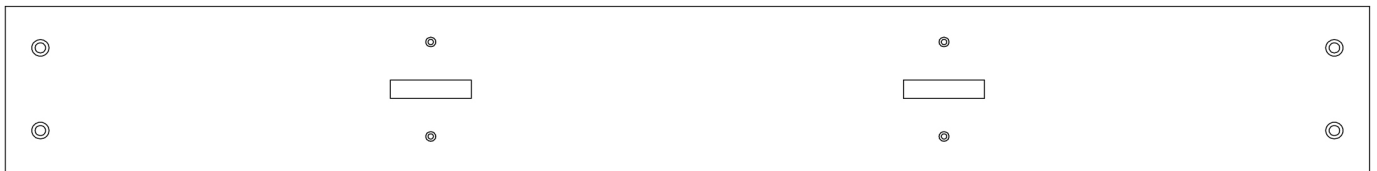
④x11 18.6in

⑥x2 10.2in

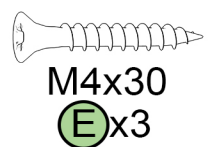
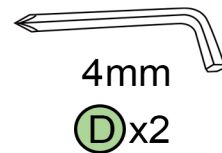
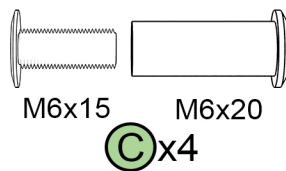
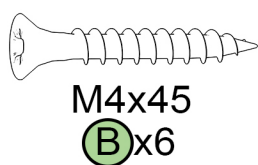
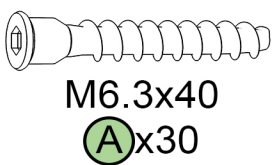
⑦x1 9.2in

⑧x2 18.6in

⑨x2 18.6in

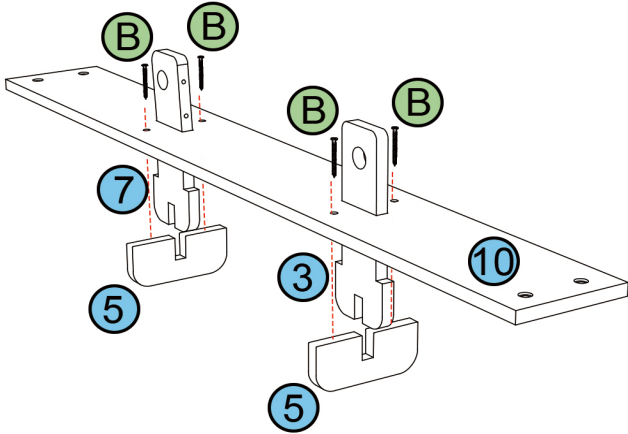


⑩x1 43.5in



01-1

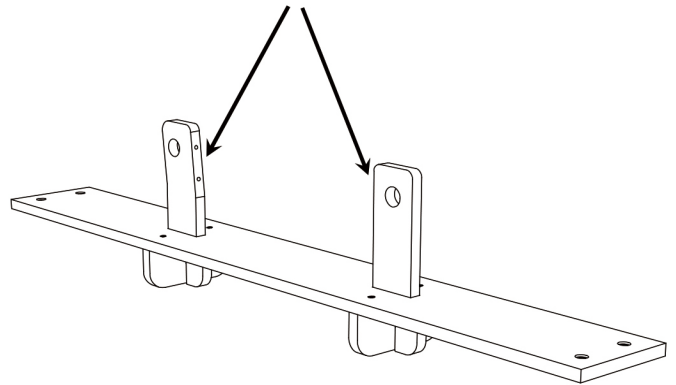
Note: Pay attention to all the black bubbled section markers. The manual may refer back to those later



| | | |
|----------|---|---|
| B |  M4x45 | 4 |
|----------|---|---|

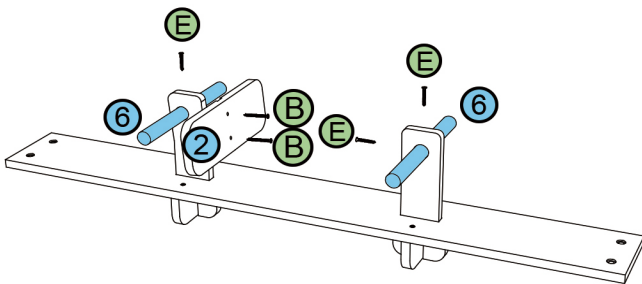
01-2



Note: The screw holes are on the side pointed by the arrow



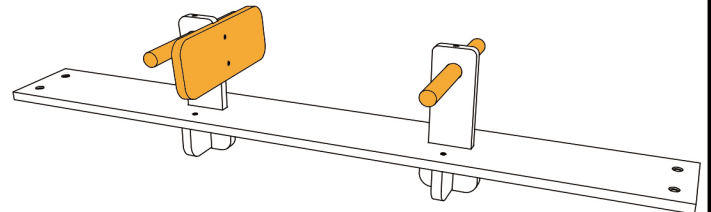
02-1

Note: Before attaching parts **6** with screws **B** and **E**, please make sure parts **6** are in the middle of part **7** and **3**

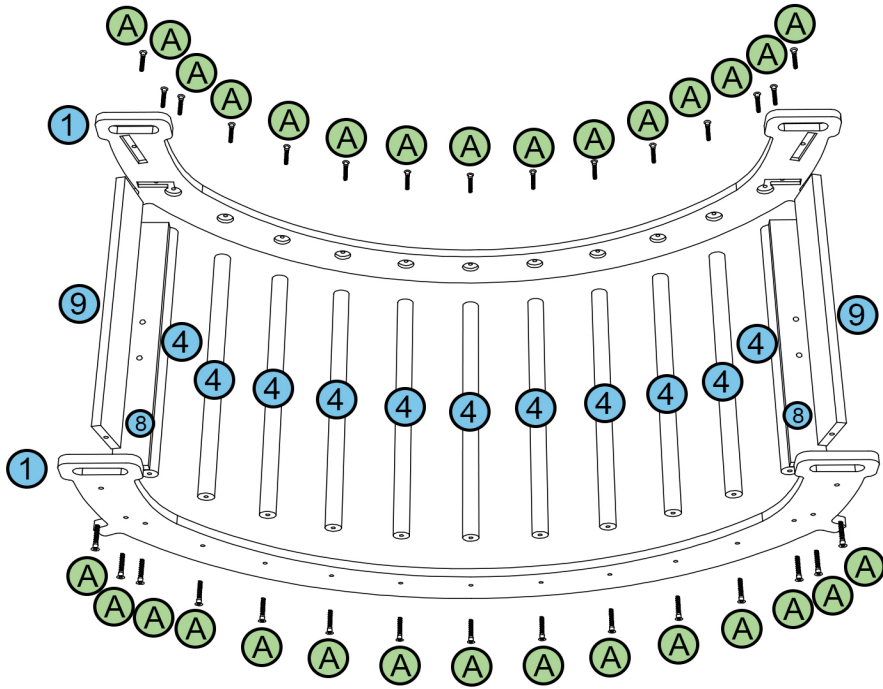


| | | |
|----------|---|---|
| B |  M4x45 | 2 |
| E |  M4x30 | 3 |

02-2

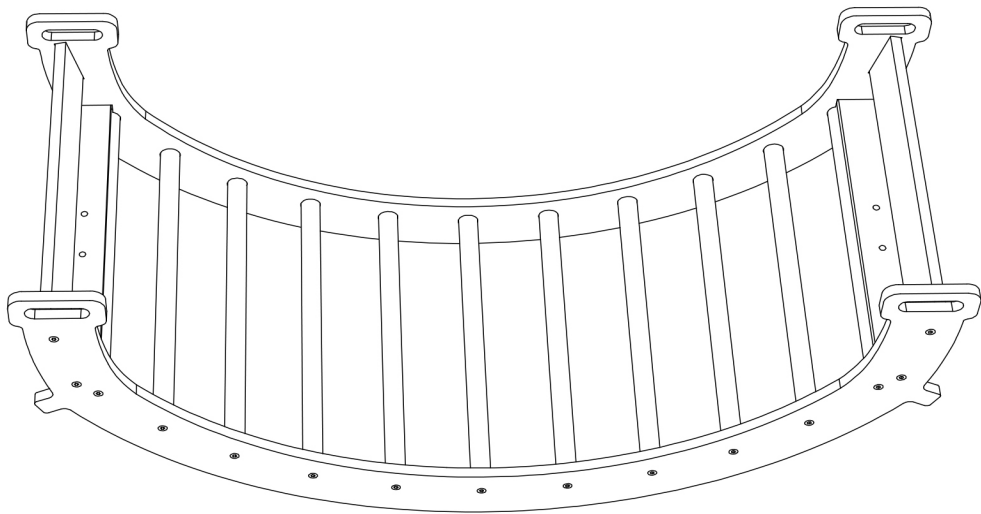


03-1



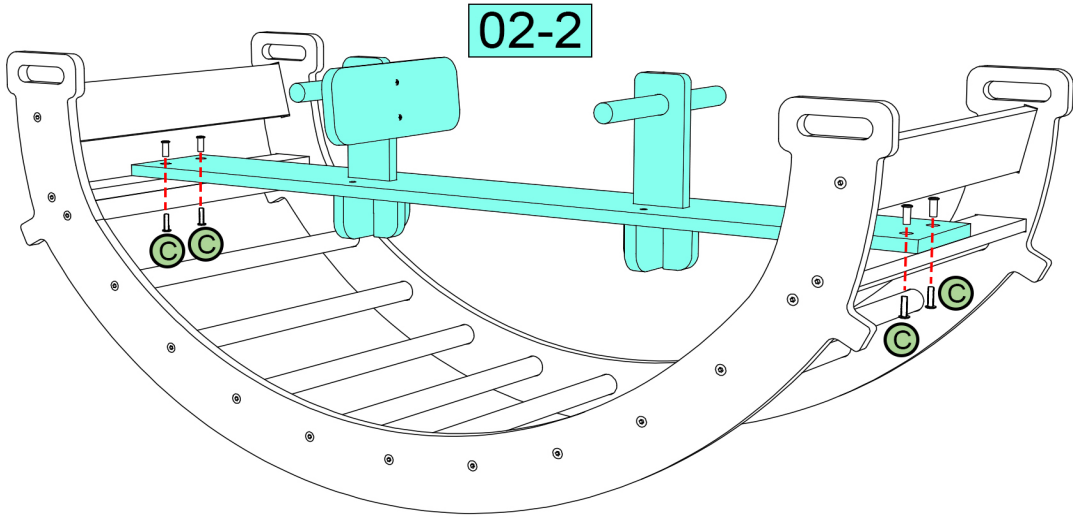
| | | |
|---|--|----|
| A |  M6.3x40 | 30 |
|---|--|----|

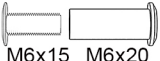
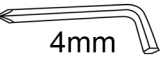
03-2



04-1

Note: Check all connections and bolts for tightness at least twice monthly during use.
Do not use if screws are loose.



| | | |
|----------|--|---|
| C |  M6x15 M6x20 | 4 |
| D |  4mm | 2 |

04-2

