

avenlur

Aloe by Avenlur



Need Help?

CALL US AT 888.697.3931 / M-F 9AM - 5PM PT (12PM - -8PM ET)

OR EMAIL US AT INFO@AVENLUR.COM

PLEASE READ THIS BEFORE STARTING ASSEMBLY

PLEASE RETAIN THESE INSTRUCTIONS FOR FUTURE REFERENCE. KEEP THEM IN A SAFE PLACE, WHERE YOU CAN REFER TO THEM AS NEEDED. IN ORDER TO PROVIDE YOU WITH THE MOST EFFICIENT SERVICE, IT IS REQUIRED THAT YOU PROVIDE US WITH THE PART NUMBERS WHEN ORDERING PARTS.

PLEASE HAVE THE FOLLOWING INFORMATION WHEN YOU MAKE YOUR CALL:

1-YOUR ORDER NUMBER

2-DESCRIPTION OF THE PART FROM THE PARTS LIST AND THE PART NUMBER

3-CONTACT US AT: **AVENLUR- 888-697-3931**

READ THE ASSEMBLY MANUAL COMPLETELY, PAYING SPECIAL ATTENTION TO THE IMPORTANT TIPS AND SAFETY INFORMATION. WE ADVISE OUR CUSTOMERS TO HIRE PROFESSIONAL HELP FOR INSTALLING THIS PLAYSET.

SEPARATE AND IDENTIFY ALL PARTS TO MAKE SURE THAT YOU HAVE ALL OF THE PARTS LISTED. IF YOU CAN'T FIND ALL OF THE PARTS, CHECK THE PACKING MATERIAL. SMALL PARTS MAY HAVE FALLEN OUT OF THE PACKET AND INTO THE MAIN BOX DURING TRANSIT.

PLEASE HAVE AN ELECTRIC SCREWDRIVER AVAILABLE FOR ASSEMBLY.

PLEASE NOTE: THE WOOD IS TREATED WITH ANTI-CORROSIVE TREATMENT WHICH MAY RESULT IN VERY SMALL CRACKS OR ROUGH SURFACES IN AREAS. THIS IS VERY NORMAL AND STANDARD. THIS WILL NOT AFFECT THE SAFETY AND STABILITY OF THE WOOD AND THE SWINGSET.

Equipment is recommended for use by **ages 1-5**. Our products are solid and strong and have been used in commercial settings, such as schools. However, our warranty only covers use in residential settings.

Please follow all recommendations below. **Failure to do so may result in the warranty being void and/or safety violations that could result in serious injury.** This manual contains helpful information concerning Assembly Preparation, installation Procedure, and Required Maintenance Always keep the safety of your children in mind as your play structure is being built and as your children play on the set. Before your children play on the set please review the Operation Instructions with them to help ensure their safety.

WARNING:

Children must NOT use this playcenter until the unit has been completely assembled and inspected by an adult to insure the set has been properly installed, leveled and anchored.

WARNING:

This Symbol points out important safety instructions which, if not followed, could endanger the personal safety of yourself and your children and/or damage your property. You **MUST** read and follow all instructions in this manual before attempting to use this playcenter.

WARNING:

CONTINUOUS ADULT SUPERVISION REQUIRED!

WARNING:

STRANGULATION HAZARDS

1. Never allow children to play with ropes, clotheslines, pet leashes, cables, chains or cord-like items when using this playcenter or to attach items to playcenter.

2. Never allow children to wear loose fitting clothing, ponchos, hoods, scarves, capes, necklaces or items with draw-strings, cords or ties when using this playcenter.
3. Never allow children to wear bike or sport helmets when using this playcenter.
4. Failure to prohibit these items increases the risk of serious injury and death to children from entanglement and strangulation.

WARNING:

SERIOUS HEAD INJURY HAZARD

Maintaining shock absorbing materials under and around the playcenter as recommended in the installation & operation instructions, installation over concrete, asphalt, dirt grass, carpet and other hard surfaces creates a risk of serious injury or death from falls to the ground.

Positioning Your Playcenter

1. The playcenter is designed to be installed on a level surface by an Adult with an Adult helper. Place in a flat area of your yard to minimize ground preparation.
2. Choose a leveled location for the equipment, this can reduce the likelihood of the play set tipping over and loose-fill surfacing material washing away during heavy rains.
3. Place the equipment not less than **6 ft (1.8 m)** from any structure or obstruction such as a fence, garage, house, overhanging branches, laundry lines, or electrical wires.
4. Provide enough room so that the children can use the equipment safely. For example, for structures with multiple play activities, a slide should not exit in front of a swing.
5. It is a good idea to place your playcenter in an area that is convenient for adults to watch children at play.
6. Create a site free of obstacles that could cause injuries- such as low overhanging tree branches, overhead wires, tree stumps and/or roots, large rocks, bricks and concrete. Additional suggestions in the Suggested Playground Surfacing Section.

Suggested Playground Surfacing

1. Do not install home playground equipment over concrete, asphalt, packed earth, grass carpet, or any other hard surface. A fall onto a hard surface can result in serious injury to the equipment user.
2. Do not install loose fill surfacing over hard surfaces such as concrete or asphalt. Shredded bark mulch, wood chips, fine sand and fine gravel, are added as shock absorbing materials after assembly. If used properly these materials can absorb some of the impact of a child's fall.
3. All surface material should extend a minimum of 6 feet in all directions around the play area.
4. Do not apply playground surfacing until after the unit is completely constructed. Playcenter should not be built on top of surfacing.
5. Use containment, such as digging out around the perimeter and/or lining the perimeter with landscape edging.
6. Installations of rubber tiles or poured-in-place surfaces (other than loose-fill materials) generally require a professional and are not "do-it-yourself" projects.
7. Use Playground Surfacing Materials (other than loose-fill materials) which comply with the safety standard ASTM F1292 Standard Specification of Impact Attenuation of Surfacing Materials within the Use Zone of Playground Equipment.

Operating Instructions:

NOTE: Your children's safety is our No.1 concern.

Observing the following statements and warnings reduces the likelihood of serious or fatal injury. Please review these safety rules regularly with your children.

1. On-site adult supervision is required.
2. Instruct children not to use the equipment in a manner other than intended.
3. Instruct children to always go down slides feet first. Never slide head first.
4. Instruct children to look before they slide to make sure no one is at the bottom.
5. Instruct children to never run up a slide, as this increases their chances of falling.
6. The parents should dress children appropriately. (Examples would include the use of well-fitting shoes and the avoidance of ponchos, scarfs, and other loose-fitting clothing that is potentially hazardous while using equipment).
7. Instruct children not to climb when the equipment is wet.
8. Instruct children to never jump from high areas. They should always use the ladder, ramp or slide.
9. Verify that any suspended climbing ropes, chain, or cable are secured at both ends and that they cannot be looped back on it.
10. Instruct children not to attach items to the playground equipment that are not specifically designed for use with the equipment, such as, but not limited to, jump ropes, clothes line, pet leashes, cables and chain as they may cause a strangulation hazard.

Maintenance Instructions:

General Maintenance:

1. Check the wood and hardware every two weeks due to wood expansion and contraction. It is particularly important that this procedure be followed at the beginning of each season.
2. Inspect wood parts monthly. The grain of the wood sometimes will lift in the dry season causing splinters to appear. Light sand may be necessary to maintain a safe playing environment. Treat your playcenter with stain regularly, to help prevent severe checking/splitting and other weather damage.
3. A waterborne ultra violet and water repellent stain has been applied to your playcenter. This is temporary. Once or twice a year, depending on your climate conditions, you must apply some type of protection (sealant) to the wood of your unit. Prior to the application of sealant, lightly sand any "rough" spots on your playcenter. Please note this is a requirement of your warranty.
4. Assembling and maintaining the playcenter on a level location is very important. As your children play, your playcenter will slowly dig its way into the soil, and it is very important that it settles evenly. Make sure the playcenter is level and true one each year or at the beginning of each play season.

At the beginning of each play season:

- Tighten all hardware.
- Lubricate all metallic moving parts per manufacturer's instructions.
- Check all protective coverings on bolts, pipes, edges and corners. Replace if they are loose, cracked, or missing.
- Check all moving parts including swing seats, ropes, cables, and chains for wear, rust, or other deterioration. Replace as needed.
- Check metal parts for rust. If found, sand and repaint using a non Lead-based paint meeting the requirements of 16 CFR 1303.
- Check all wood members for deterioration and splinters. Sand down splinters use a sealant on deteriorating wood parts.
- Rake and check depth of loose fill protective surfacing materials to prevent compaction and to maintain appropriate depth. Replace as necessary.

Twice a month during play season:

- Tighten all hardware.
- Check all protective coverings on bolts, pipes, edges and corners. Replace if they are loose, cracked, or missing.
- Rake and check depth of loose fill protective surfacing materials to prevent compaction and to maintain appropriate depth. Replace as necessary.

Disposal Instructions:

When the Playcenter use is no longer desired, it should be disassembled and disposed of in such a way that no unreasonable hazards will exist at the time the unit is discarded.

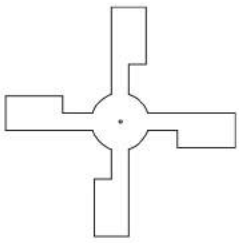
What causes weathering? Does it affect the strength of my product?

One of the main reasons for weathering is the effects of water (moisture); the moisture content of the wood at the surface is different from the interior of the wood. As the climate changes, moisture moves in or out of the wood, causing tension which can result in checking and or warping. You can expect the following due to weathering. These changes will not affect the strength of the product:

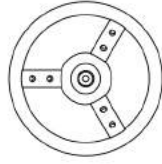
1. **Checking** is surface cracks in the wood along the grain. A post (4"x 4") will experience more checking than a board (1"x4") because the surface and interior moisture content will vary more widely than in thinner wood.
2. **Warping** results from any distortion (twisting, cupping) from the original plane of the board and often happens from rapid wetting and drying of the wood.
3. **Fading** happens as a natural change in the wood color as it is exposed to sun-light and will turn gray over time.

How can I reduce the amount of weathering to wood products?

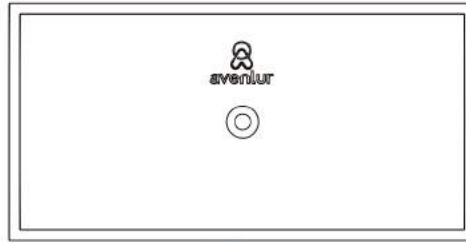
1. Your wood product is coated with a water based wood sealer which contains water repellent and an Ultraviolet stabilizer. Sunlight will break down the coating, so we recommend applying a water repellent or stain on a yearly basis (see your local stain and paint supplier for a recommended product). You must apply some type of protection (sealant) to the wood of your product. Please note this is a requirement of your warranty. Most weathering is just the normal result of nature and will not affect safety. However if you are concerned that a part has experienced a severe weathering problem please call our customer service department for further assistance.
2. Inspect wood parts monthly. The grain of the wood sometimes will lift in the dry season causing splinters to appear. Light sanding may be necessary to maintain a safe environment. Treating your Product with protection (sealant) after sanding will help prevent severe checking/ splitting and other weather damage.



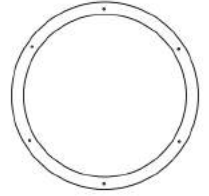
①x2



②x1



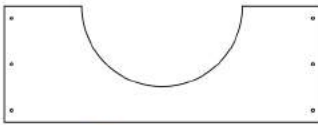
③x1



④x1



⑤x2



⑥x2 21.7in



⑦x1 21.7in



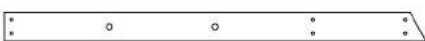
⑧x1 21.7in



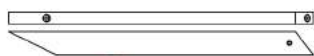
⑨x1 21.7in



⑩x1 27.1in



⑪x1 28.9in



⑩x1 27.1in



⑫x1 63in



⑬x1 63in



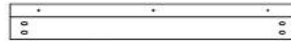
⑭x1 63in



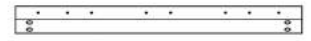
⑮x1 63in



⑯x1 3.5in



⑰x1 19.7in



⑱x2 19.7in



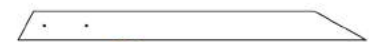
⑲x1 23.6in



⑳x4 23.6in



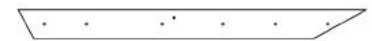
㉑x2 23.6in



㉒x1 23.9in



㉓x1 23.6in



㉔x1 23.9in



㉕x3 15in



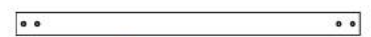
㉖x1 25.9in



㉗x3 23.6in



㉘x1 25.9in



㉙x2 23.6in



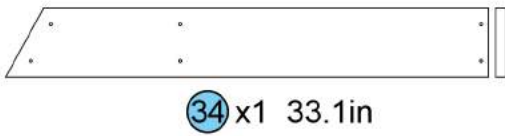
㉚x1 20.9in



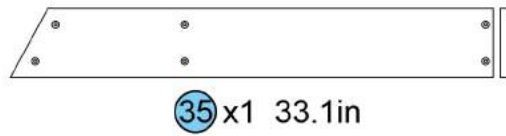
㉛x2 18.9in



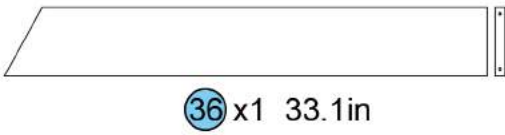
㉜x2 35.4in



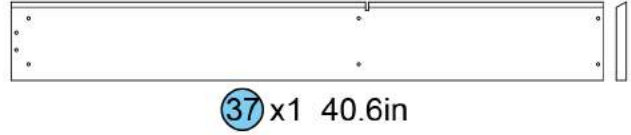
34 x1 33.1in



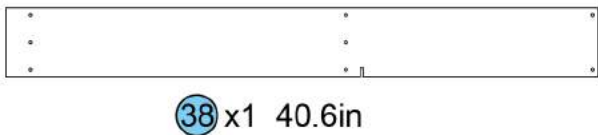
35 x1 33.1in



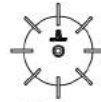
36 x1 33.1in



37 x1 40.6in



38 x1 40.6in



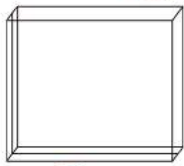
39 x4



40 x1



41 x4



42 x1



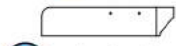
43 x1



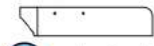
44 x1 11in



45 x1 11in



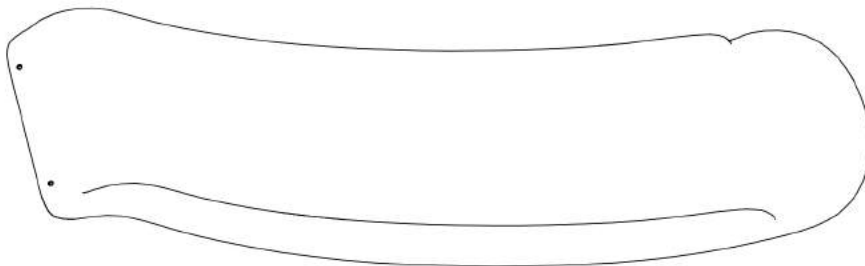
46 x1 9.1in



47 x1 9.1in



48 x4



49 x1



M4x15
A x6



M5x30
B x8



M5x35
C x16



M5x40
D x21



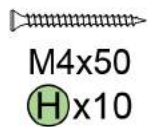
M5x50
E x80



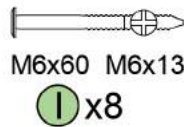
M4x30
F x4



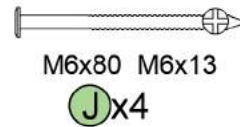
M4x40
G x35



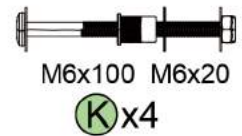
M4x50
H x10



M6x60 M6x13
I x8



M6x80 M6x13
J x4



M6x100 M6x20
K x4



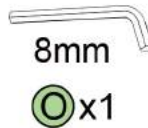
M10x35
L x8



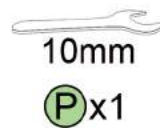
M8x50
M x1



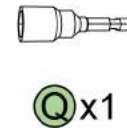
4mm
N x2



8mm
O x1



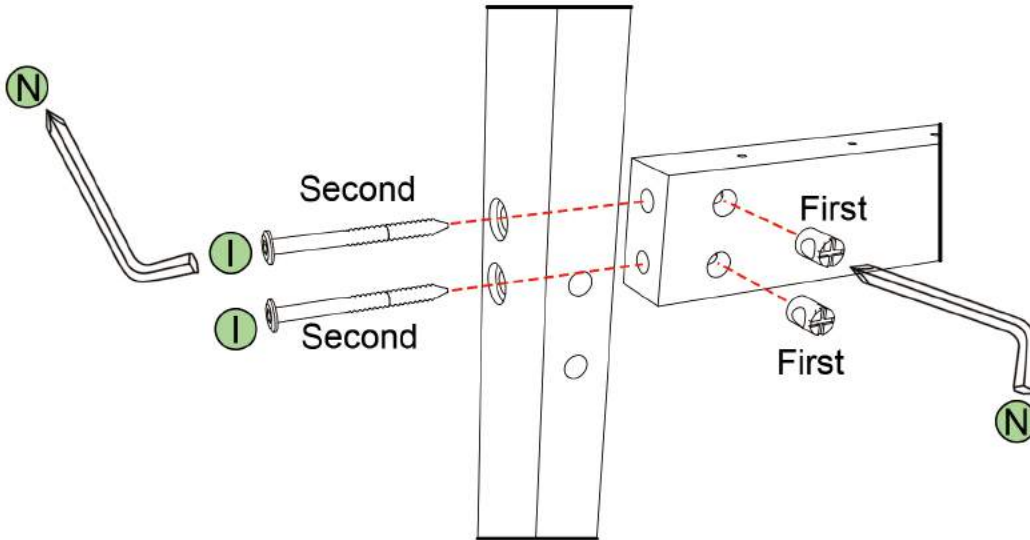
10mm
P x1



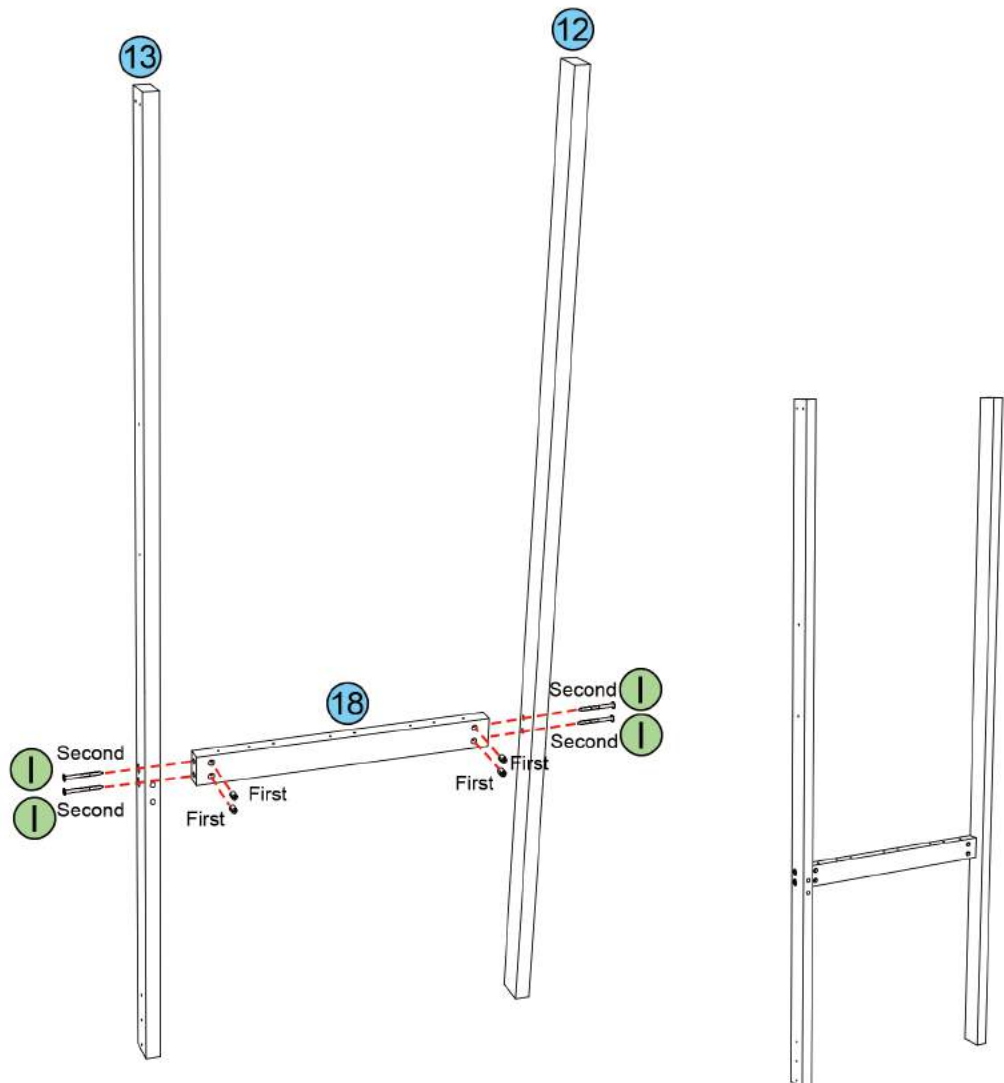
10mm
Q x1

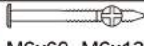
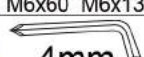


17mm
R x1

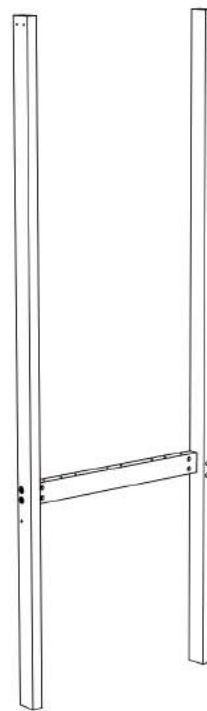
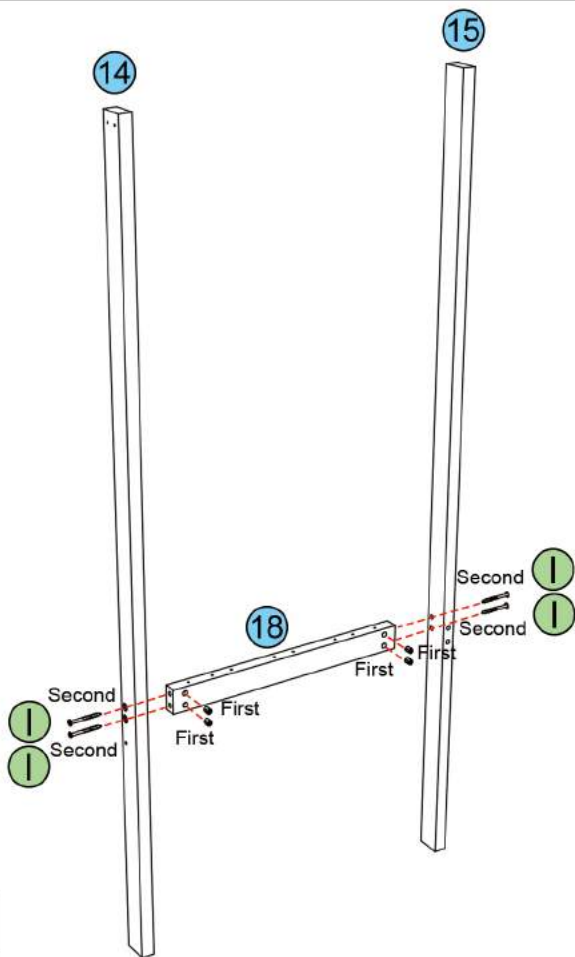




First: Put the connector in the hole with the crosshairs facing out. Use the Phillips screwdriver side of one tool part (N) to hold the connector stationary for the threading of the screw go in,
 Second: Use the hex side of the other tool part (N) to thread the screw into the hole of the connector



(I)	 M6x60 M6x13	4
(N)	 4mm	2

02-1

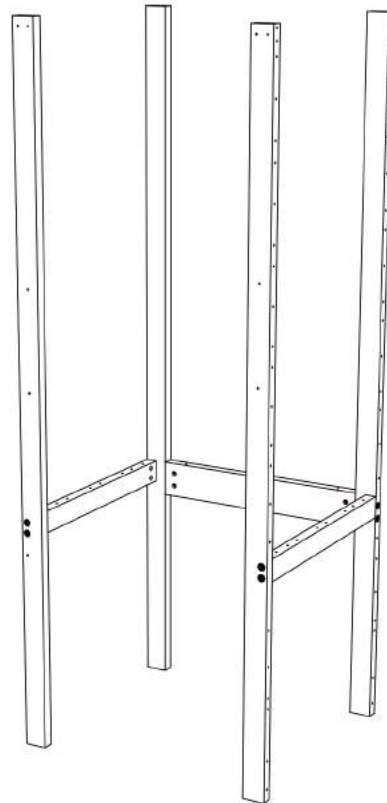
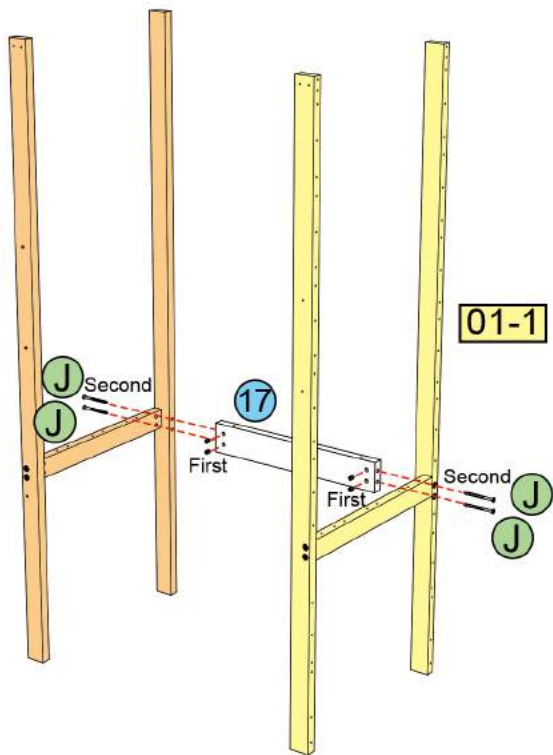


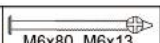

I	 M6x60 M6x13	4
N	 4mm	2

03-1

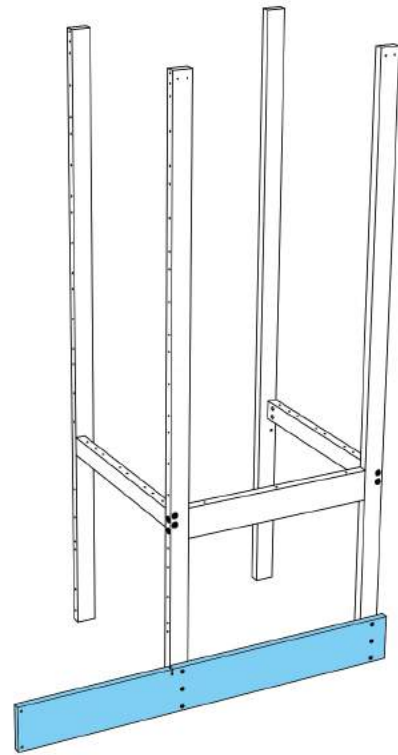
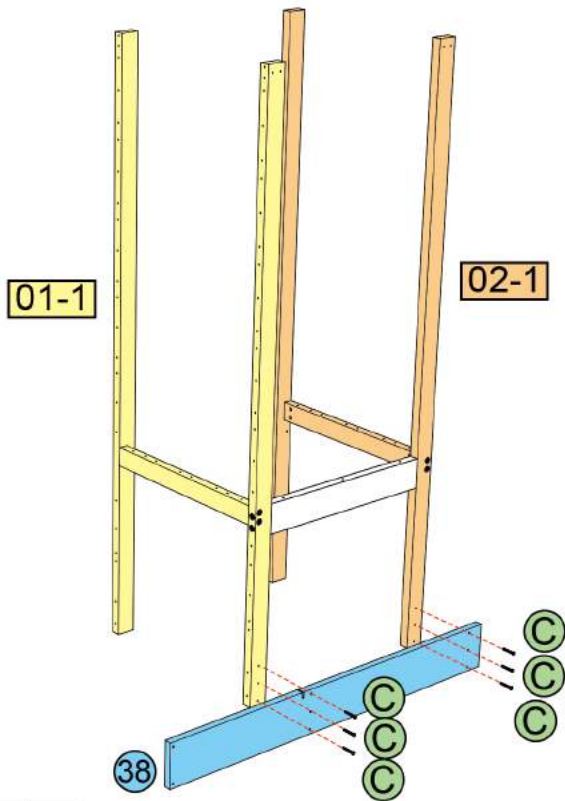
02-1

01-1



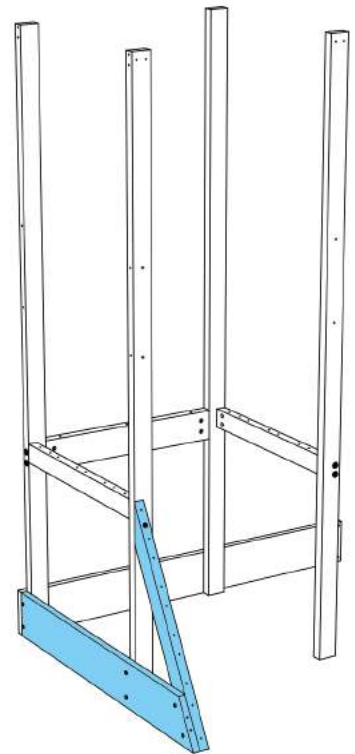
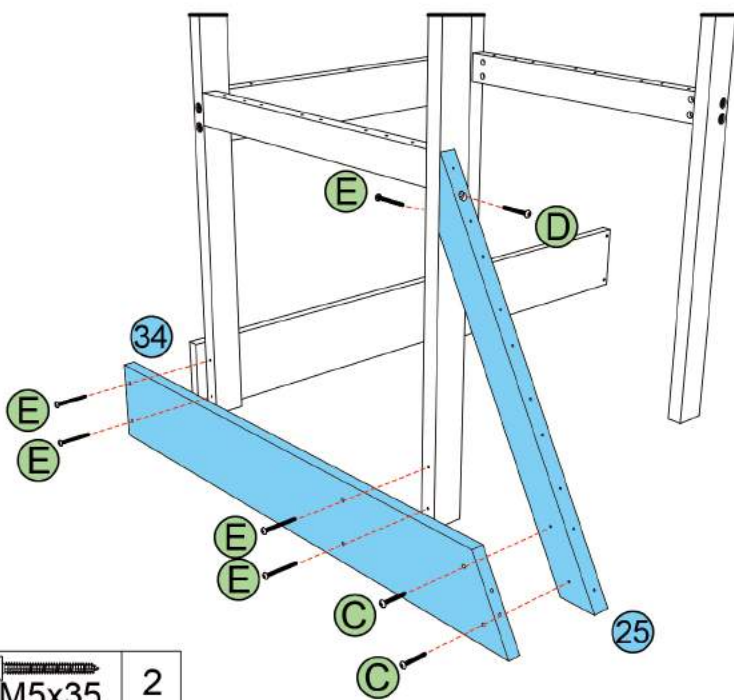
J	 M6x80 M6x13	4
N	 4mm	2

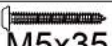

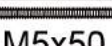
04-1



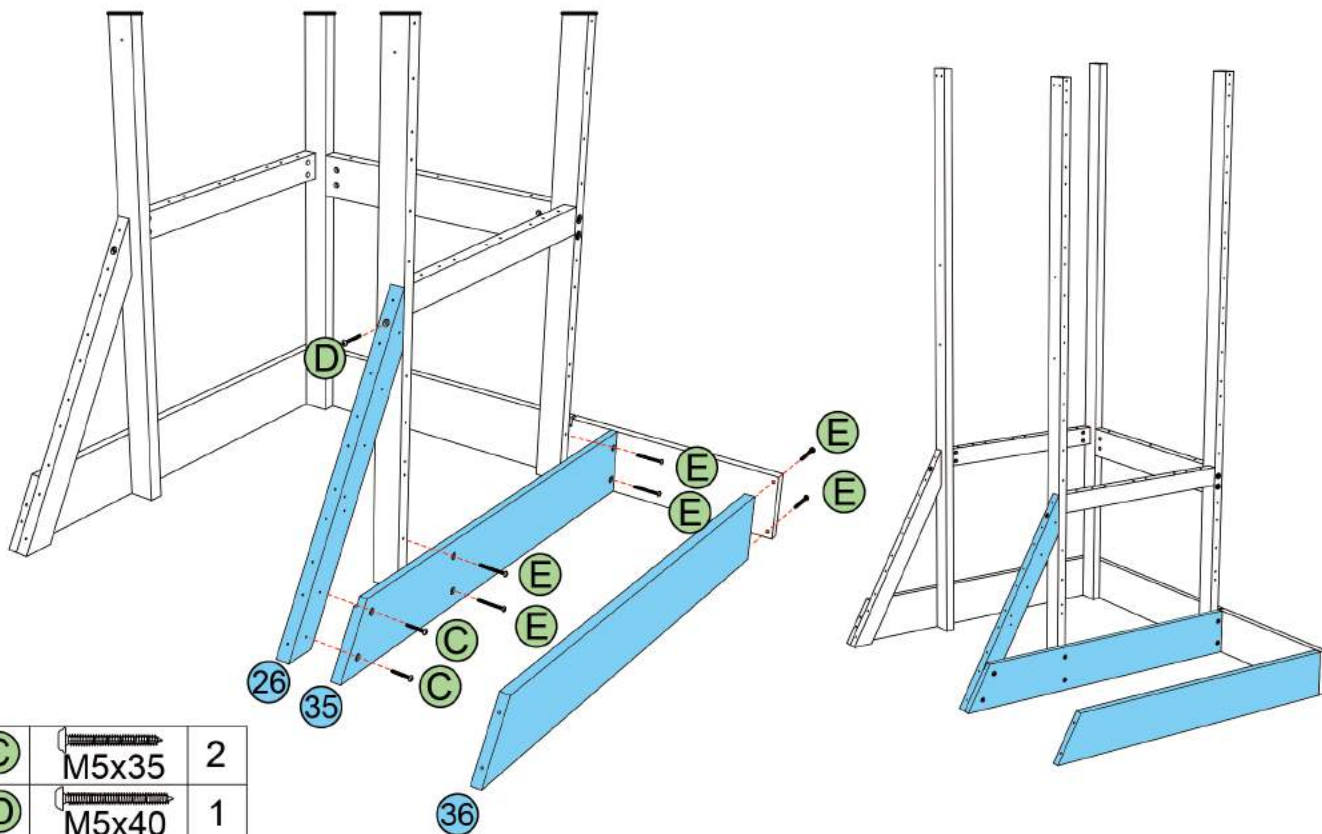
C		6
	M5x35	




05-1



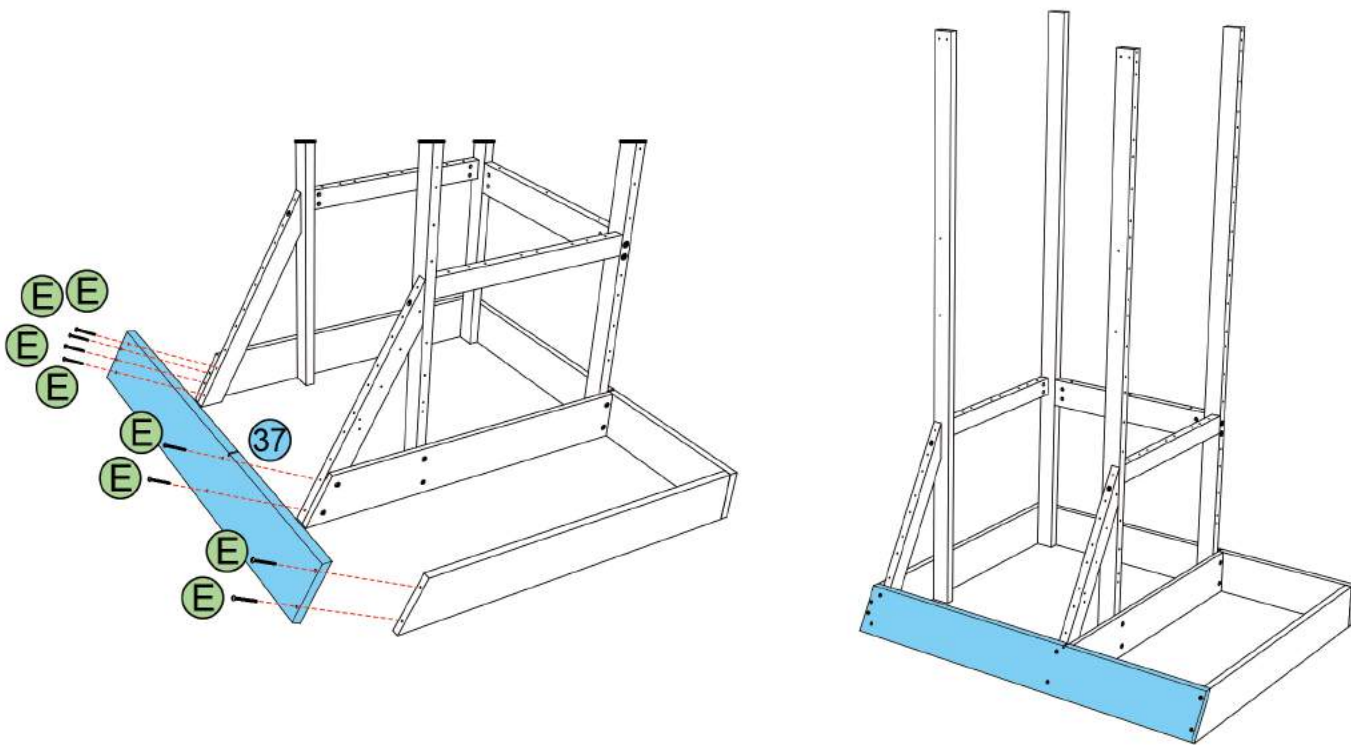
C		2
	M5x35	
D		1
	M5x40	
E		5
	M5x50	

06-1

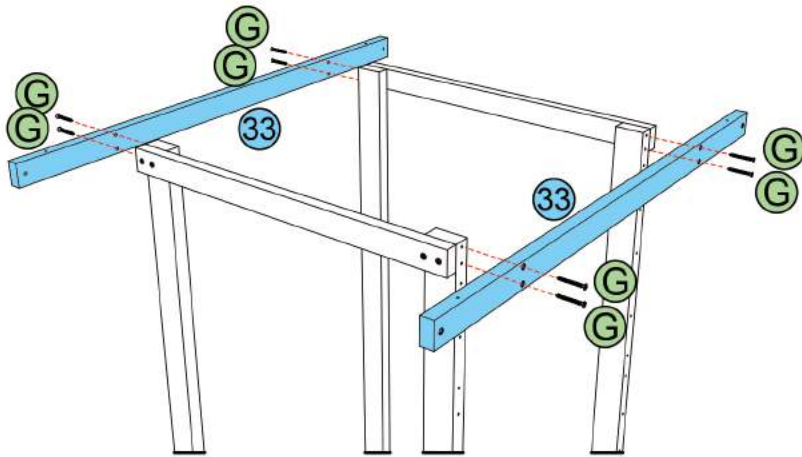
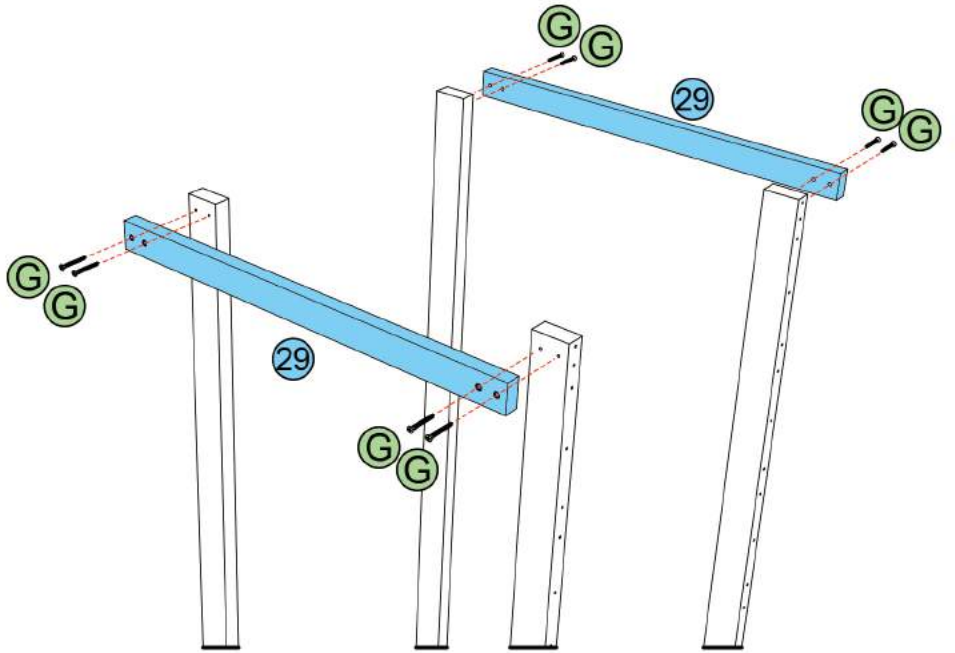


C		M5x35	2
D		M5x40	1
E		M5x50	6

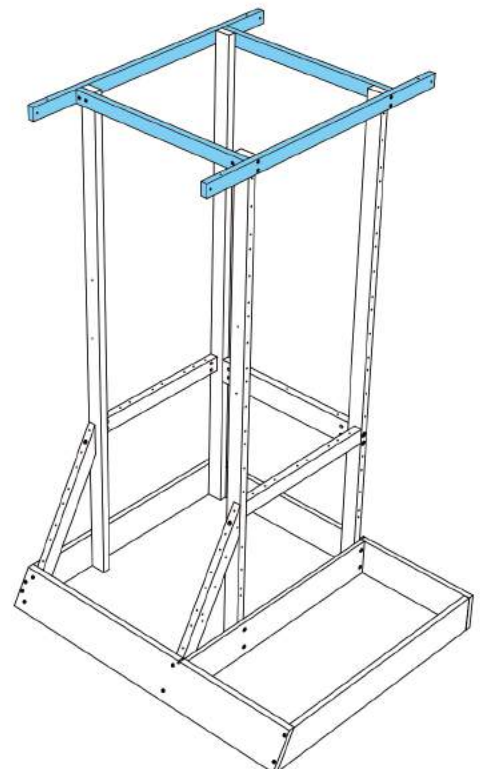
07-1



E		M5x50	8
----------	---	-------	---

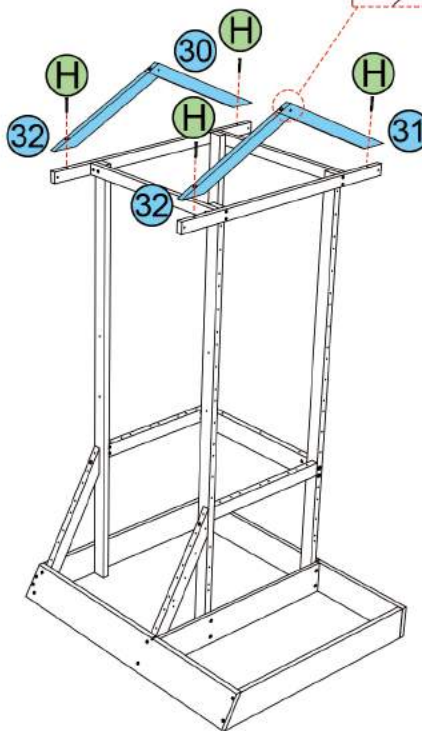
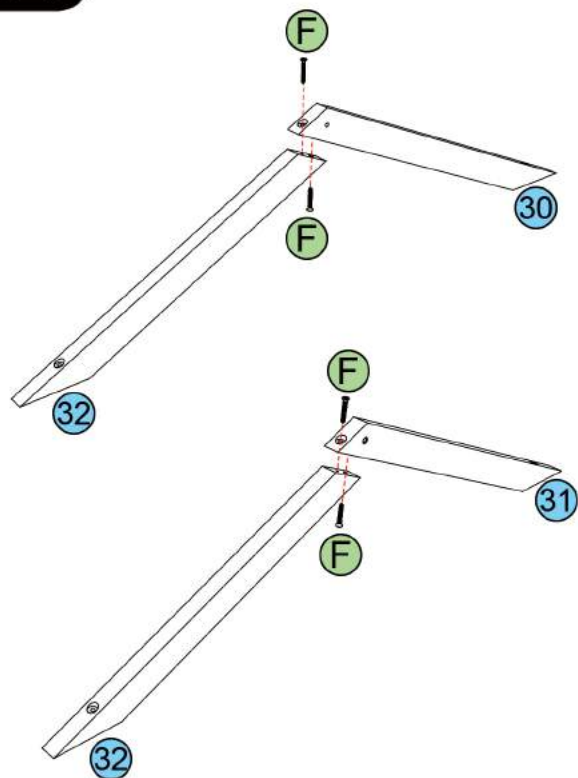
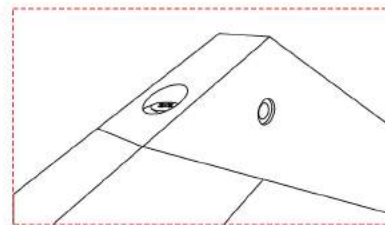


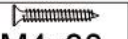
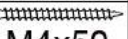
Note: When assemble Part 33 the top hole as shown upside



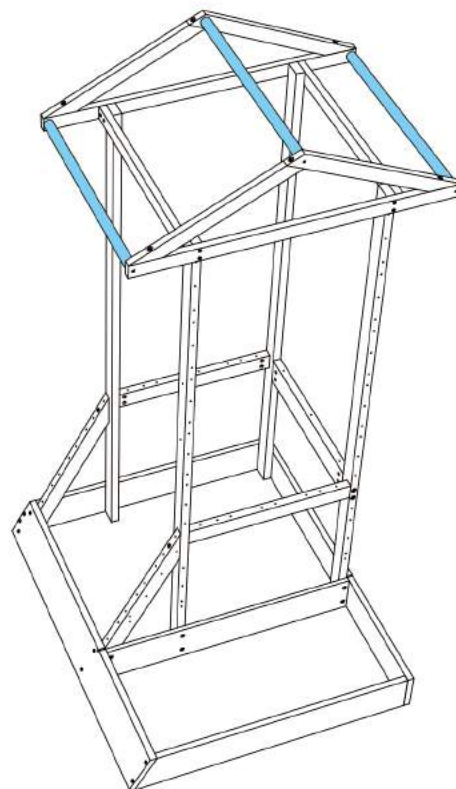
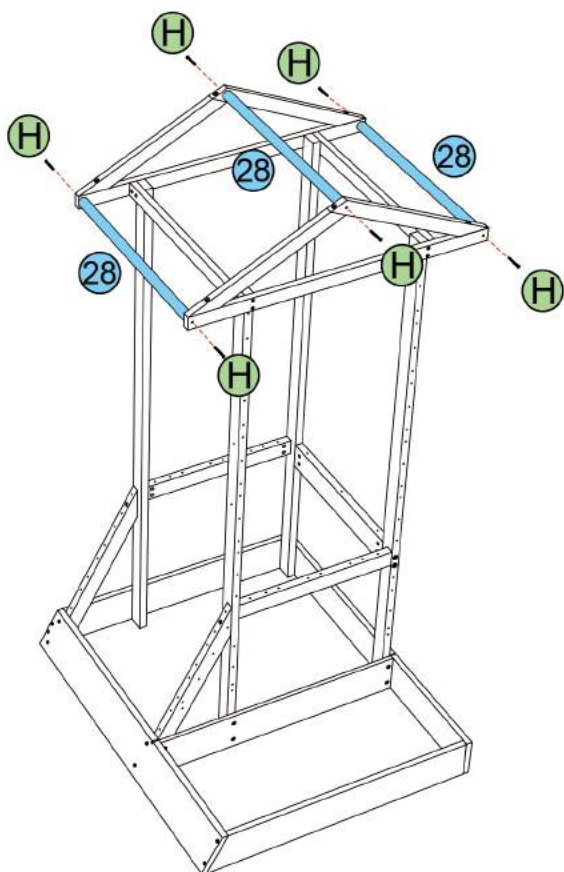
09-1

Countersunk holes of 30 & 31 face outward



(F)		4
(H)		4

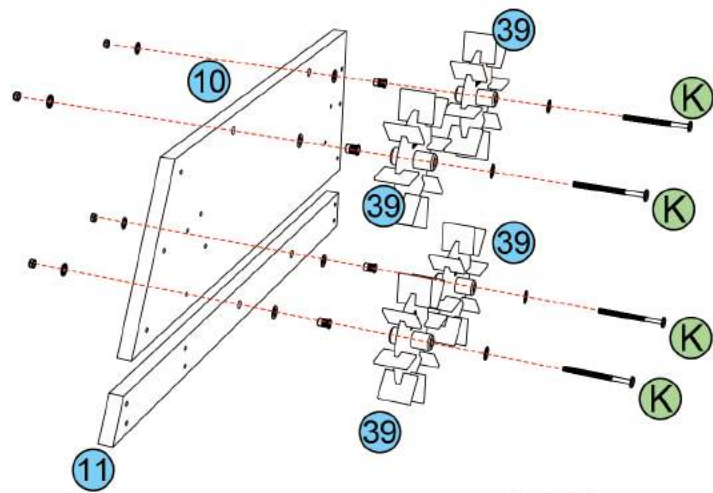
10-1



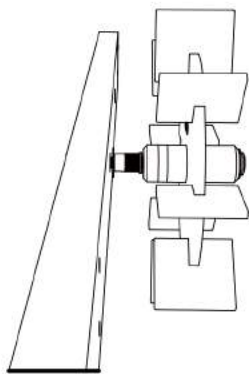
(H)		6
-----	---	---

11-1

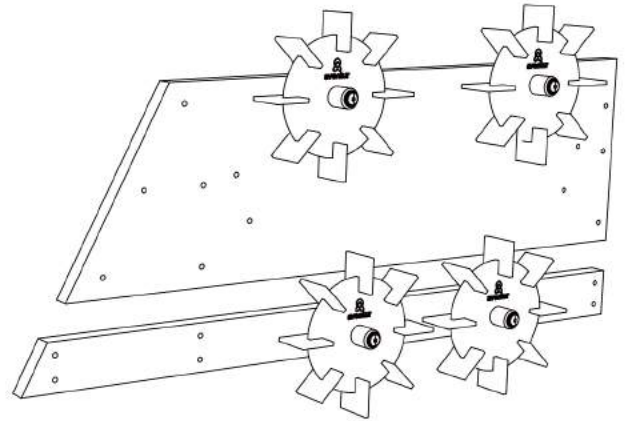
Note: Do not tighten the screws (K) too much, or the waterwheel will not turn properly



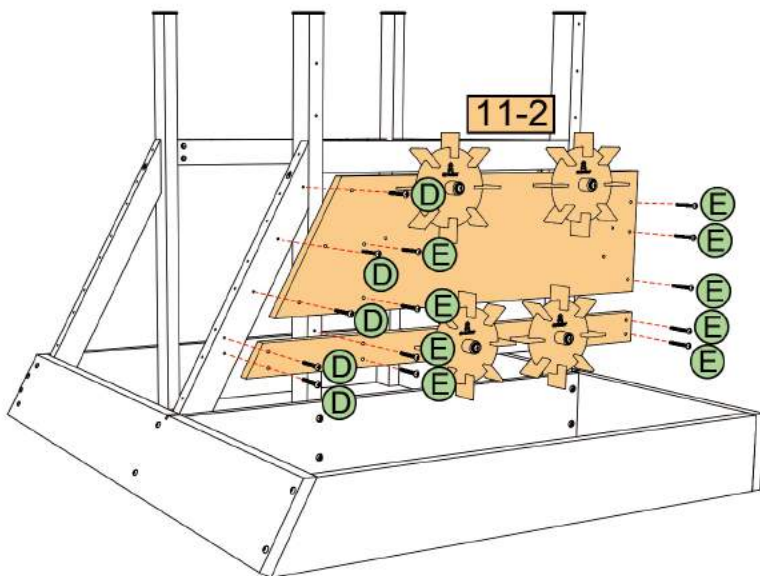
(K)	M6x100 M6x20	4
(N)	4mm	1
(P)	10mm	1



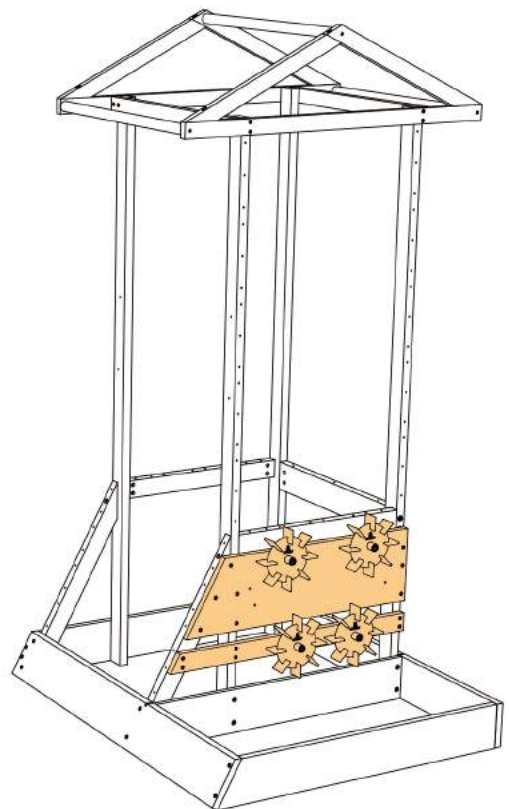
11-2



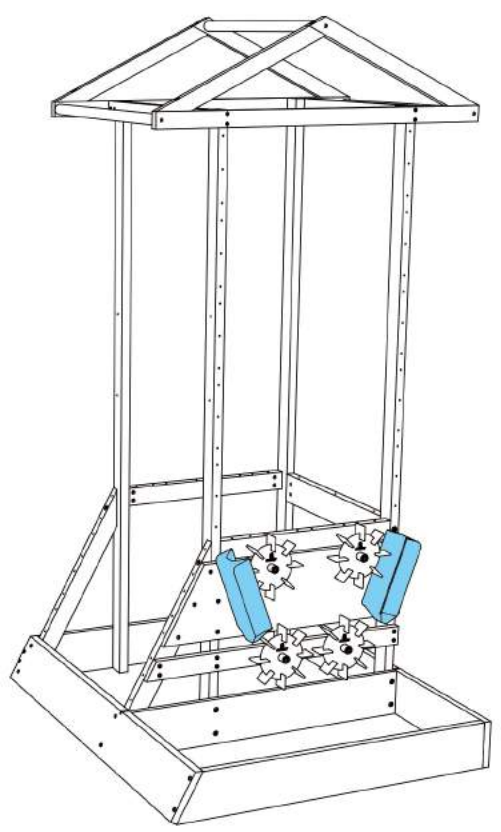
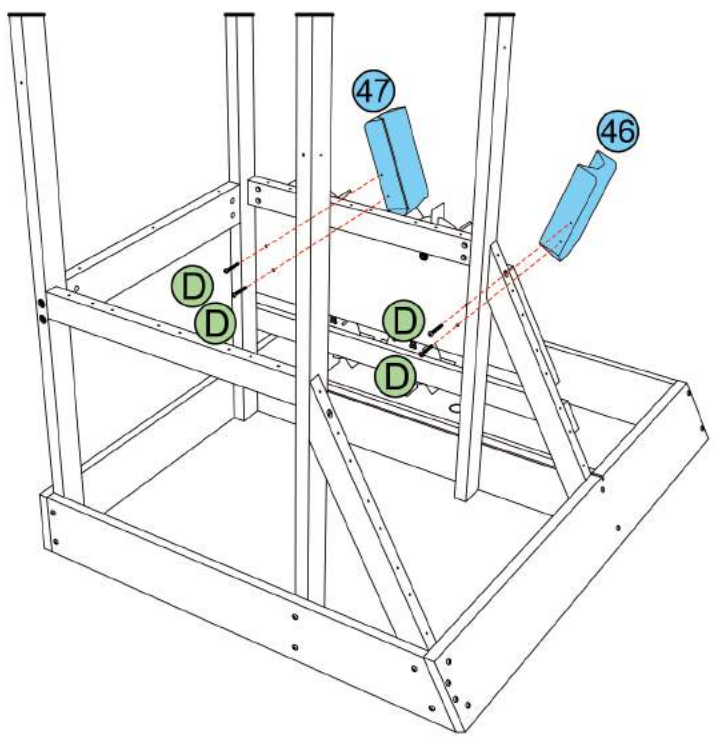
11-3



(D)	M5x40	5
(E)	M5x50	9

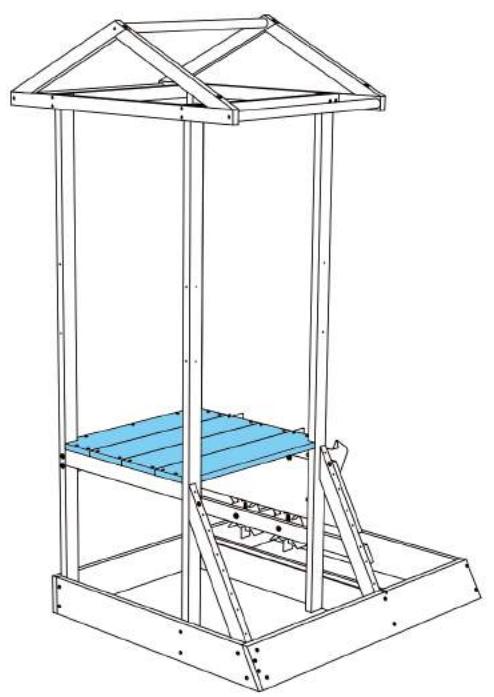
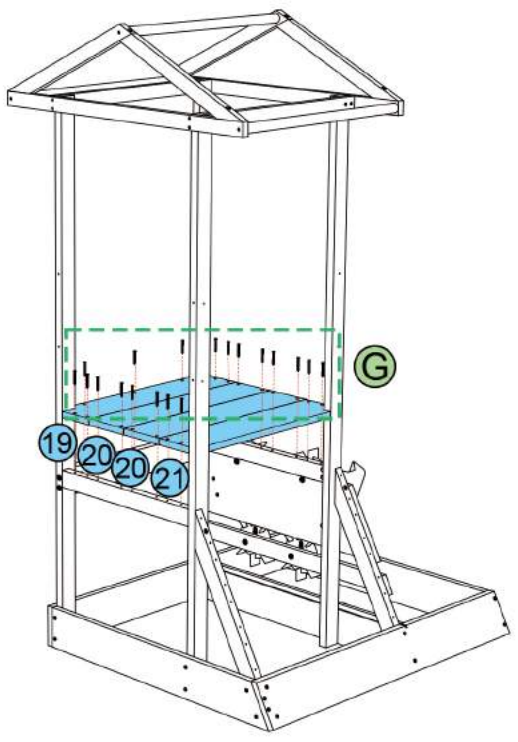


12-1



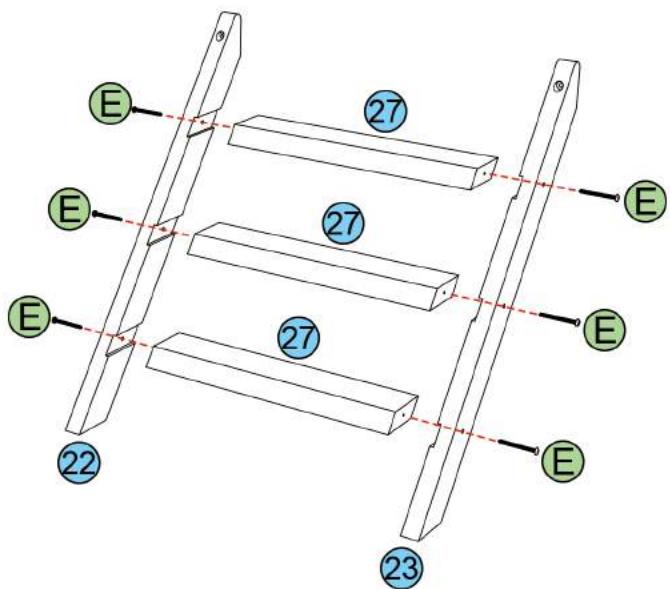
D		4
----------	--	---

13-1

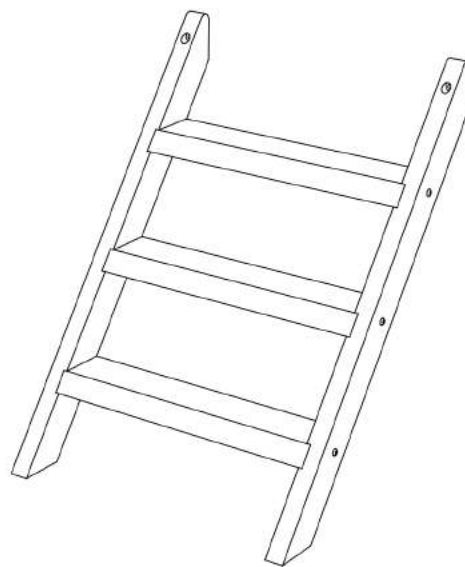


G		19
----------	---	----

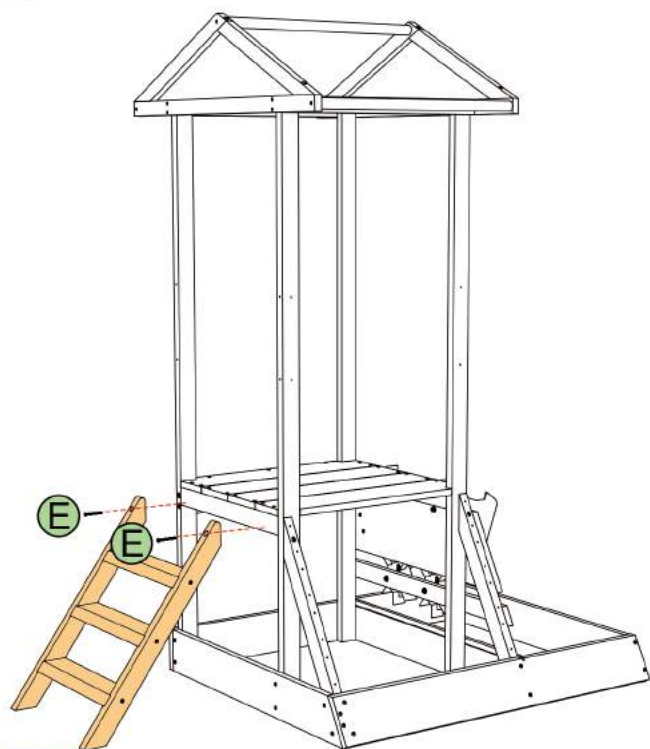
14-1



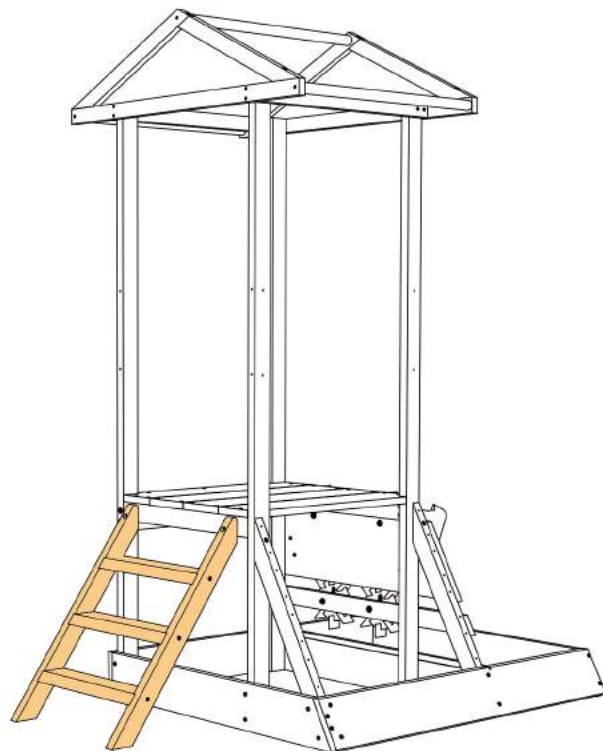
14-2



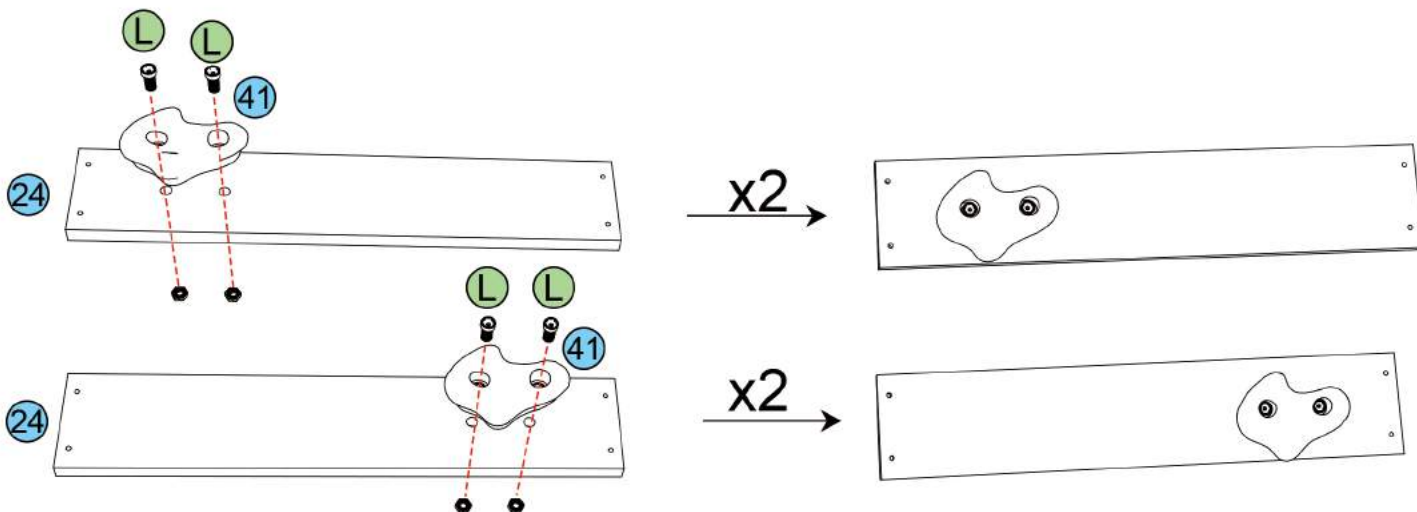
15-1



14-2

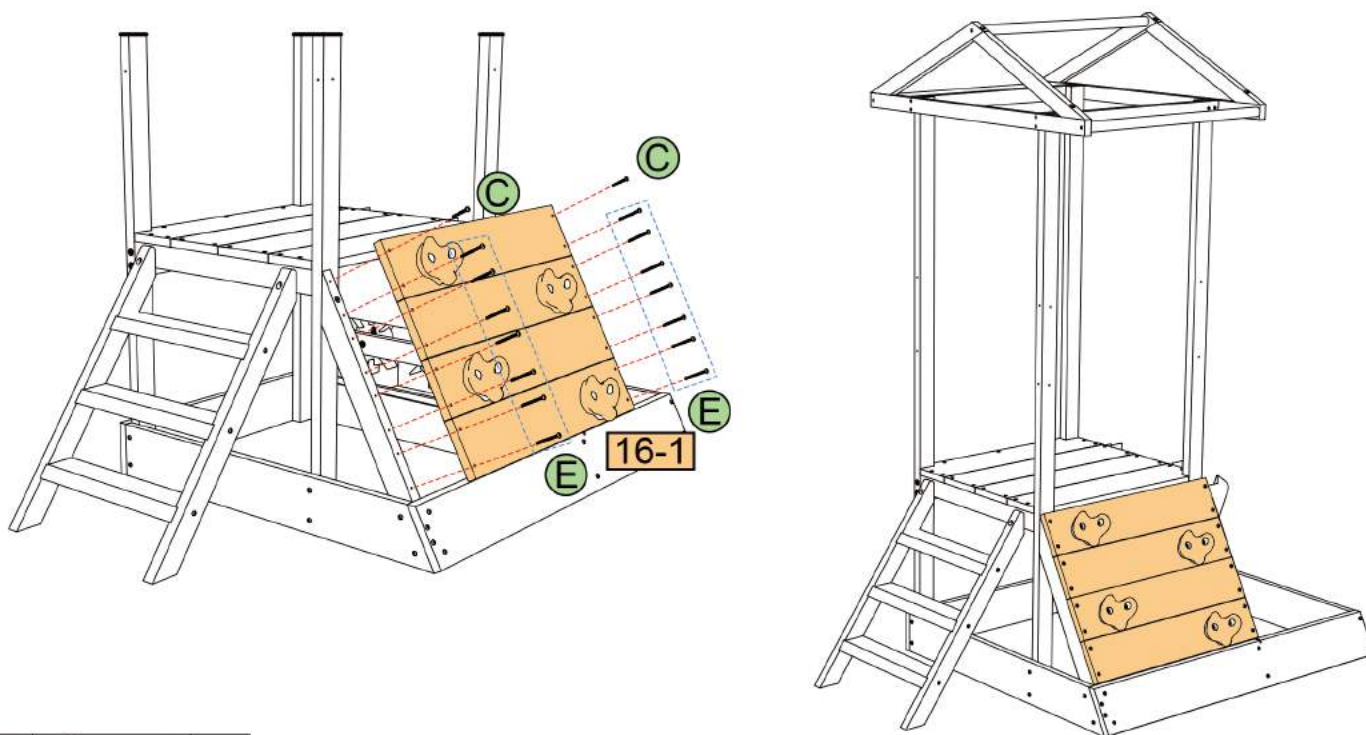



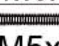
16-1



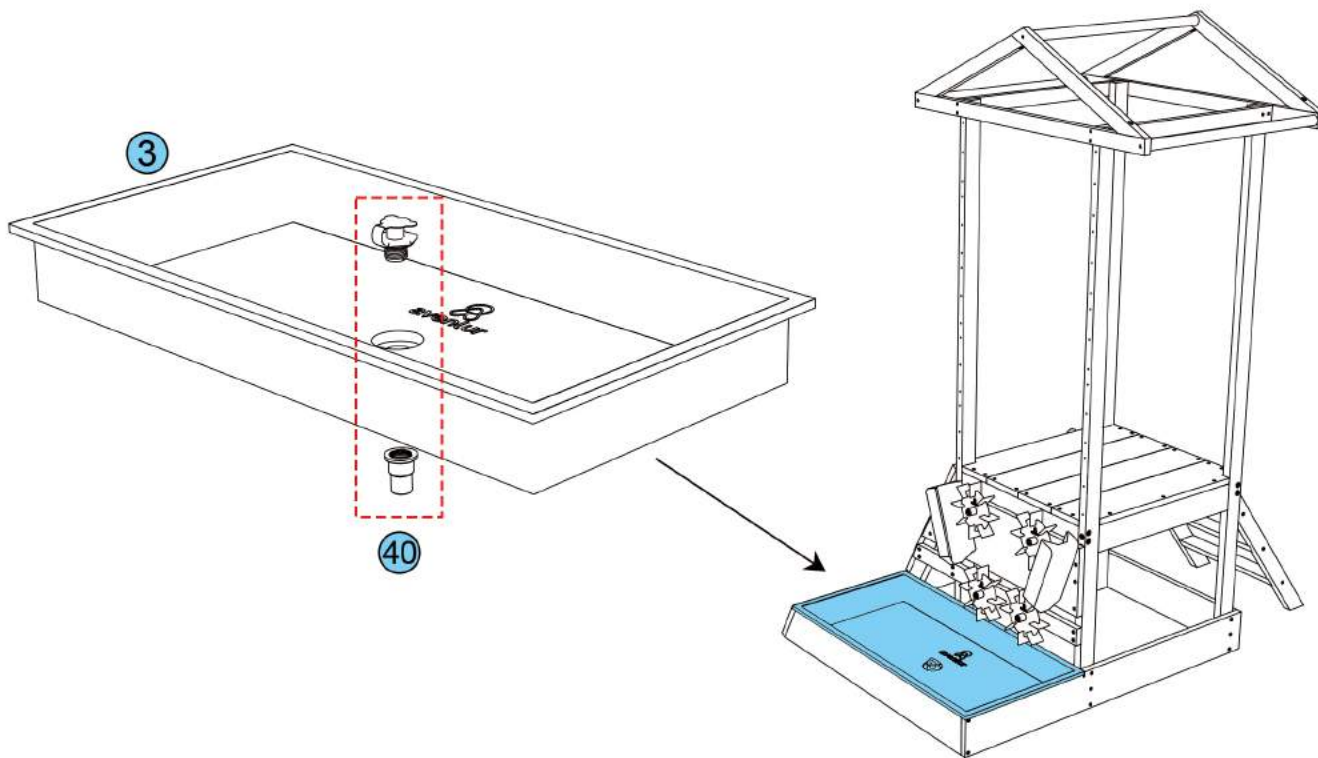
L	 M10x35	8
O	 8mm	1
R	 17mm	1

17-1

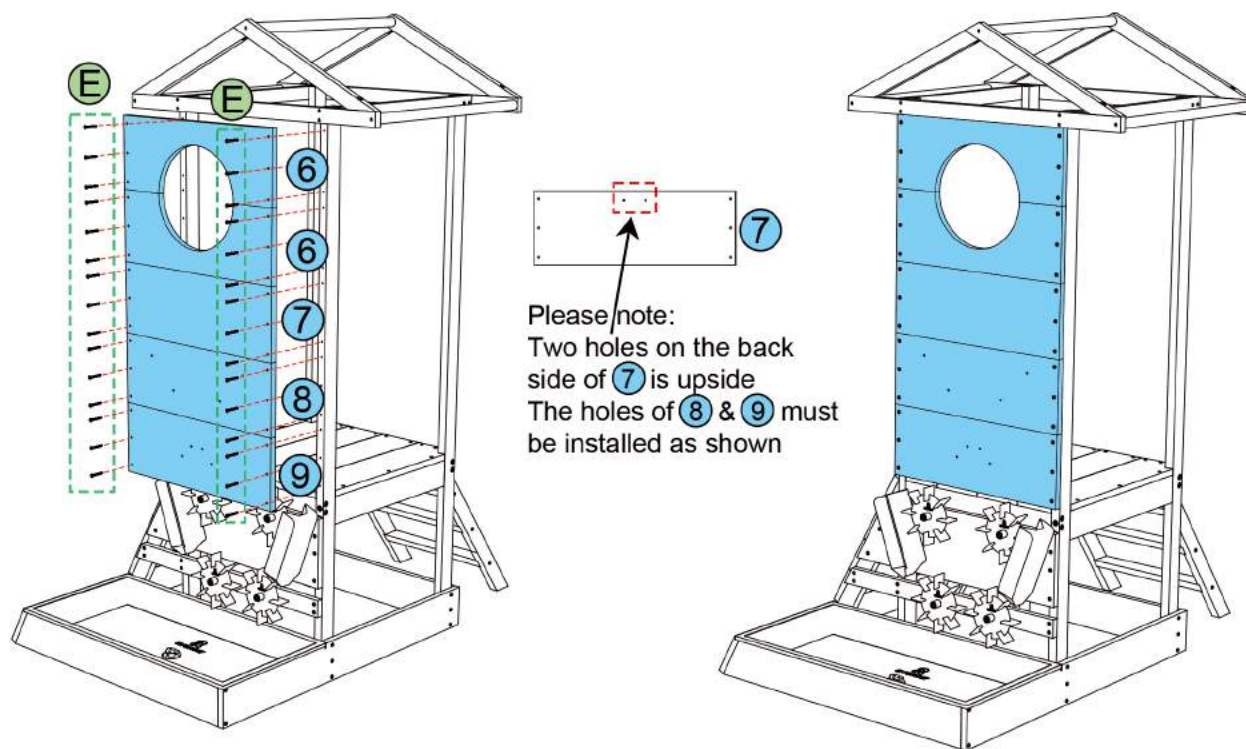


C	 M5x35	2
E	 M5x50	14

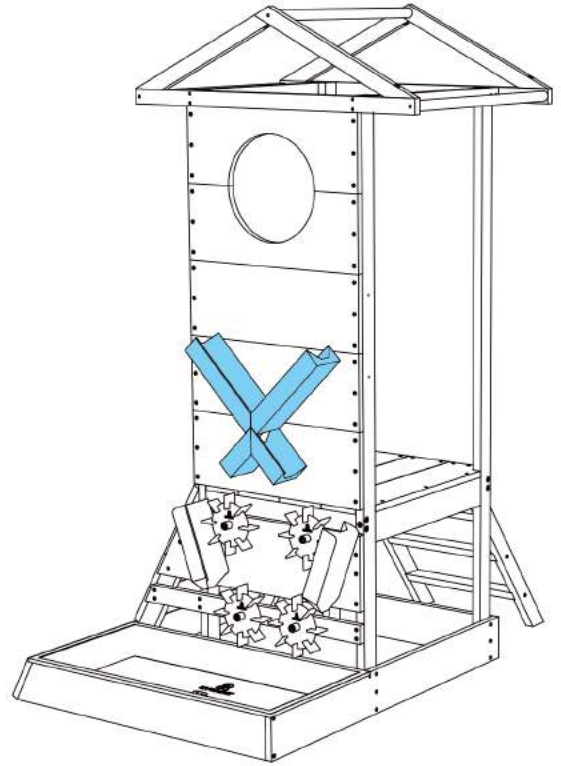
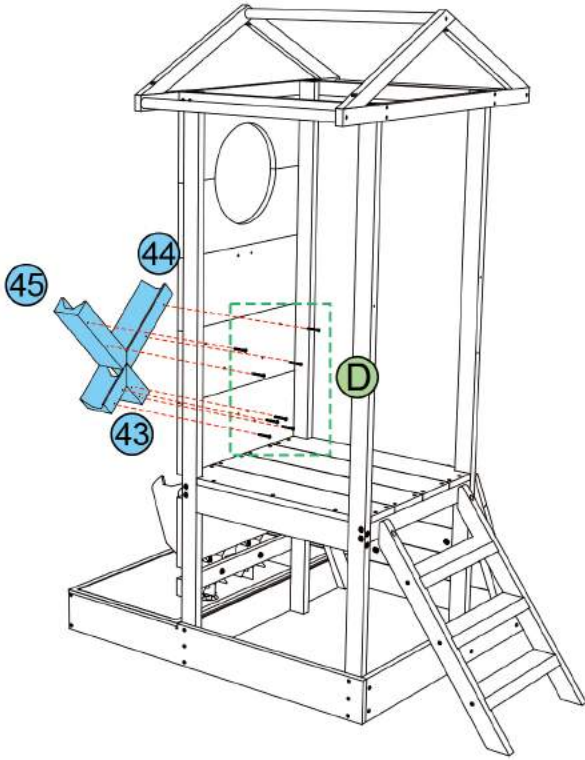
18-1



19-1

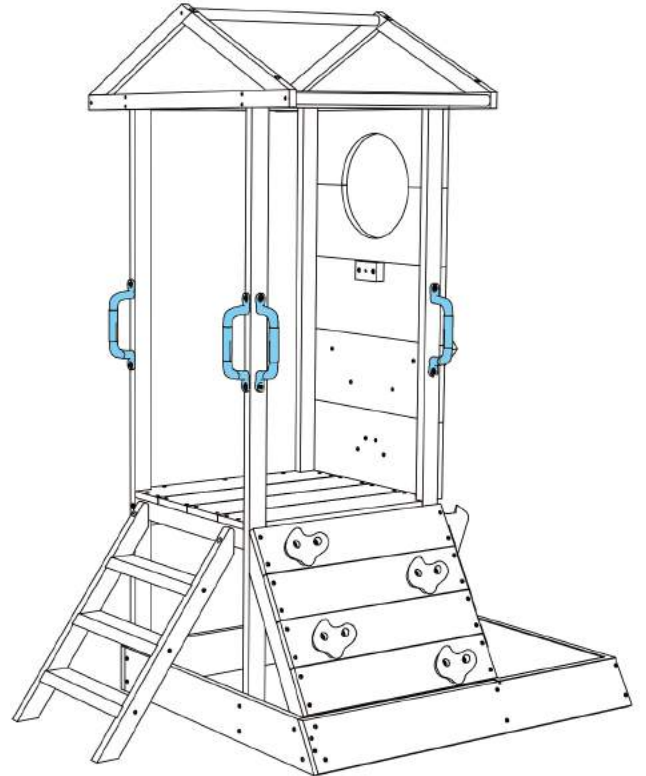
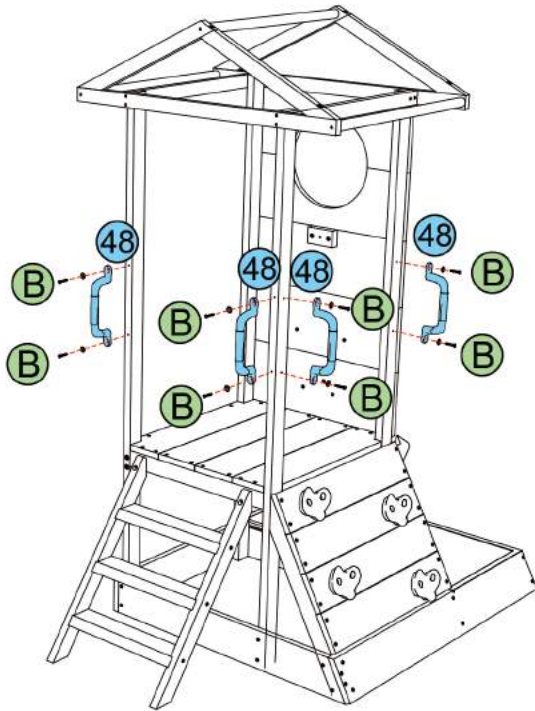


20-1



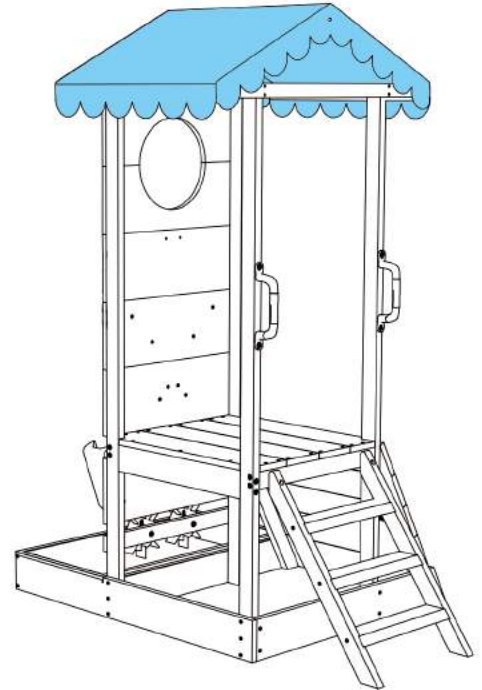
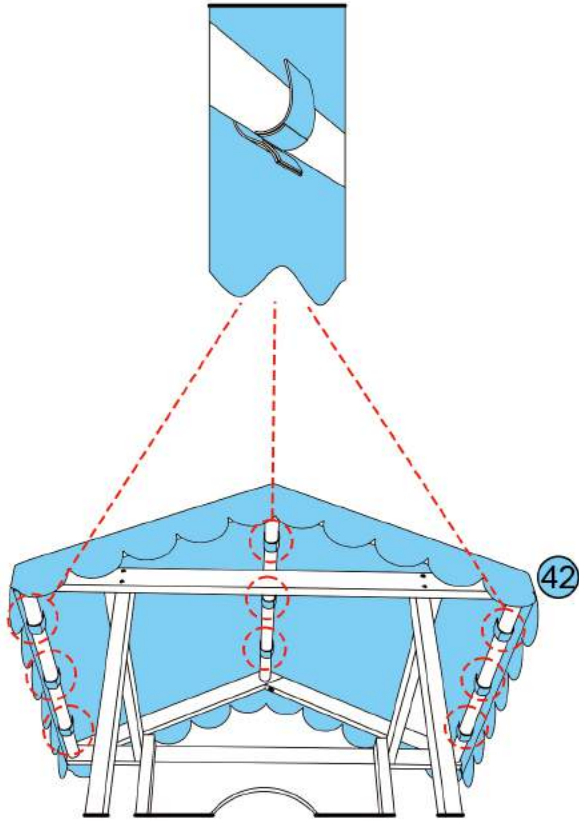
(D)  M5x40 8

21-1

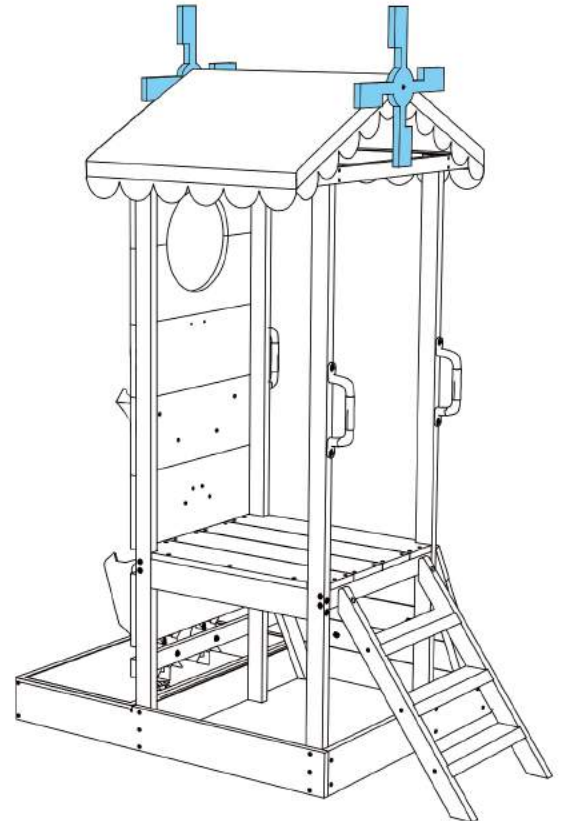
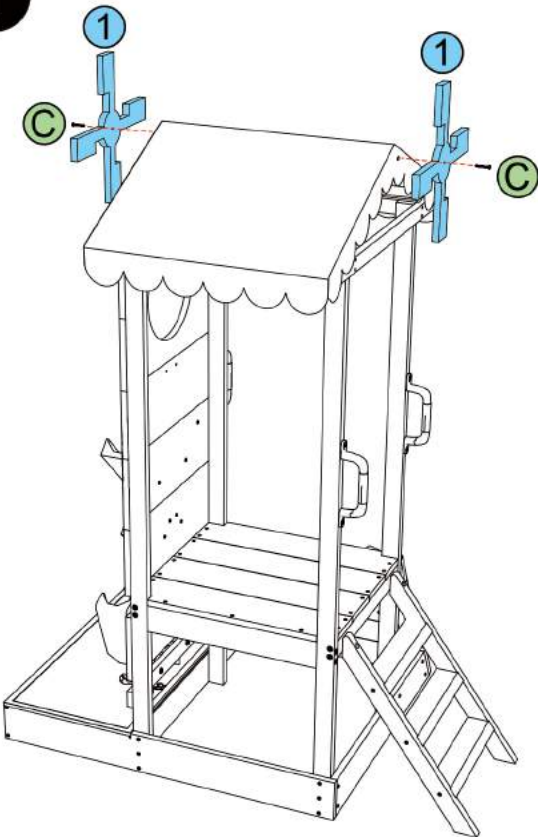


(B)  M5x30 8

22-1

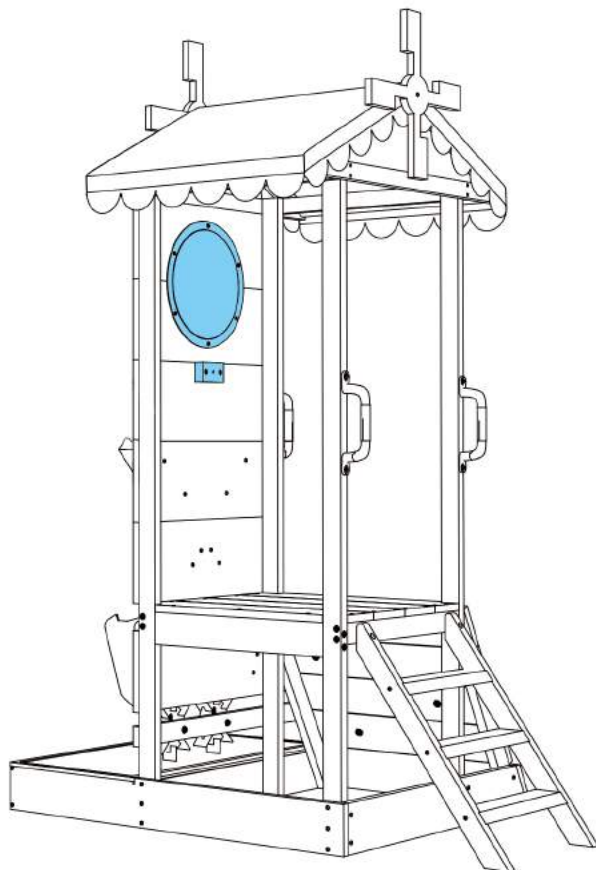
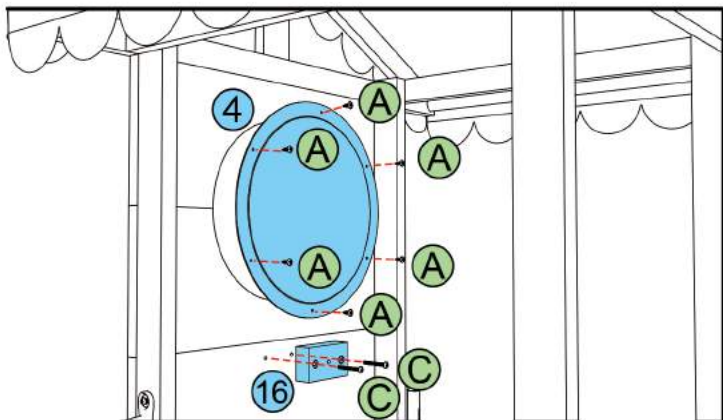


23-1



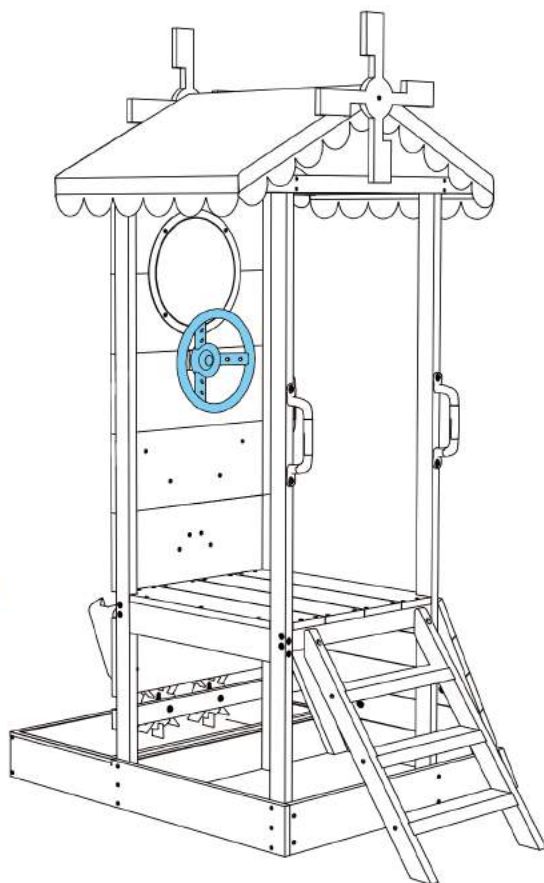
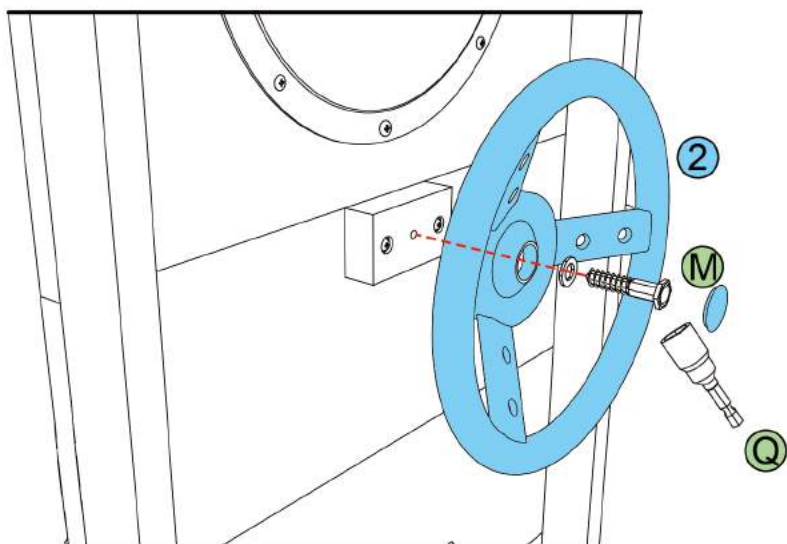
M5x35 2



24-1

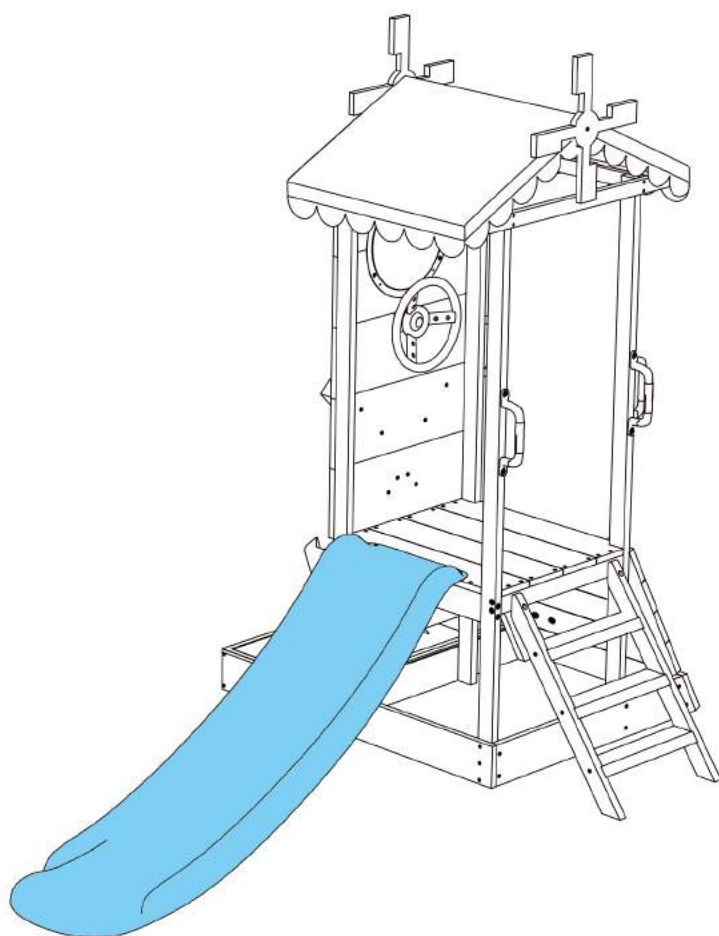
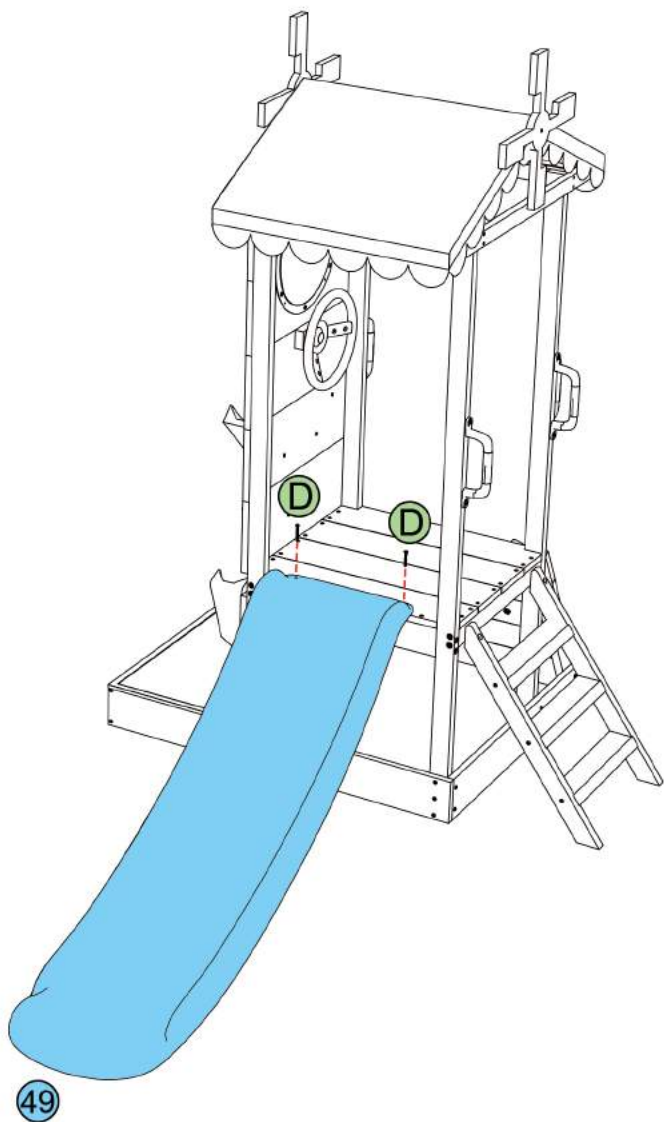


A	 M4x15	6
C	 M5x35	2

25-1



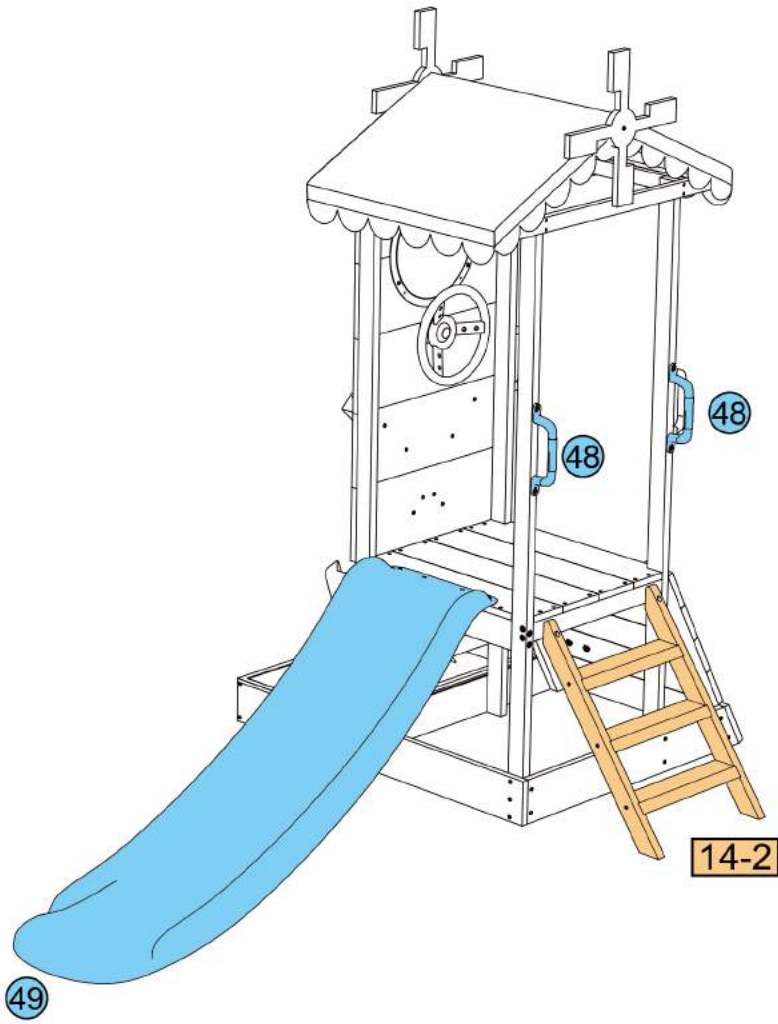
M	 M8x50	1
Q		1



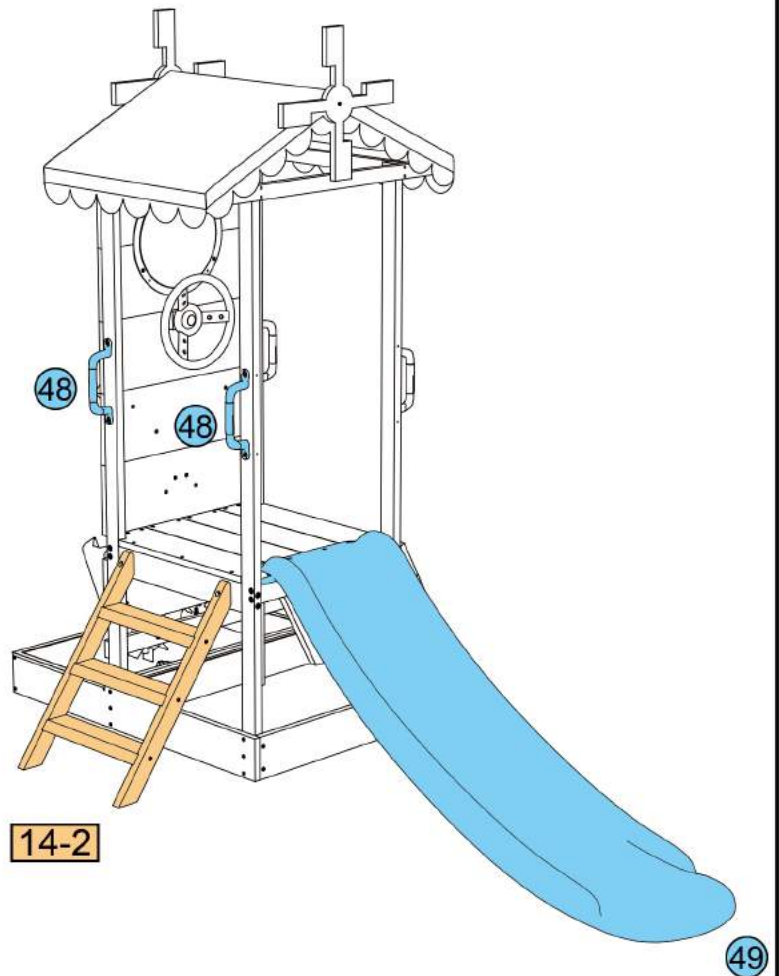
		2
--	---	---

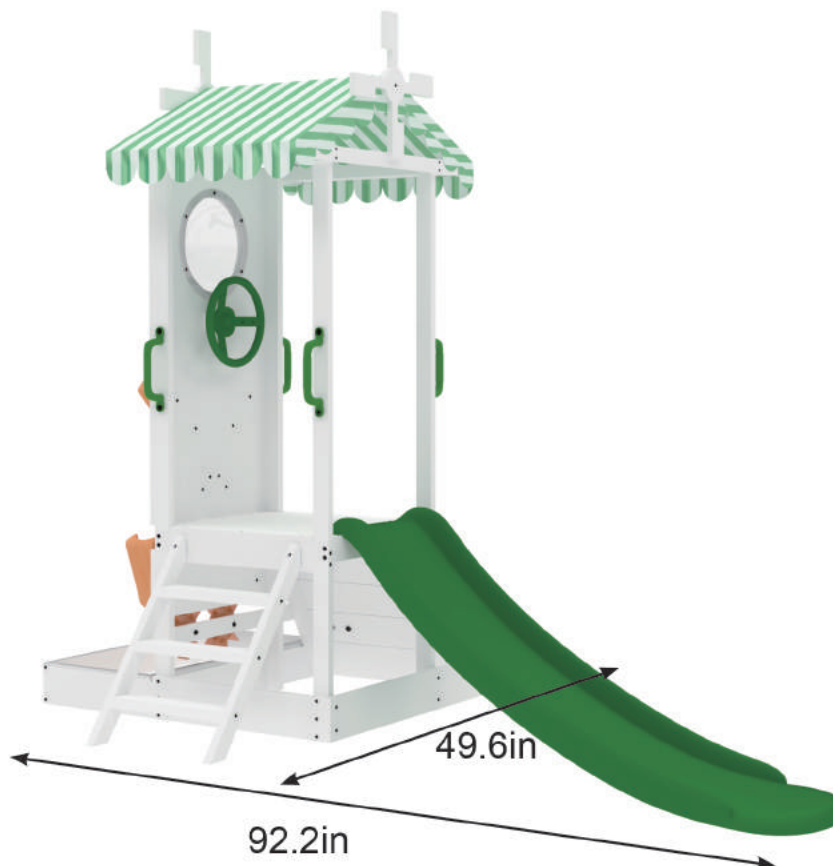
27-1

Note: Check all connections and bolts for tightness at least twice monthly during use.
Do not use if screws are loose.



Section 14-2 and 49 can be assembled differently according to different preferences, 48 need to switch with Section 14-2 together, put 48 at the original height





For questions with assembly or replacement parts, please email us at: info@avenlur.com or call us at: **888-697-3931**