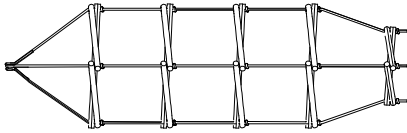


Walnut Ladder



① x1



② x1



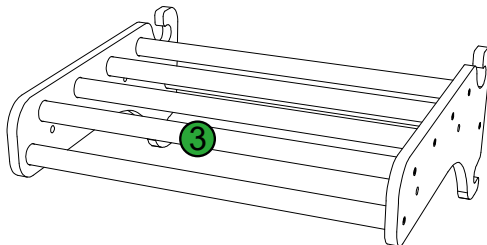
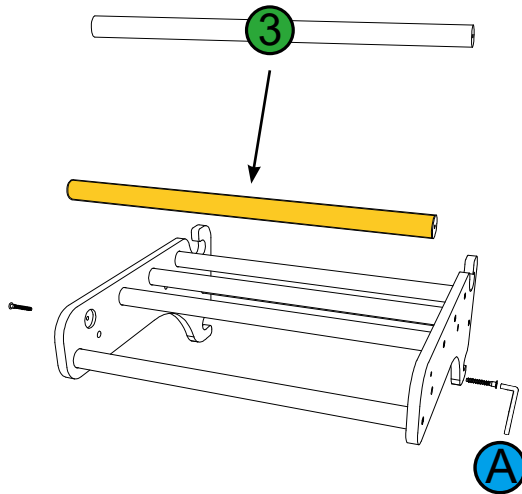
③ x1 24.3in



M4

Ⓐ x1

Note: Before adding on, replace the yellow round rod with Part ③.



Note: Wrap Part ② around Part ③ TWICE. Part ② should pass through Part ①'s rope according to the arrow on the left. Part ② must pass from bottom to top as shown by the arrow on the right, or the strap will be easy to pull out.

