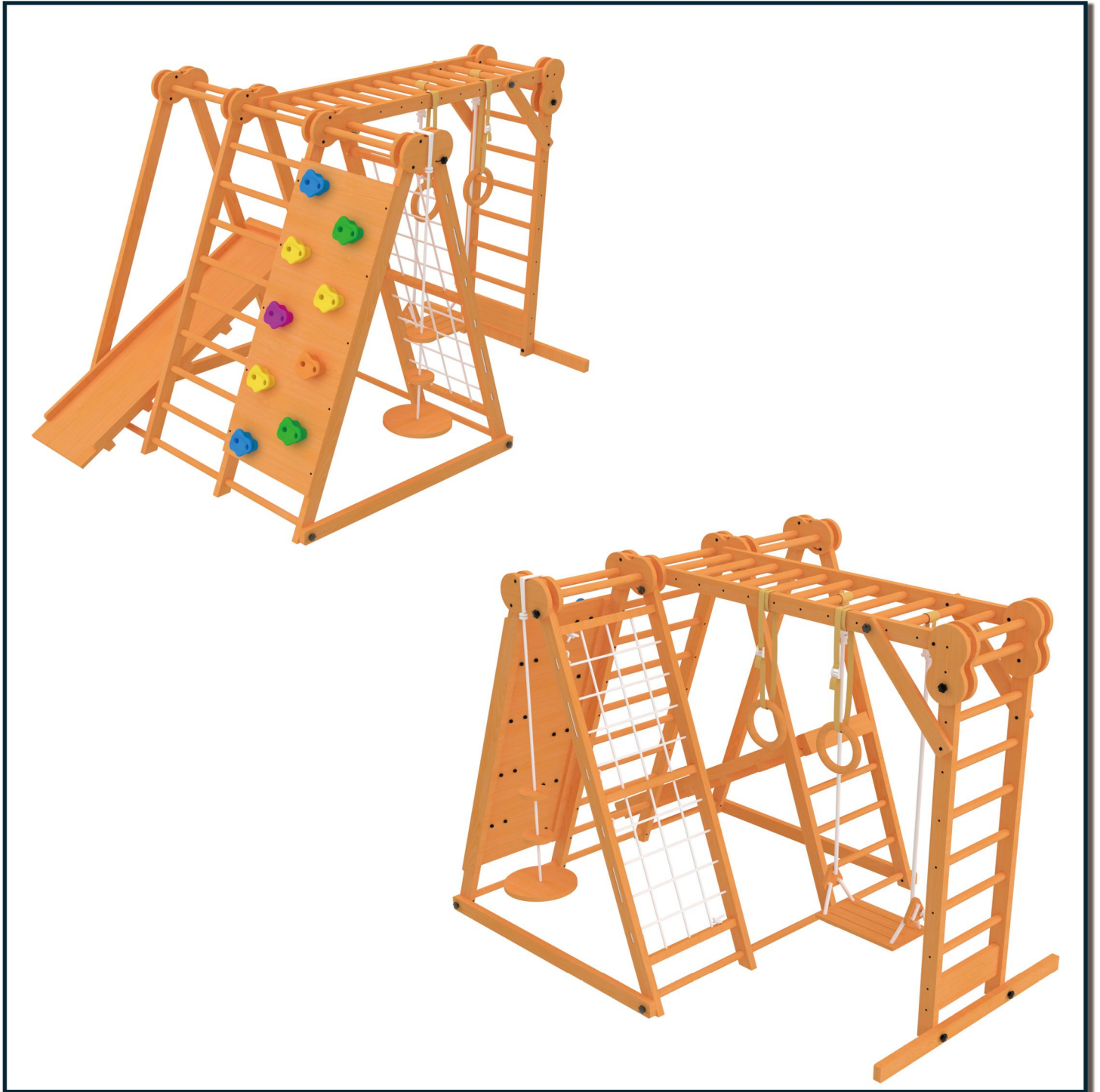


avenlur

Outdoor Chestnut-Large by Avenlur



Need Help?

CALL US AT 888.697.3931 / M-F 9AM - 5PM PT (12PM - -8PM ET)

OR EMAIL US AT INFO@AVENLUR.COM

V2-M1

PLEASE READ THIS BEFORE STARTING ASSEMBLY

PLEASE RETAIN THESE INSTRUCTIONS FOR FUTURE REFERENCE. KEEP THEM IN A SAFE PLACE, WHERE YOU CAN REFER TO THEM AS NEEDED. IN ORDER TO PROVIDE YOU WITH THE MOST EFFICIENT SERVICE, IT IS REQUIRED THAT YOU PROVIDE US WITH THE PART NUMBERS WHEN ORDERING PARTS.

PLEASE HAVE THE FOLLOWING INFORMATION WHEN YOU MAKE YOUR CALL:

1-YOUR ORDER NUMBER

2-DESCRIPTION OF THE PART FROM THE PARTS LIST AND THE PART NUMBER

3-CONTACT US AT: **AVENLUR- 888-697-3931**

READ THE ASSEMBLY MANUAL COMPLETELY, PAYING SPECIAL ATTENTION TO THE IMPORTANT TIPS AND SAFETY INFORMATION. WE ADVISE OUR CUSTOMERS TO HIRE PROFESSIONAL HELP FOR INSTALLING THIS PLAYSET.

SEPARATE AND IDENTIFY ALL PARTS TO MAKE SURE THAT YOU HAVE ALL OF THE PARTS LISTED. IF YOU CAN'T FIND ALL OF THE PARTS, CHECK THE PACKING MATERIAL. SMALL PARTS MAY HAVE FALLEN OUT OF THE PACKET AND INTO THE MAIN BOX DURING TRANSIT.

PLEASE HAVE AN ELECTRIC SCREWDRIVER AVAILABLE FOR ASSEMBLY.

PLEASE NOTE: THE WOOD IS TREATED WITH ANTICORROSIVE TREATMENT WHICH MAY RESULT IN VERY SMALL CRACKS OR ROUGH SURFACES IN AREAS. THIS IS VERY NORMAL AND STANDARD. THIS WILL NOT AFFECT THE SAFETY AND STABILITY OF THE WOOD AND THE SWINGSET.

Equipment is recommended for use by **ages 2 and older**. **Children ages 1-3 may use the baby swing, which can be purchased separately**. Our products are solid and strong and have been used in commercial settings, such as schools. However, our warranty only covers use in residential settings.

Please follow all recommendations below. **Failure to do so may result in the warranty being void and/or safety violations that could result in serious injury**. This manual contains helpful information concerning Assembly Preparation, installation Procedure, and Required Maintenance Always keep the safety of your children in mind as your play structure is being built and as your children play on the set. Before your children play on the set please review the Operation Instructions with them to help ensure their safety.

⚠ WARNING:

Children must NOT use this playcenter until the unit has been completely assembled and inspected by an adult to insure the set has been properly installed and leveled.

⚠ WARNING:

This Symbol points out important safety instructions which, if not followed, could endanger the personal safety of yourself and your children and/or damage your property. You **MUST** read and follow all instructions in this manual before attempting to use this playcenter.

⚠ WARNING:

CONTINUOUS ADULT SUPERVISION REQUIRED!

⚠ WARNING:

STRANGULATION HAZARDS

1. Never allow children to play with ropes, clotheslines, pet leashes, cables, chains or cord-like items when using this playcenter or to attach items to playcenter.
2. Never allow children to wear loose fitting clothing, ponchos, hoods, scarves, capes,

- necklaces or items with draw-strings, cords or ties when using this playcenter.
3. Never allow children to wear bike or sport helmets when using this playcenter.
 4. Failure to prohibit these items increases the risk of serious injury and death to children from entanglement and strangulation.

⚠ WARNING:

SERIOUS HEAD INJURY HAZARD

Maintaining shock absorbing materials under and around the playcenter as recommended in the installation & operation instructions, installation over concrete, asphalt, dirt grass, carpet and other hard surfaces creates a risk of serious injury or death from falls to the ground.

Positioning Your Playcenter

1. The playcenter is designed to be installed on a level surface by an Adult with an Adult helper. Place in a flat area of your yard to minimize ground preparation.
2. Choose a leveled location for the equipment, this can reduce the likelihood of the play set tipping over and loose-fill surfacing material washing away during heavy rains.
3. Place the equipment not less than **6 ft (1.8 m)** from any structure or obstruction such as a fence, garage, house, overhanging branches, laundry lines, or electrical wires.
4. Provide enough room so that the children can use the equipment safely. For example, for structures with multiple play activities, a slide should not exit in front of a swing.
5. It is a good idea to place your playcenter in an area that is convenient for adults to watch children at play.
6. Create a site free of obstacles that could cause injuries- such as low overhanging tree branches, overhead wires, tree stumps and/or roots, large rocks, bricks and concrete. Additional suggestions in the Suggested Playground Surfacing Section.

Suggested Playground Surfacing

1. Do not install home playground equipment over concrete, asphalt, packed earth, artificial grass, or any other hard surface. A fall onto a hard surface can result in serious injury to the equipment user.
2. Do not install loose fill surfacing over hard surfaces such as concrete or asphalt. Shredded bark mulch, wood chips, fine sand and fine gravel, are added as shock absorbing materials after assembly. If used properly these materials can absorb some of the impact of a child's fall.
3. All surface material should extend a minimum of 6 feet in all directions around the play area.
4. Do not apply playground surfacing until after the unit is completely constructed. Playcenter should not be built on top of surfacing.
5. Use containment, such as digging out around the perimeter and/or lining the perimeter with landscape edging.
6. Installations of rubber tiles or poured-in-place surfaces (other than loose-fill materials) generally require a professional and are not "do-it-yourself" projects.
7. Use Playground Surfacing Materials (other than loose-fill materials) which comply with the safety standard ASTM F1292 Standard Specification of Impact Attenuation of Surfacing Materials within the Use Zone of Playground Equipment.

Operating Instructions:

NOTE: Your children's safety is our No.1 concern.

Observing the following statements and warnings reduces the likelihood of serious or fatal injury.

Please review these safety rules regularly with your children.

1. On-site adult supervision is required.
2. Instruct children not to walk close to, in front of, behind, or between moving swings or other moving playground equipment.

3. Instruct children to sit in and never stand on swings.
4. Instruct children not to twist the chains and ropes and not to loop them over the top support bar, since this may reduce the strength of the chain or rope.
5. Instruct children not to jump from swings or other playground equipment in motion.
6. Instruct children not to push empty seats. The seat may hit them and cause serious injury.
7. Instruct and teach children to sit in the center of the swings with their full weight on the seats.
8. Instruct children not to use the equipment in a manner other than intended.
9. Instruct children to always go down slides feet first. Never slide head first.
10. Instruct children to look before they slide to make sure no one is at the bottom.
11. Instruct children to never run up a slide, as this increases their chances of falling.
12. The parents should dress children appropriately. (Examples would include the use of well-fitting shoes and the avoidance of ponchos, scarfs, and other loose-fitting clothing that is potentially hazardous while using equipment).
13. Instruct children not to climb when the equipment is wet.
14. Instruct children to never jump from high areas. They should always use the ladder, ramp or slide.
15. Instruct children to never crawl on top of the set.
16. Verify that any suspended climbing ropes, chain, or cable are secured at both ends and that they cannot be looped back on it.
17. Instruct children not to attach items to the playground equipment that are not specifically designed for use with the equipment, such as, but not limited to, jump ropes, clothes line, pet leashes, cables and chain as they may cause a strangulation hazard.
18. Instruct children to never wrap their legs around swing rope. Instruct children to never slide down the swing rope. Instruct children to remove their bike or other sports helmet before playing on playground equipment.

Maintenance Instructions:

General Maintenance:

1. The playset should not be left outdoors during inclement weather. It should be stored in a dry area or brought inside. Failure to do so may cause damage, and will not be covered by the warranty.
2. Check the wood and hardware every two weeks due to wood expansion and contraction. It is particularly important that this procedure be followed at the beginning of each season.
3. Inspect wood parts monthly. The grain of the wood sometimes will lift in the dry season causing splinters to appear. Light sand may be necessary to maintain a safe playing environment. Treat your playcenter with stain regularly, to help prevent severe checking/splitting and other weather damage.
4. A waterborne ultra violet and water repellent stain has been applied to your playcenter. Once or twice a year, depending on your climate conditions, you must apply some type of protection (sealant) to the wood of your unit. Prior to the application of sealant, lightly sand any "rough" spots on your playcenter. Please note this is a requirement of your warranty.
5. Assembling and maintaining the playcenter on a level location is very important. As your children play, your playcenter will slowly dig its way into the soil, and it is very important that it settles evenly. Make sure the playcenter is level and true one each year or at the beginning of each play season.

At the beginning of each play season:

- Tighten all hardware.
- Check all moving parts including swing seats, ropes, cables, and chains for wear, rust, or other deterioration. Replace as needed.
- Check metal parts for rust. If found, sand and repaint using a non Lead-based paint meeting the requirements of 16 CFR 1303.
- Check all wood members for deterioration and splinters. Sand down splinters use a

sealant on deteriorating wood parts.

Rake and check depth of loose fill protective surfacing materials to prevent compaction and to maintain appropriate depth. Replace as necessary.

Twice a month during play season:

Tighten all hardware.

Rake and check depth of loose fill protective surfacing materials to prevent compaction and to maintain appropriate depth. Replace as necessary.

Disposal Instructions:

When the Playcenter use is no longer desired, it should be disassembled and disposed of in such a way that no unreasonable hazards will exist at the time the unit is discarded.

What causes weathering? Does it affect the strength of my product?

One of the main reasons for weathering is the effects of water (moisture); the moisture content of the wood at the surface is different from the interior of the wood. As the climate changes, moisture moves in or out of the wood, causing tension which can result in checking and or warping. You can expect the following due to weathering. These changes will not affect the strength of the product:

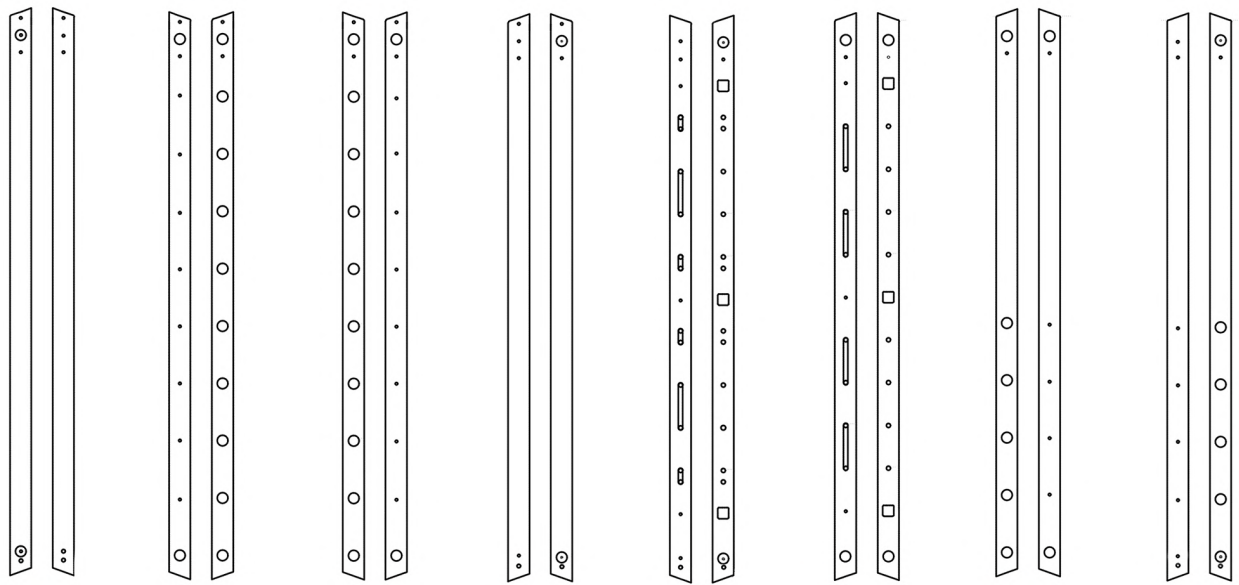
1. Checking is surface cracks in the wood along the grain. A post (4"x 4") will experience more checking than a board (1"x4") because the surface and interior moisture content will vary more widely than in thinner wood.
2. Warping results from any distortion (twisting, cupping) from the original plane of the board and often happens from rapid wetting and drying of the wood.
3. Fading happens as a natural change in the wood color as it is exposed to sun-light and will turn gray over time.

How can I reduce the amount of weathering to wood products?

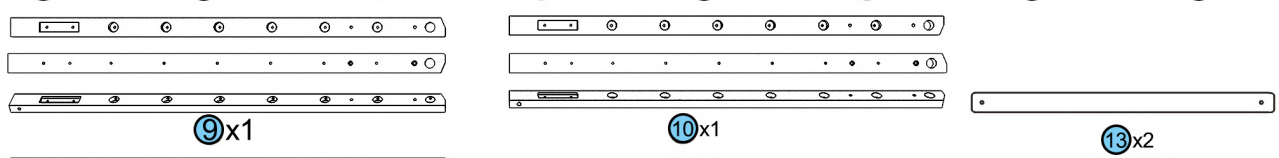
1. Your wood product is coated with a water based wood sealer which contains water repellent and an Ultraviolet stabilizer has been applied. Sunlight will break down the coating, so we recommend applying a water repellent or stain on a yearly basis (see your local stain and paint supplier for a recommended product). You must apply some type of protection (sealant) to the wood of your product. Please note this is a requirement of your warranty. Most weathering is just the normal result of nature and will not affect safety. However if you are concerned that a part has experienced a severe weathering problem please call our customer service department for further assistance.

2. Inspect wood parts monthly. The grain of the wood sometimes will lift in the dry season causing splinters to appear. Light sanding may be necessary to maintain a safe environment. Treating your Product with protection (sealant) after sanding will help prevent severe checking/ splitting and other weather damage.

3. During inclement weather, store the playset, or bring it inside. This set is not designed to stay outdoors year-round. However, if you treat the wood regularly, it will last much longer outside. Mold, rot, cracks, splinters, and fading are not covered under the warranty.



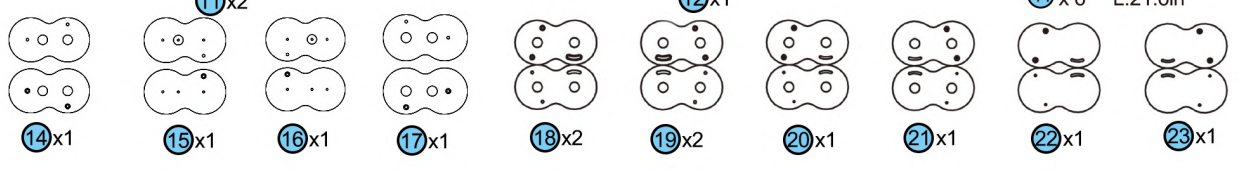
①x1 ②x1 ③x1 ④x1 ⑤x1 ⑥x1 ⑦x1 ⑧x1



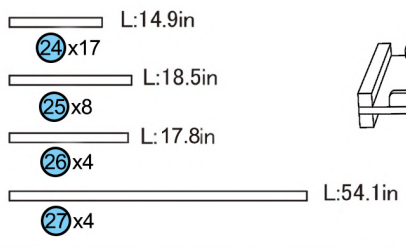
⑨x1 ⑩x1 ⑬x2



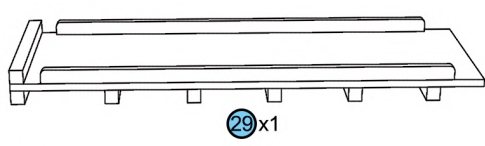
⑪x2 ⑫x1 ⑬x2 L:216.5in



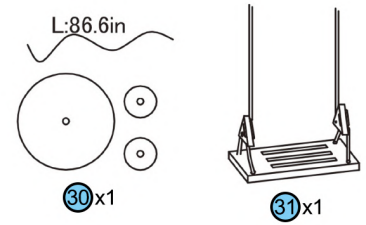
⑭x1 ⑮x1 ⑯x1 ⑰x1 ⑱x2 ⑲x2 ⑳x1 ㉑x1 ㉒x1 ㉓x1



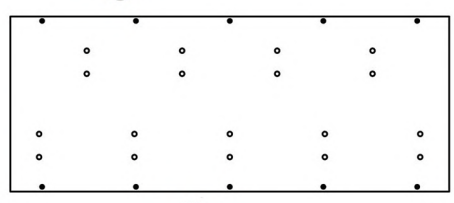
L:14.9in ⑳x17
L:18.5in ㉑x8
L:17.8in ㉒x4
L:54.1in ㉓x4



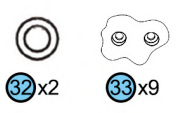
㉔x1



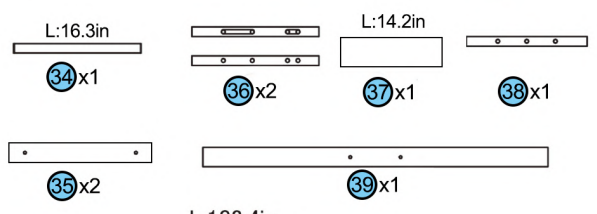
㉕x1 ㉖x1 L:86.6in



㉗x1



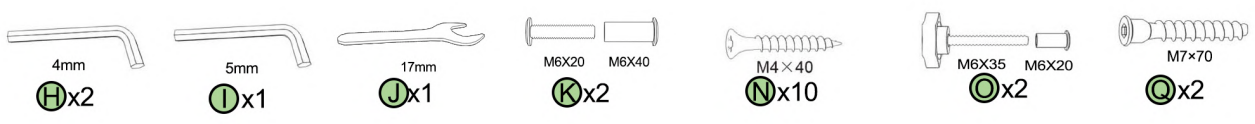
㉘x2 ㉙x9



L:16.3in ㉚x1 ㉛x2 L:14.2in ㉜x1 ㉝x1
㉞x2 ㉟x1 L:102.4in ㊱x2



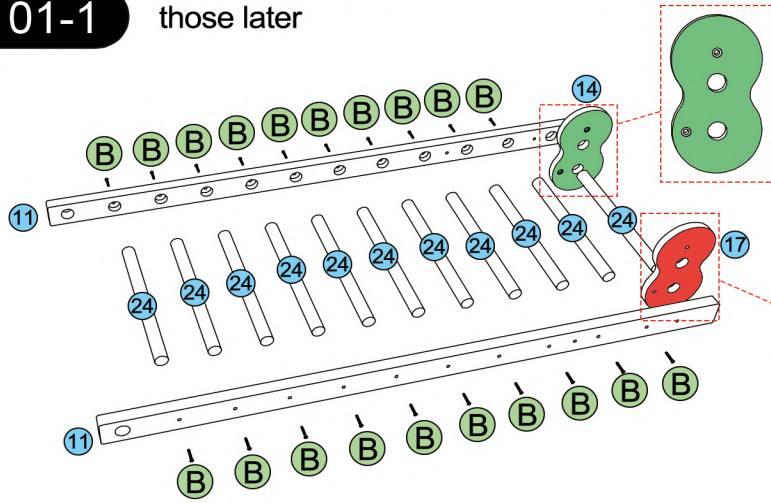
M4x20 ㉞x46 M6.3x40 ㉟x76 M10x35 ㊲x18 M6x50 M6x20 ㊳x6 M6x50 M6x20 ㊴x10 M8x45 M8x20 ㊵x4 M8x80 M8x20 ㊶x2



4mm ㊷x2 5mm ㊸x1 17mm ㊹x1 M6x20 M6x40 ㊺x2 M4x40 ㊻x10 M6x35 M6x20 ㊼x2 M7x70 ㊽x2

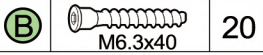
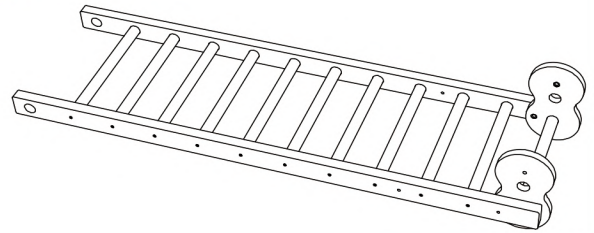
01-1

Note: Pay attention to all the black bubbled section markers. The manual may refer back to those later



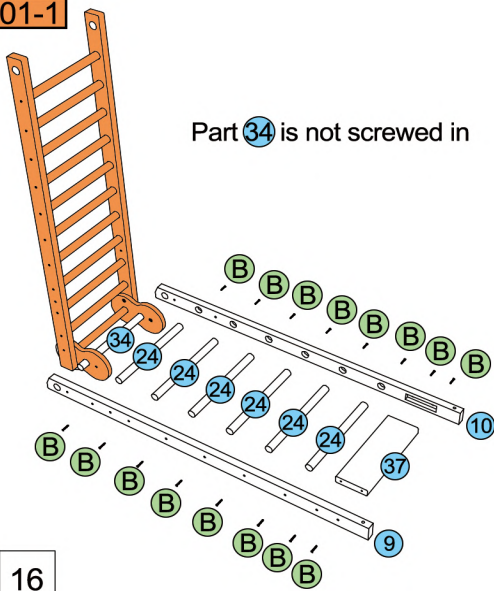
NOTE: Pay attention to the holes on the part 17 & 14, make sure parts 17 & 14 are facing the correct direction as shown.

After screwing in the parts of each section, go back and re-screw them for tightness. If some screws are stubborn, use the manual hex wrench provided

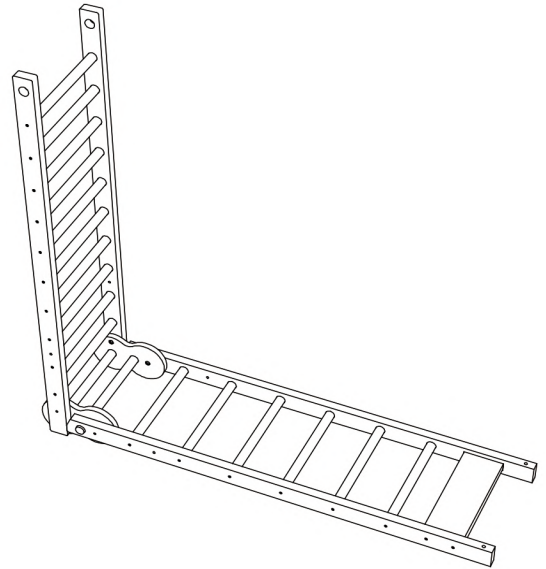


01-2

01-1

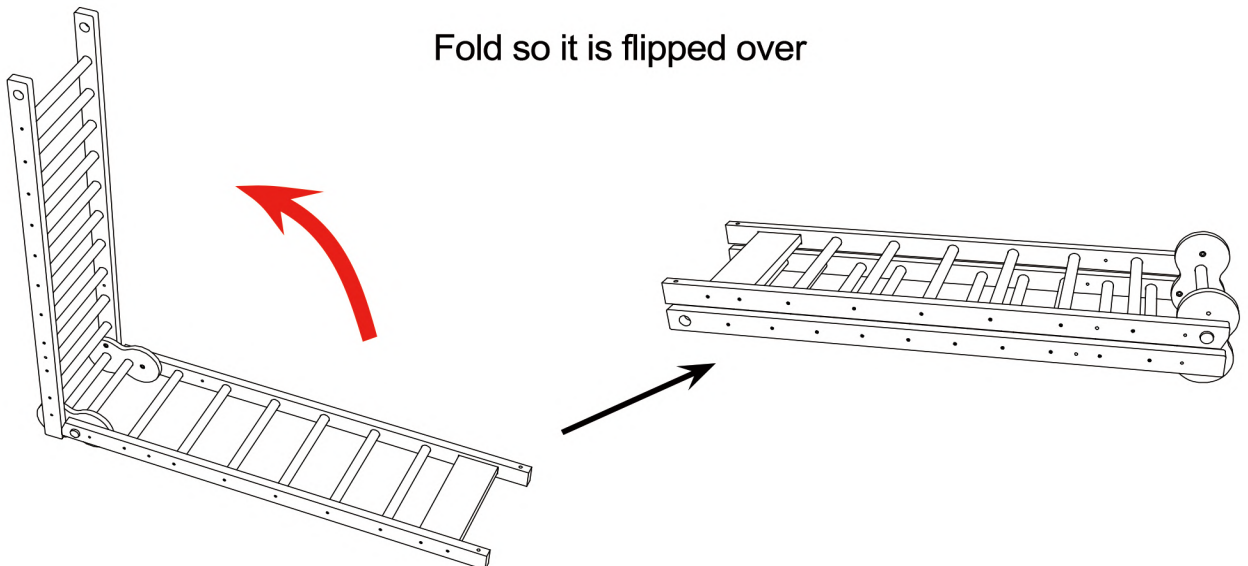


Part 34 is not screwed in

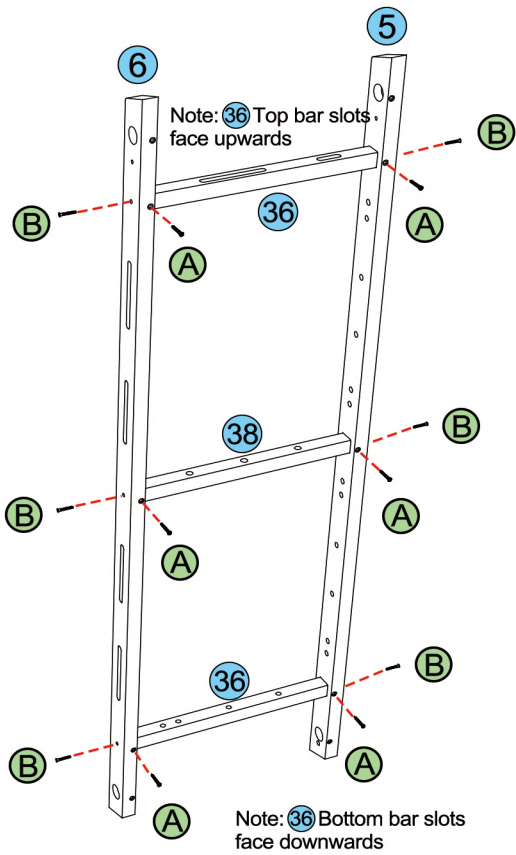


01-3

Fold so it is flipped over

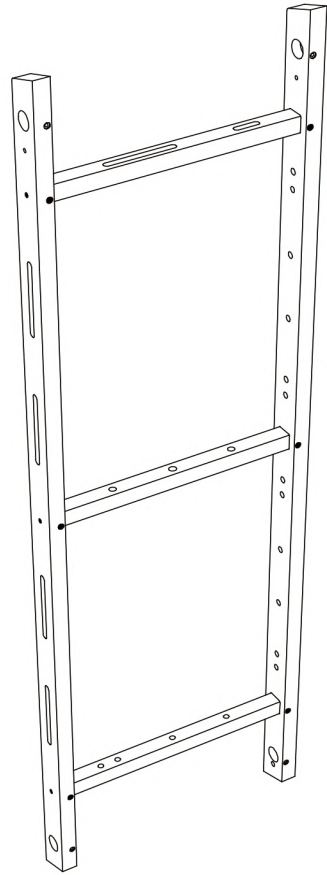


02-1

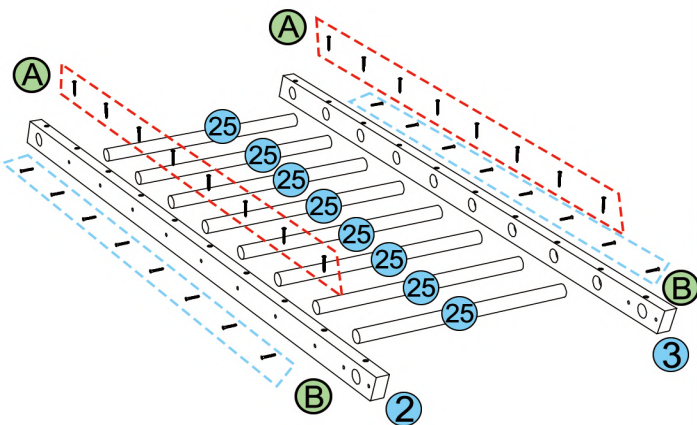


(A)		6
(B)		6

02-2

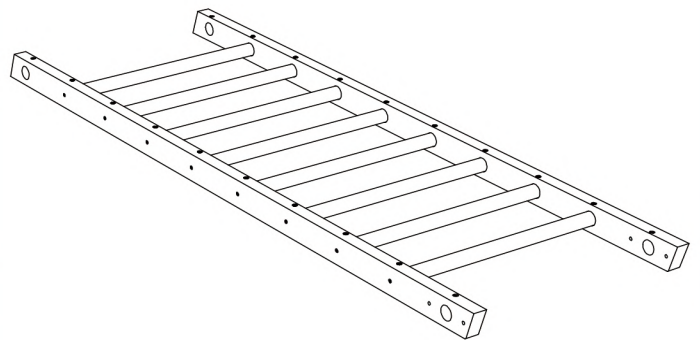


03-1



(A)		16
(B)		16

03-2

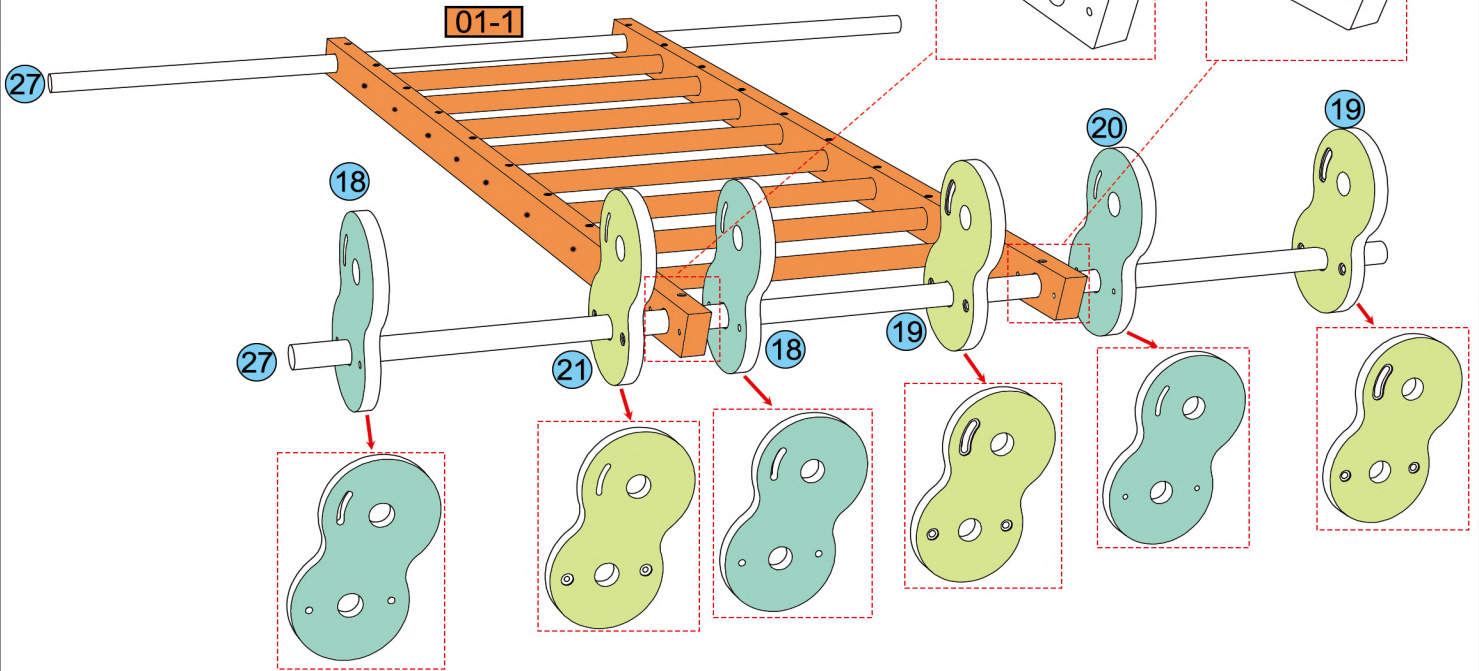


04-1

Note:

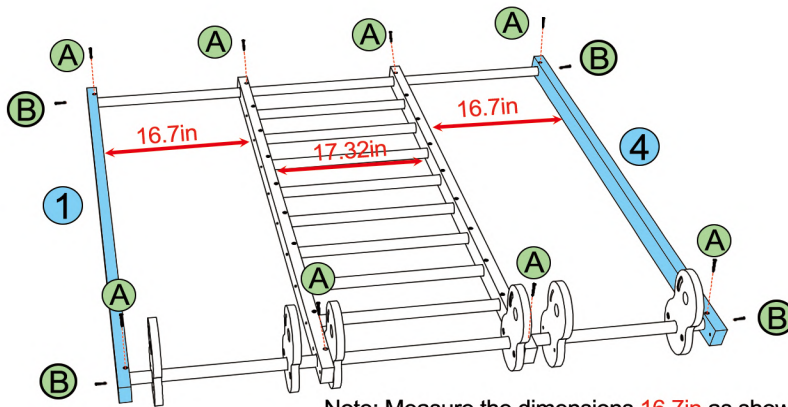
1. Slide bar 27 through one beam then add the middle parts of 18 and 19.
2. Slide 27 through the other beam and add the other 4 parts on the ends as shown.

Note: Parts 18-21 go on the ends with these holes



NOTE: Pay attention to the holes on the part 18, 19, 20 & 21, make sure parts 18, 19, 20 & 21 are facing the correct direction as shown.

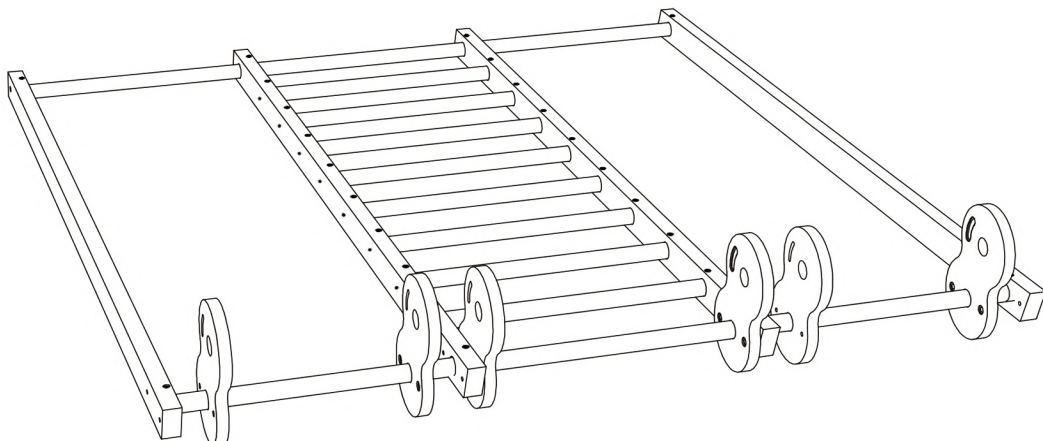
04-2



(A)		8
(B)		4

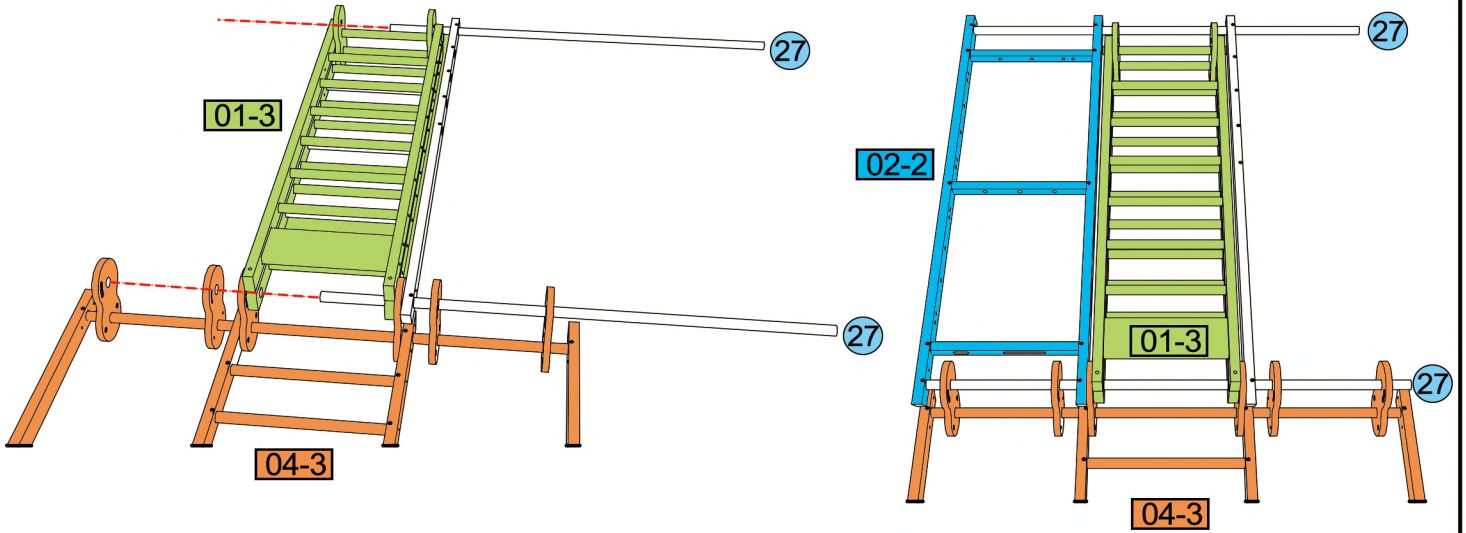
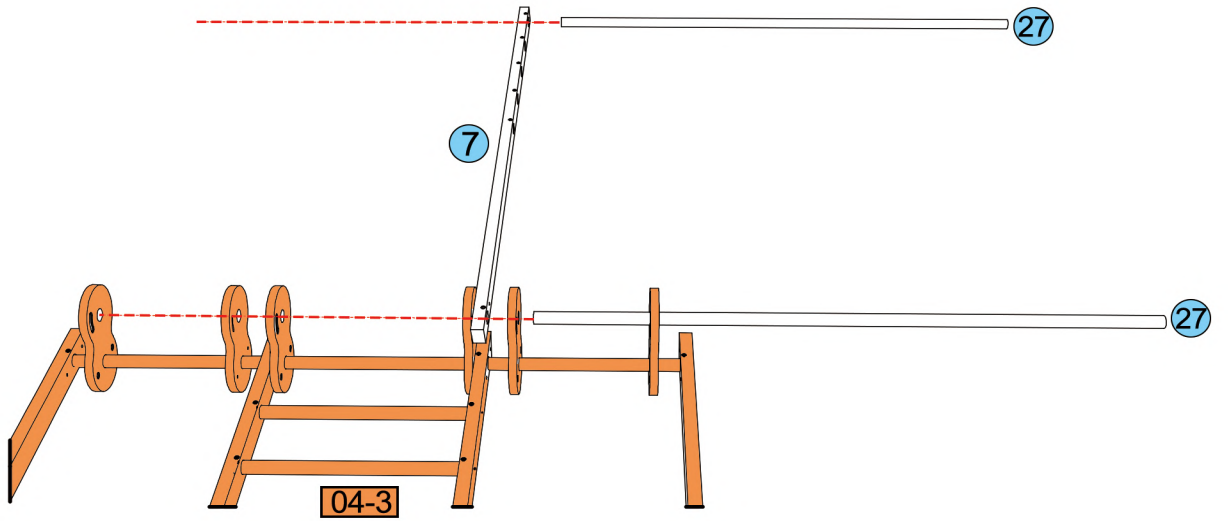
Note: Measure the dimensions 16.7in as shown before tightening the screws

04-3

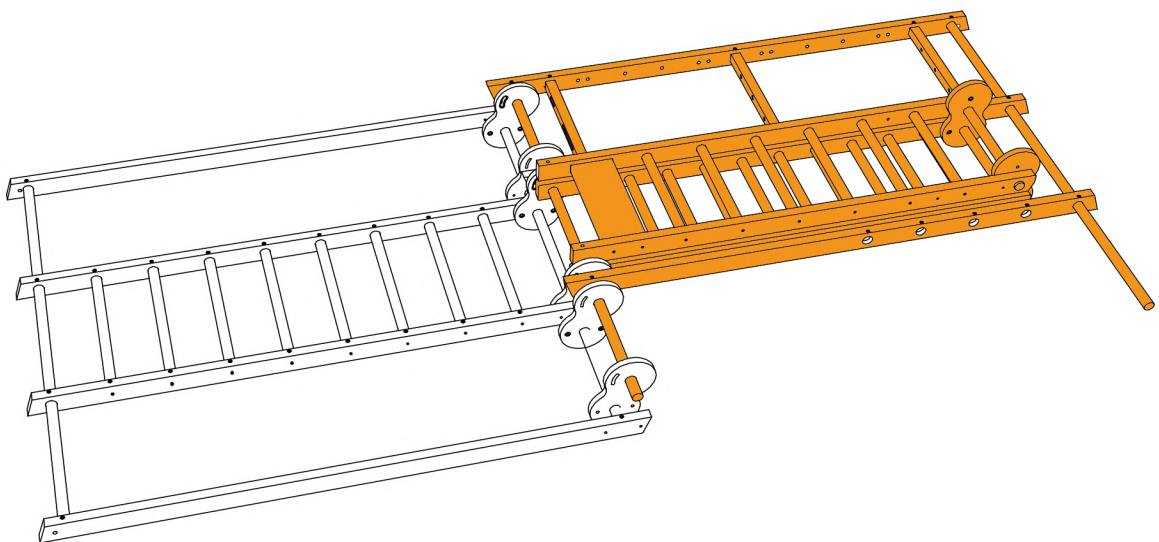


05-1

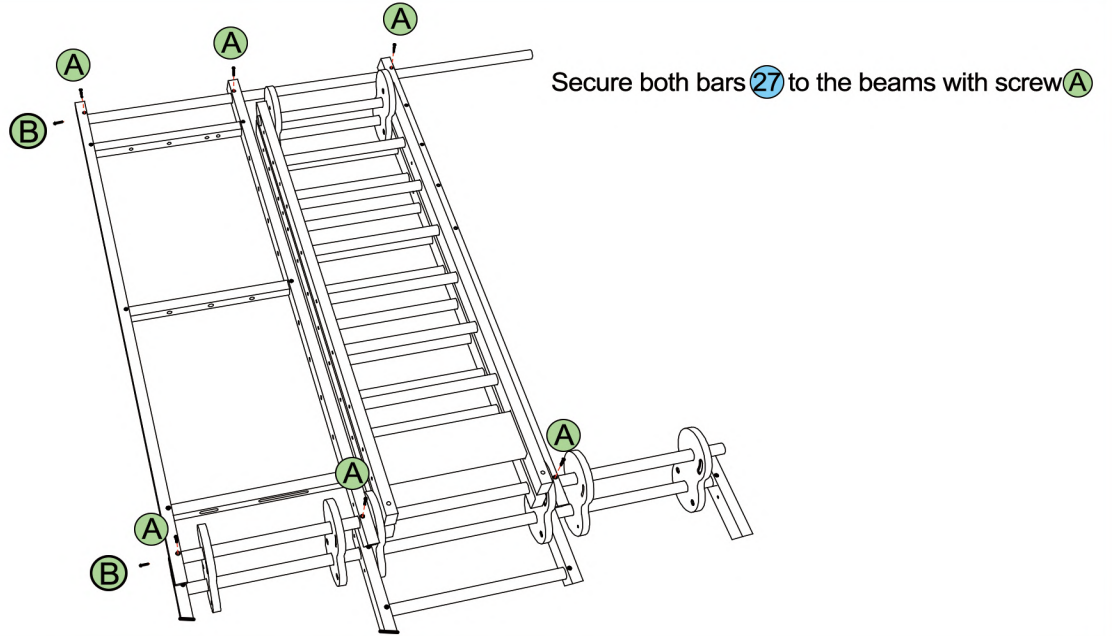
Note: Add section 01-3 and 02-2 by sliding parts 27 through the holes as shown



05-2

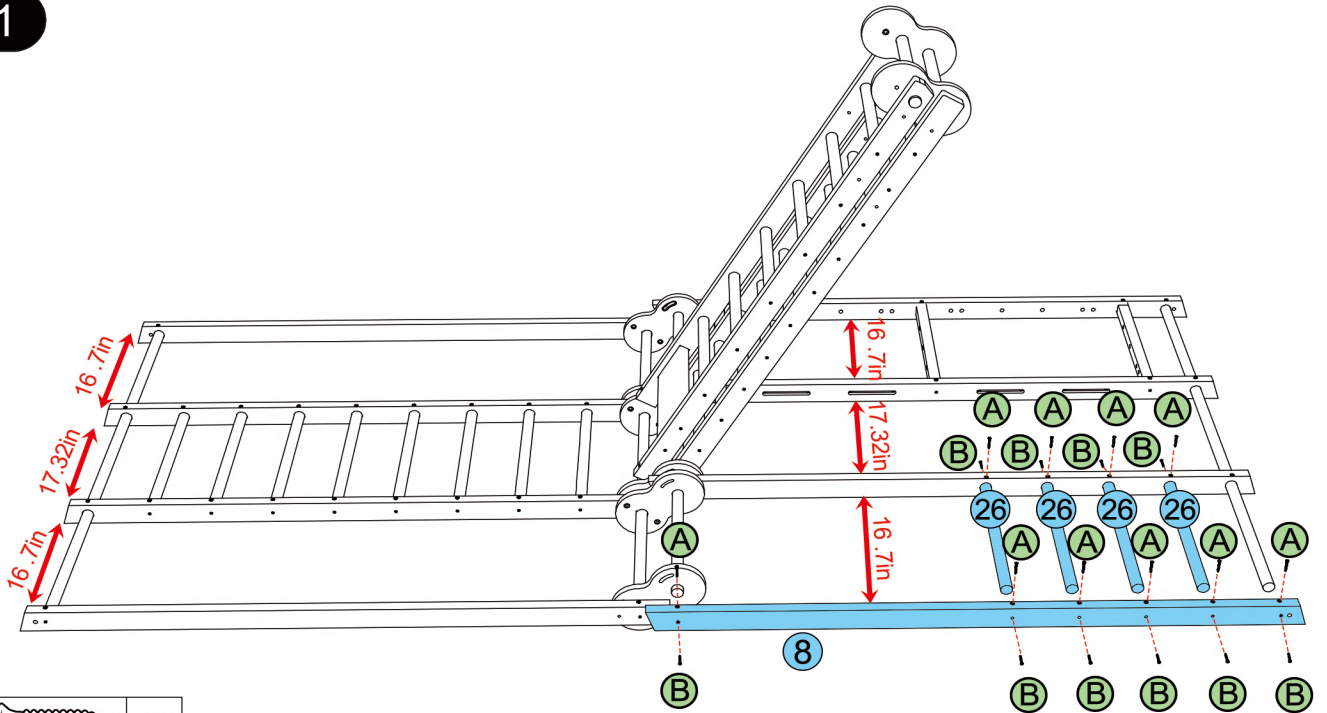


05-3



A		6
B		2

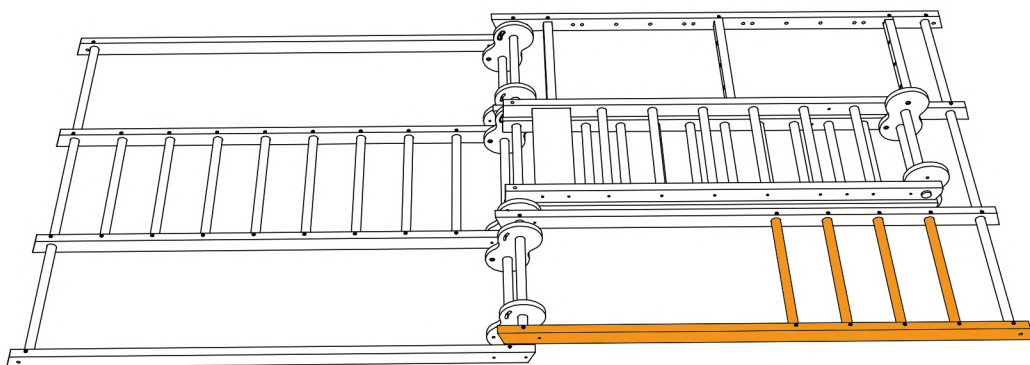
06-1



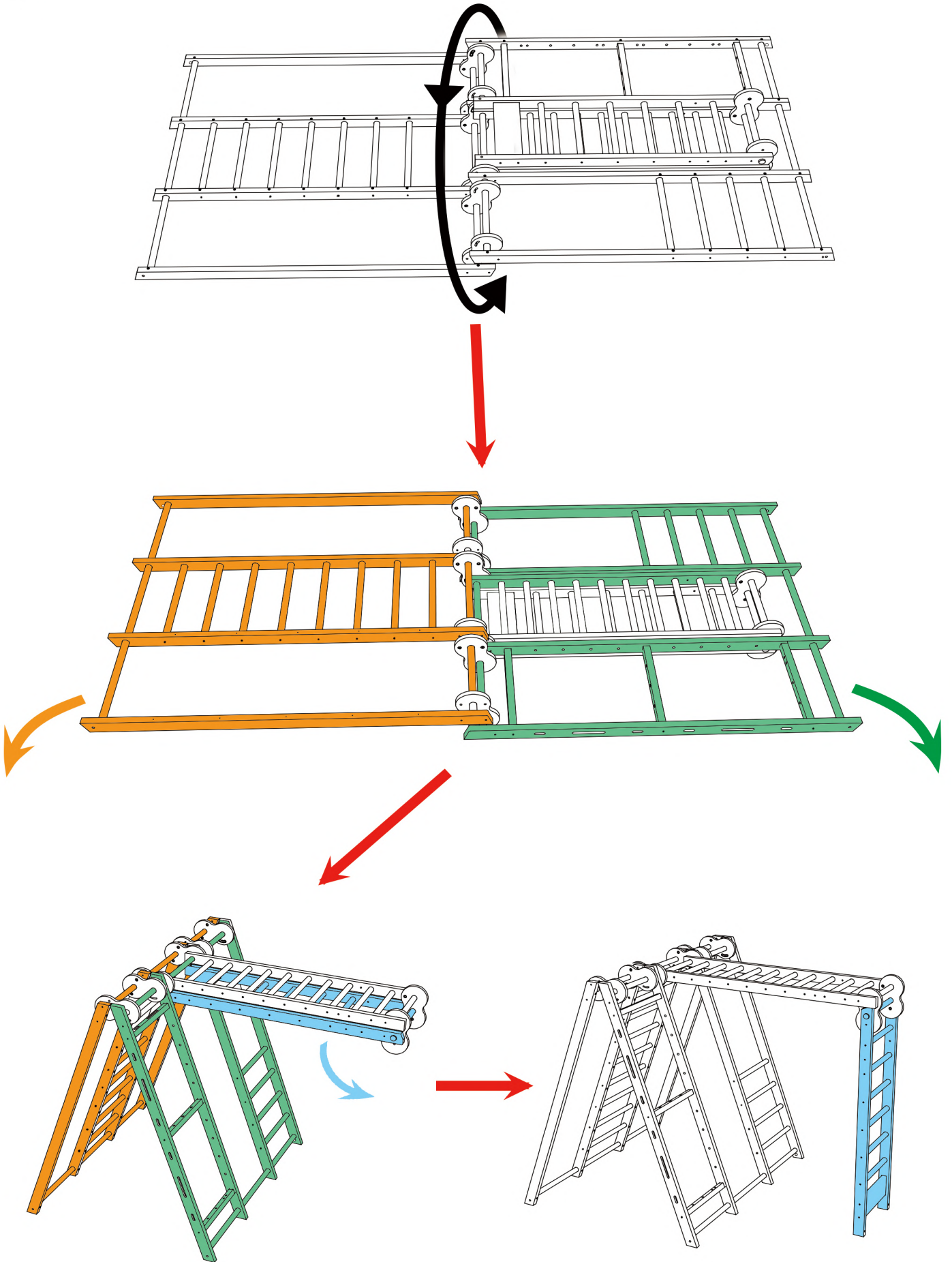
A		10
B		10

Note: Measure the dimensions 16.7in as shown before tightening the screws

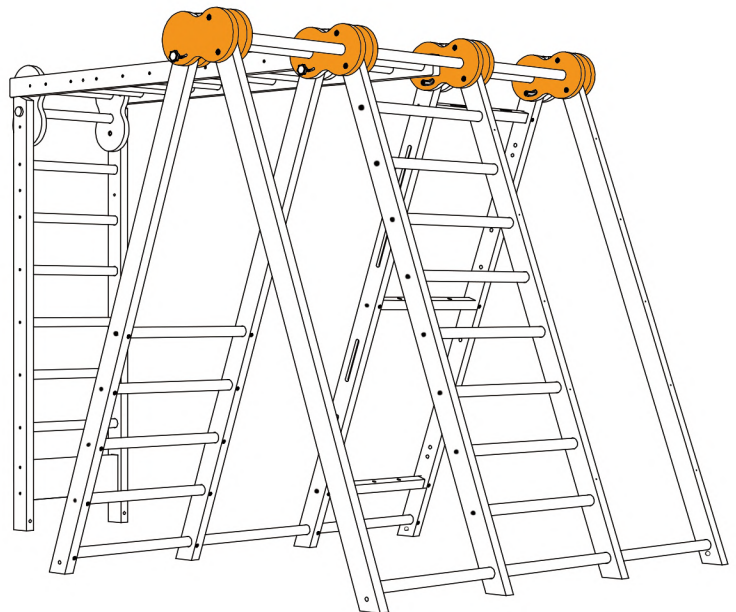
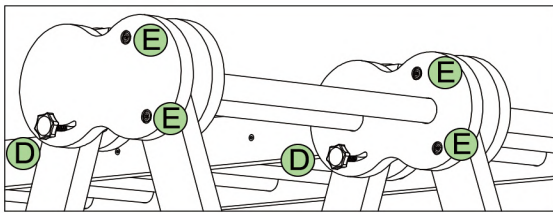
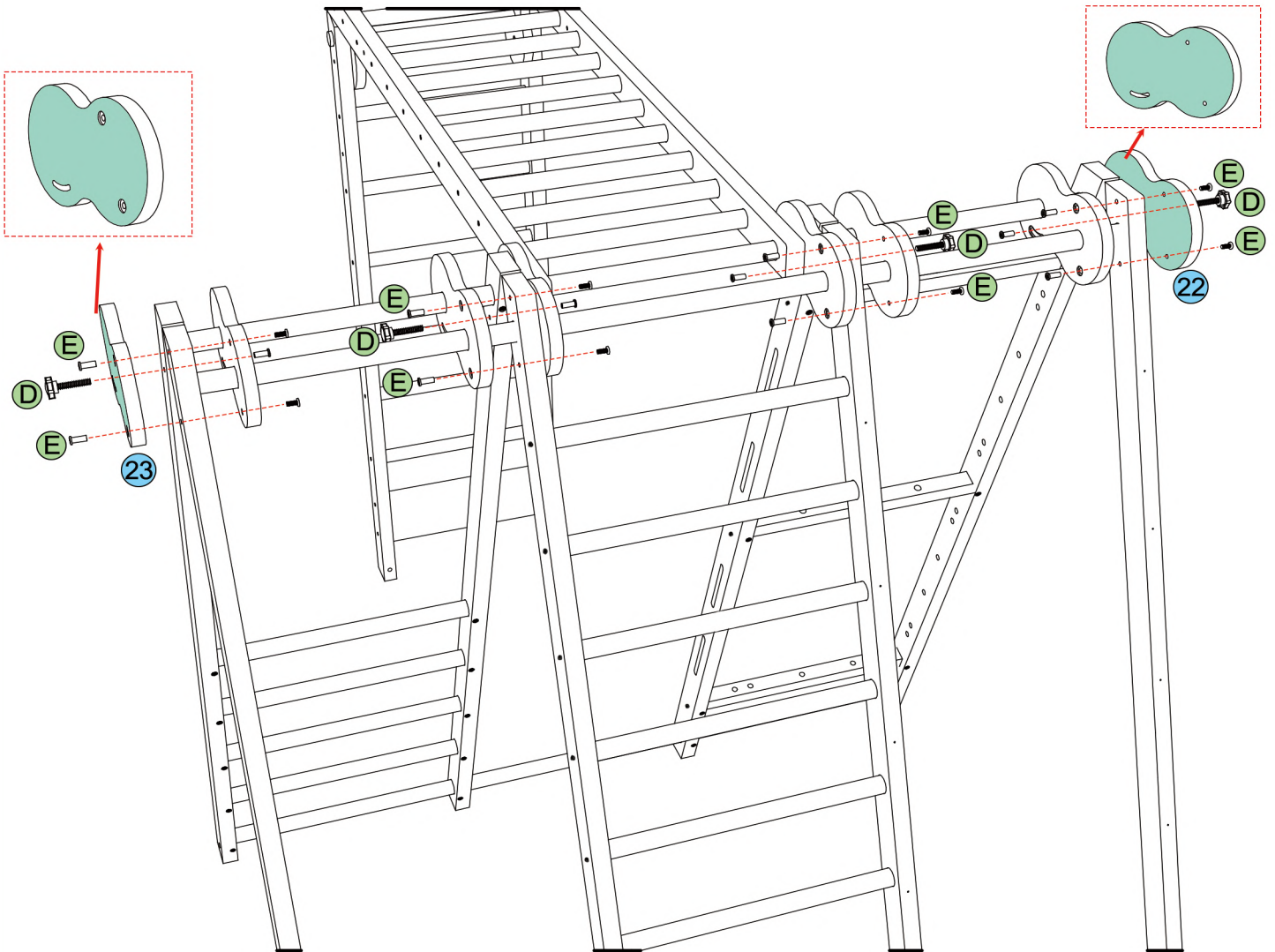
06-2

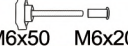
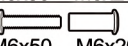
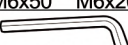


07-1

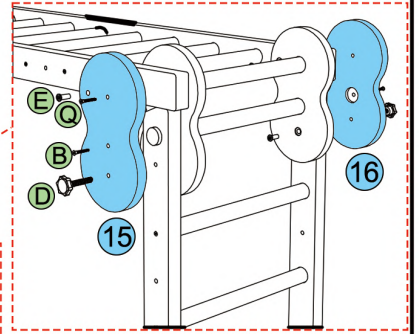
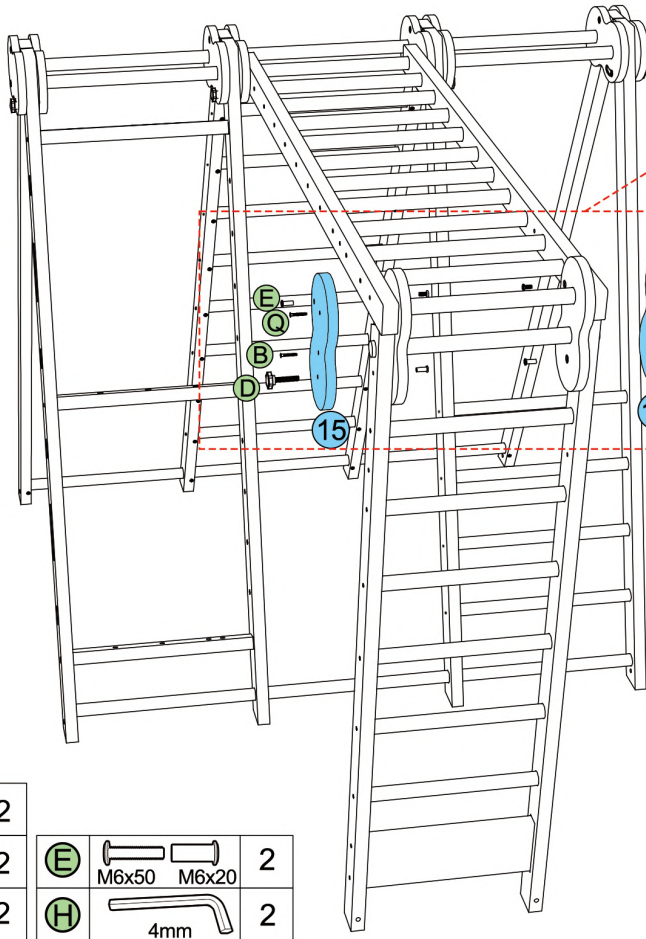


NOTE: Pay attention to the holes on the part 22 & 23, make sure parts 22 & 23 are facing the correct direction as shown.



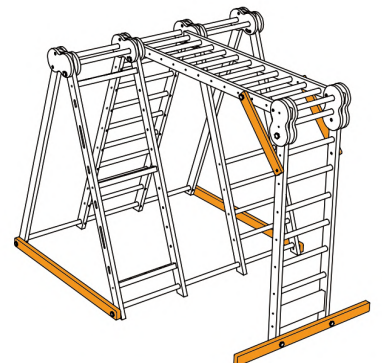
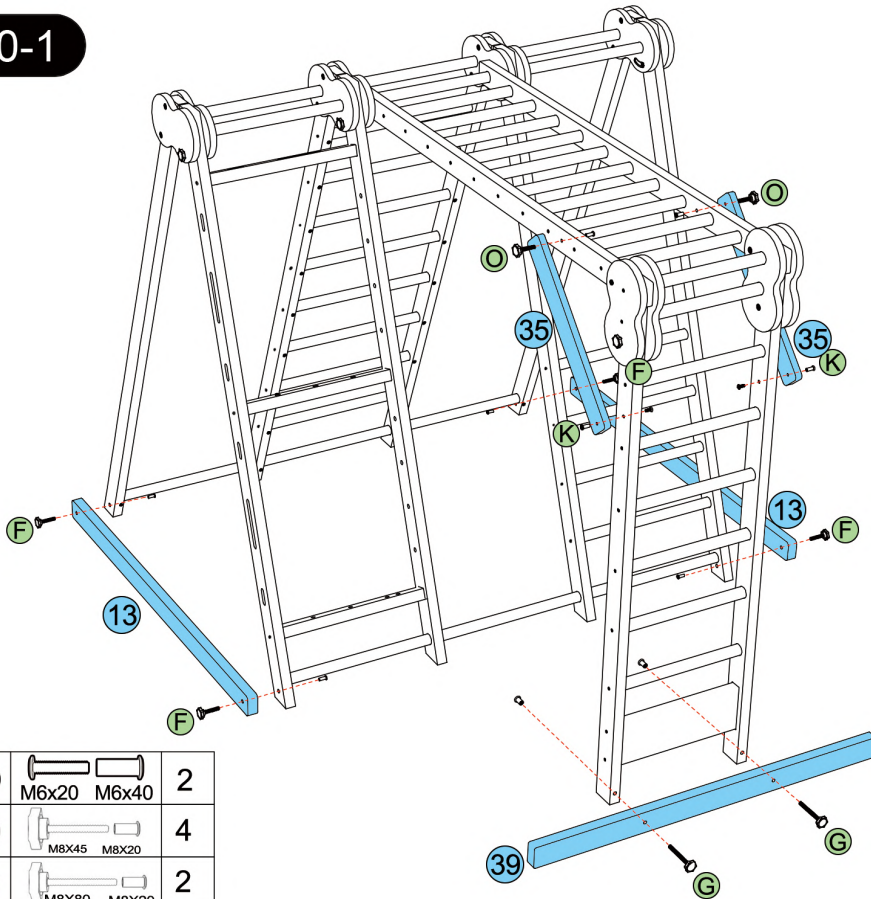
D	 M6x50 M6x20	4
E	 M6x50 M6x20	8
H	 4mm	2

09-1



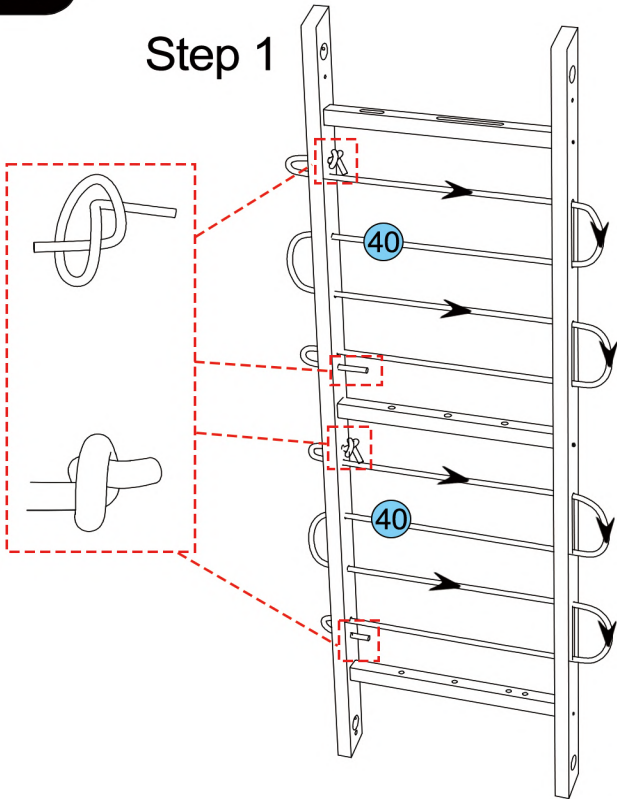
Q	M7x70	2	E	M6x50 M6x20	2
B	M6.3x40	2	H	4mm	2
D	M6x50 M6x20	2			

10-1



K	M6x20 M6x40	2
F	M8x45 M8x20	4
G	M8x80 M8x20	2
O	M6x35 M6x20	2

Step 1

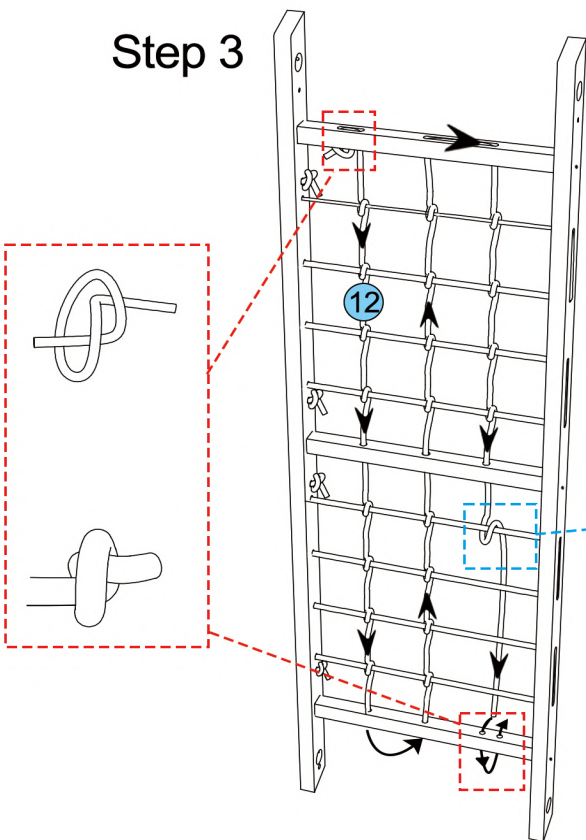


Step 2

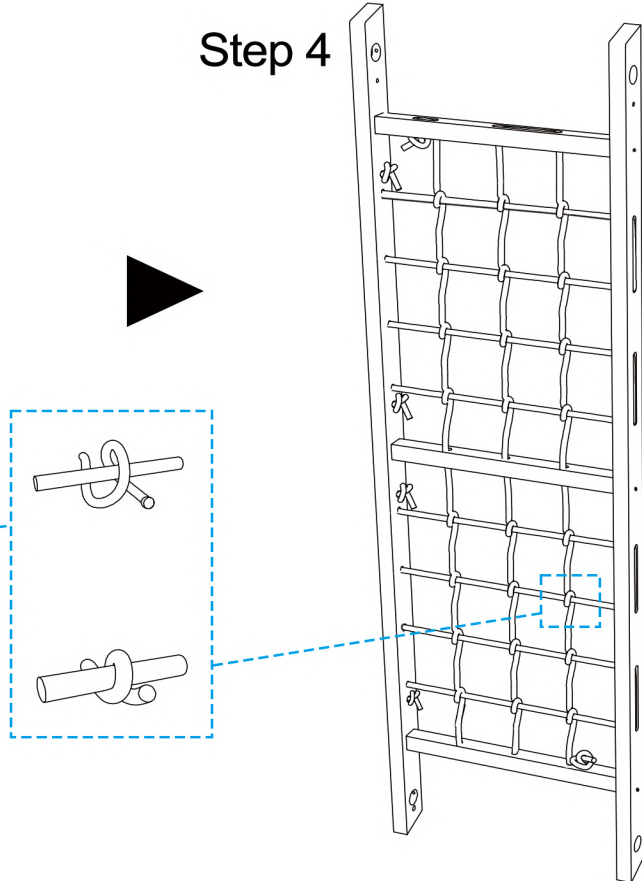


Note: The vertical rope will wrap once around each horizontal rope on each pass.
The vertical rope goes through the holes of the middle horizontal bar

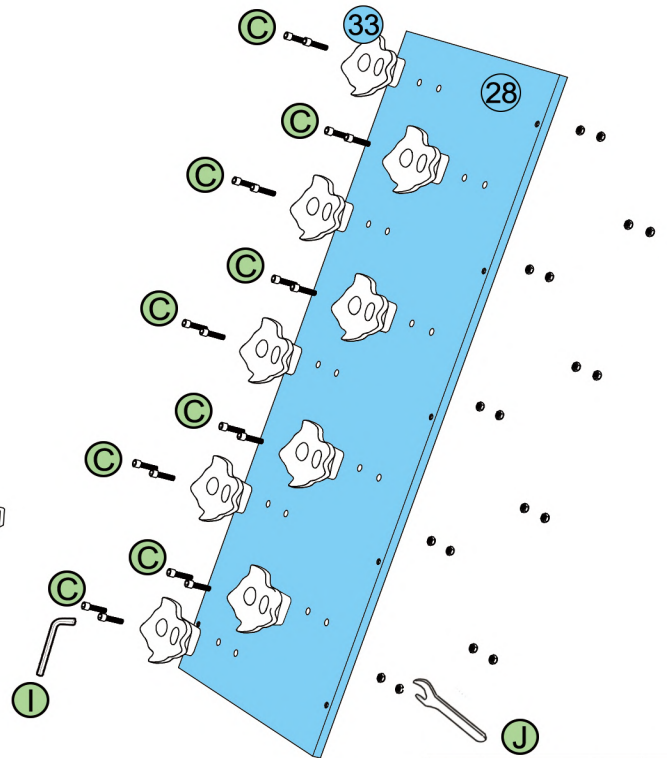
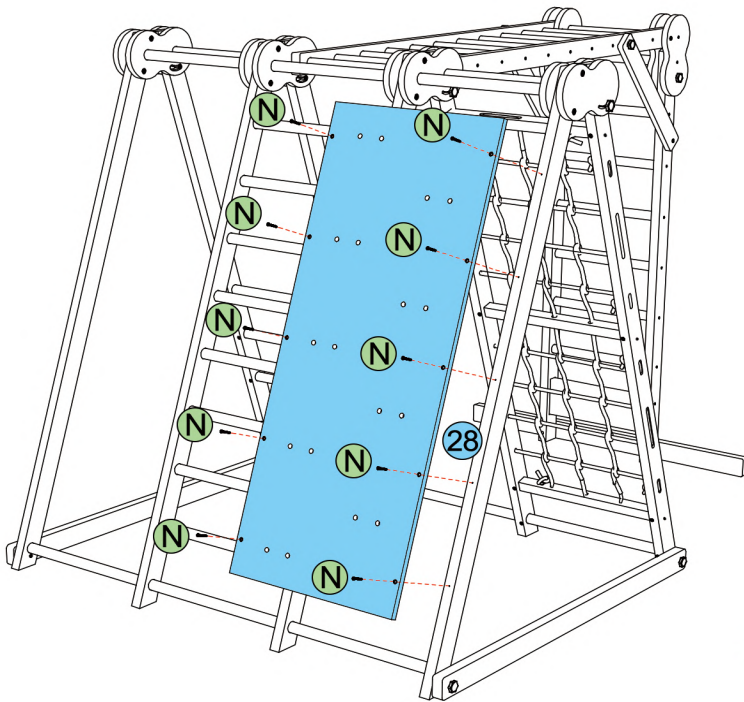
Step 3






Step 4



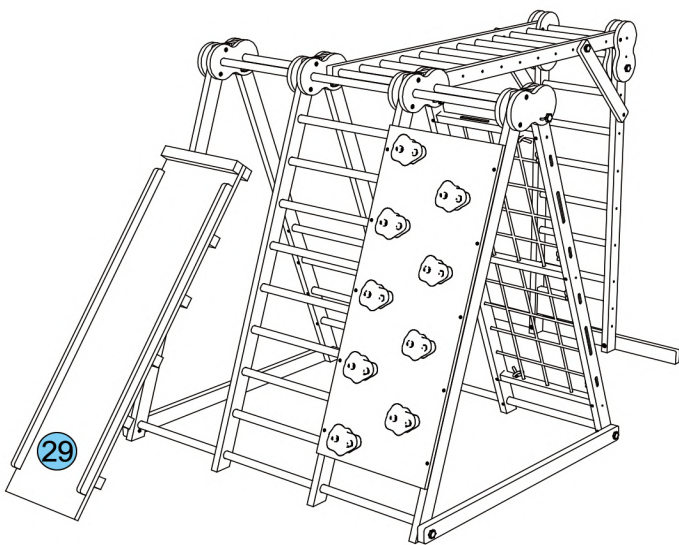
12-1



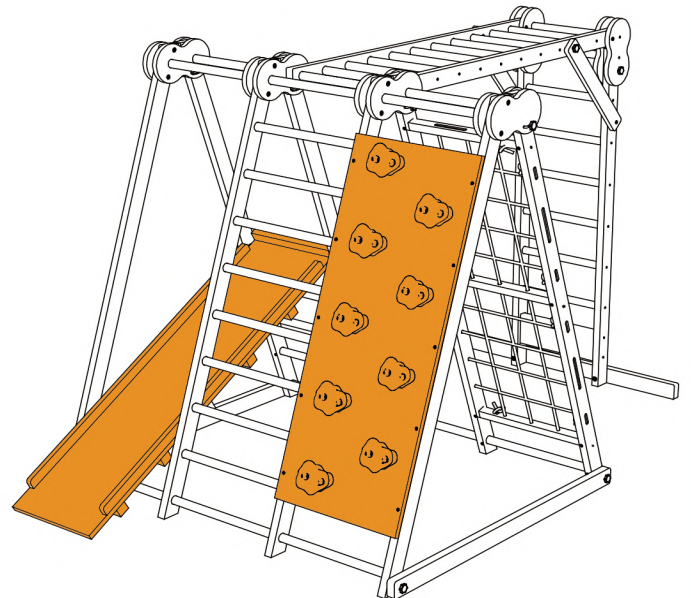
N	 M4x40	10
----------	--	----

C	 M10x35	18
I	 5mm	1
J	 17mm	1

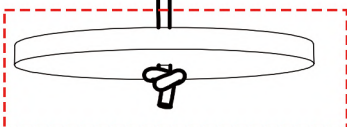
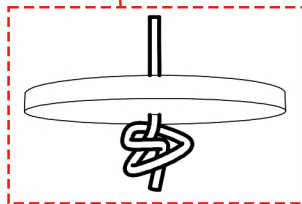
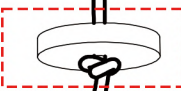
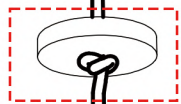
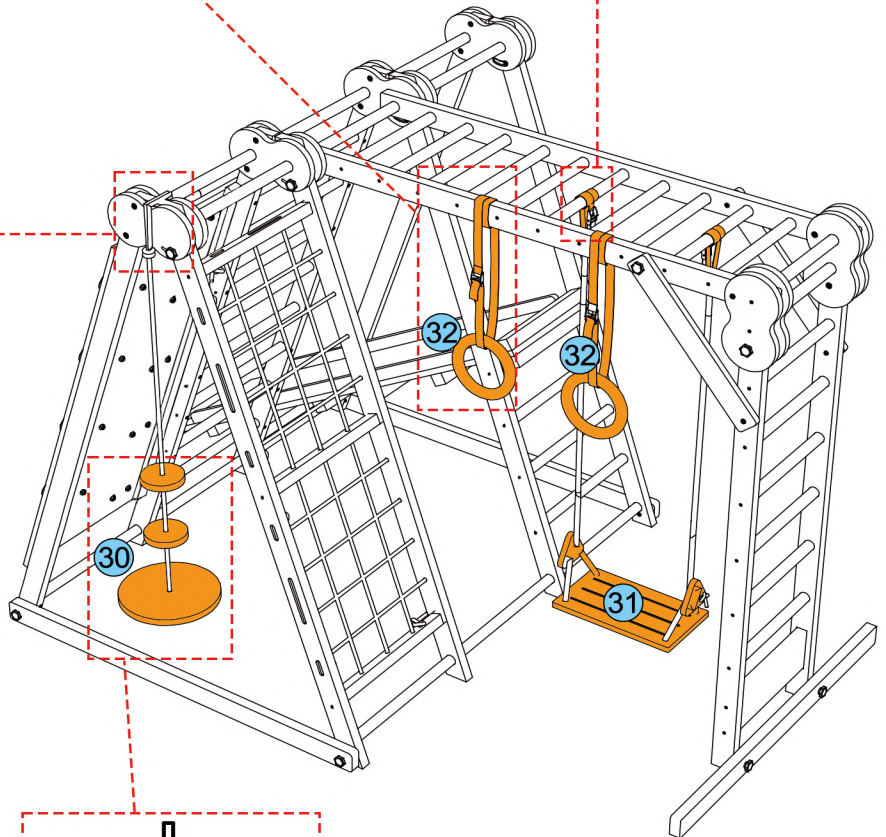
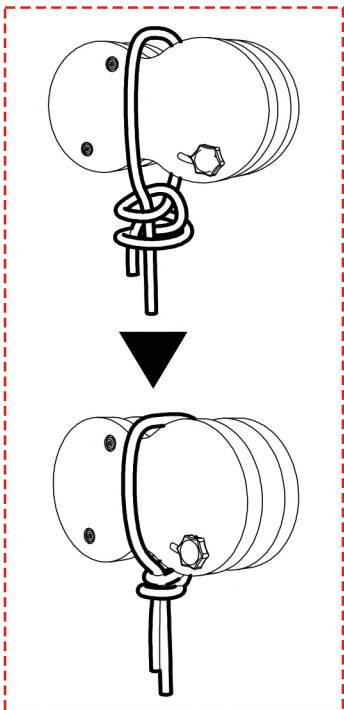
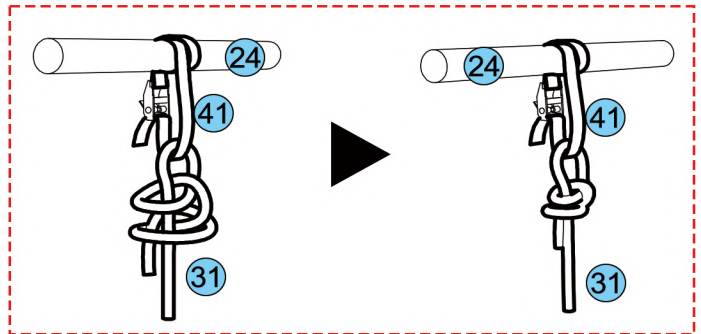
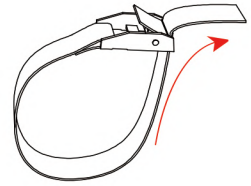
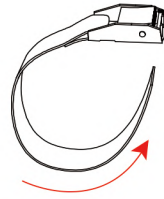
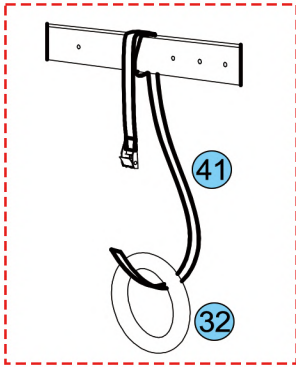
12-2



12-3

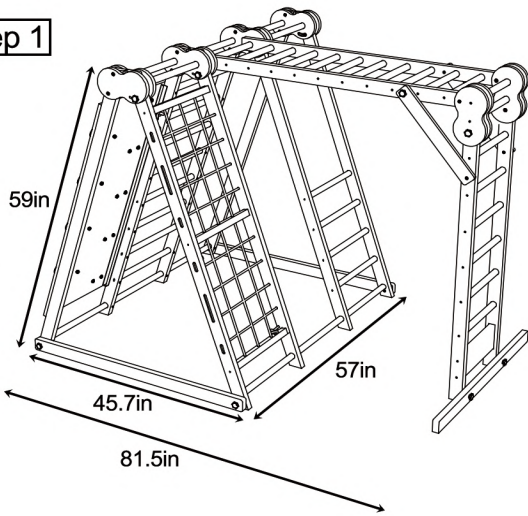


Note: Part 41 must pass from bottom to top as shown by the arrow, or the strap will be easy to pull out

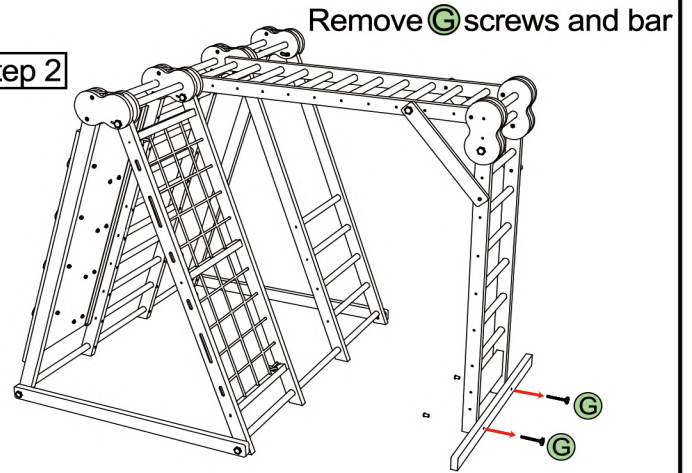


Folding steps

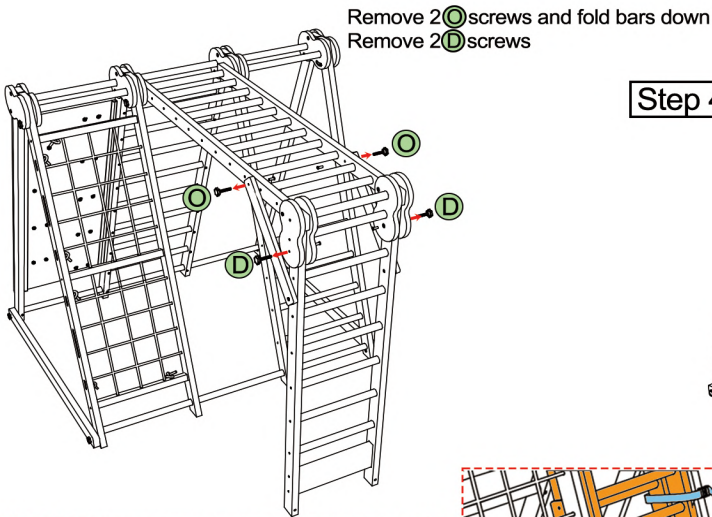
Step 1



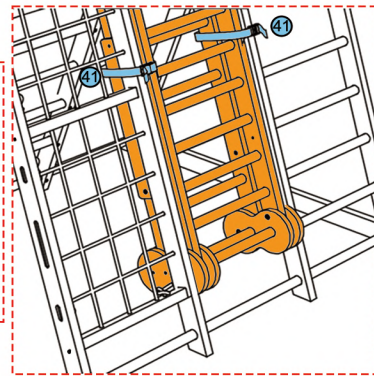
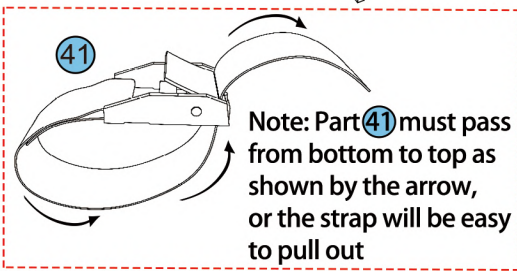
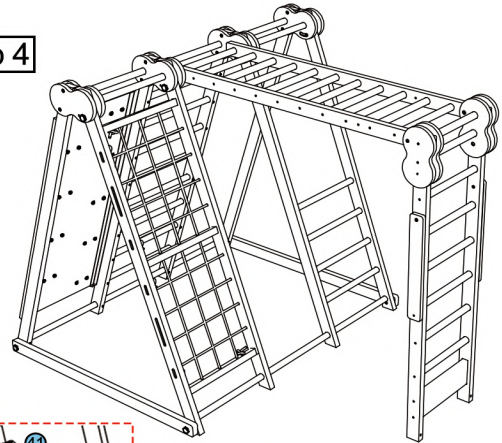
Step 2



Step 3

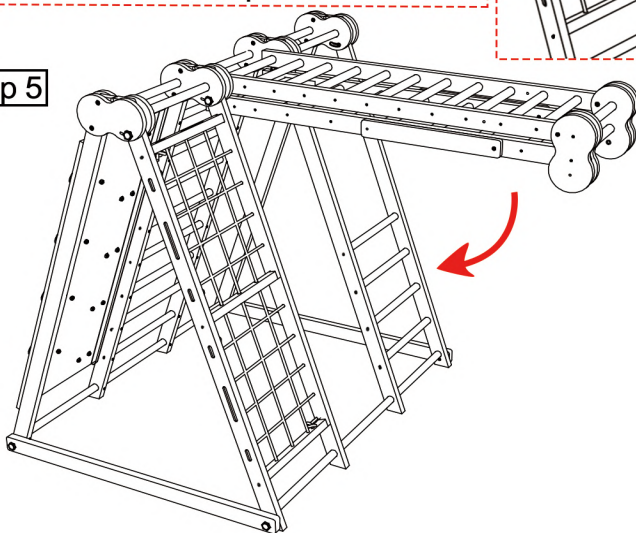


Step 4

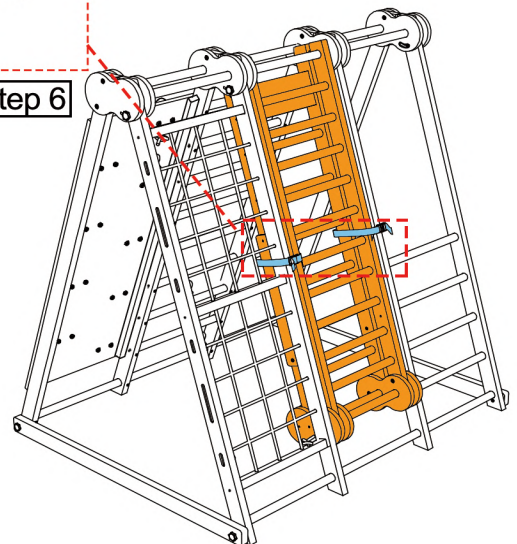


Note: Part 41 is tied above the sixth part 24 from bottom to top. On the left side, use part 41 to tie four parts (part 34, 10, 11 & 6) together; on the right side, use another part 41 to tie four parts (part 34, 9, 11 & 7) together as shown

Step 5



Step 6

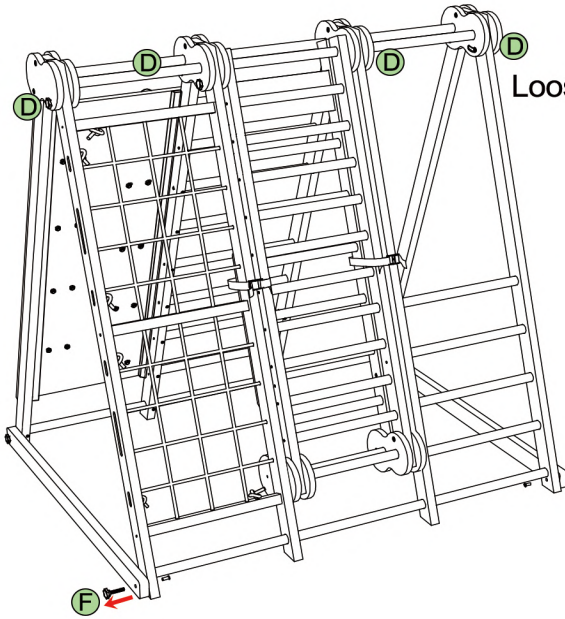


Folding steps

Note: Check all connections and bolts for tightness at least twice monthly during use.
Do not use if screws are loose.

Do not leave the set outdoors unless you treat the wood with sealant

Step 7

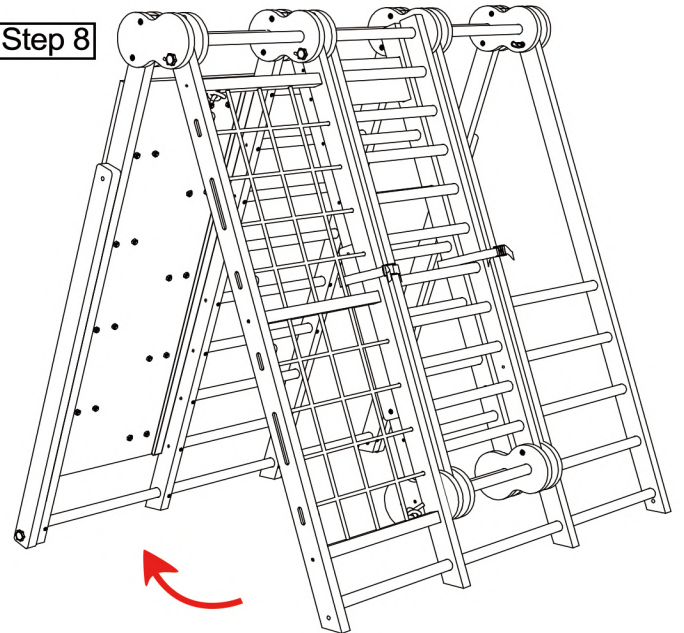


Loosen four screws **D** here this step.

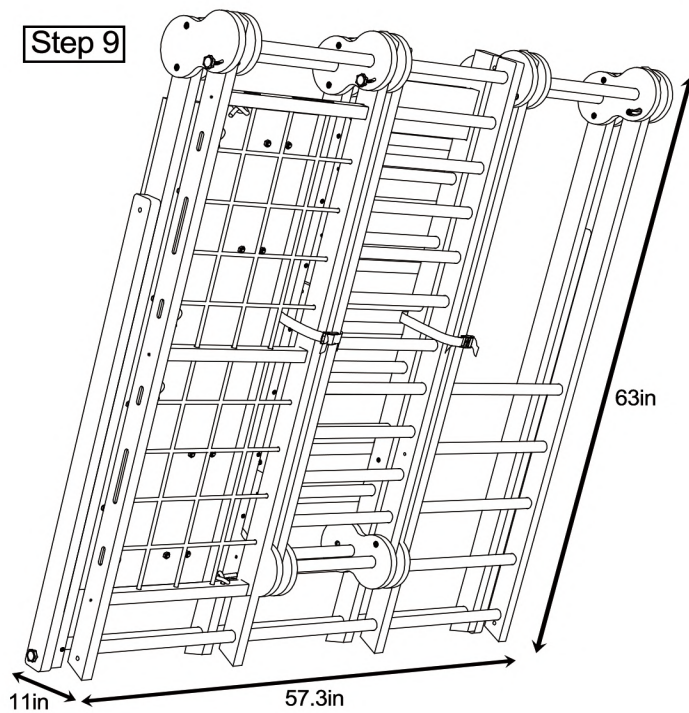
Remove two **F** screws and fold bars up

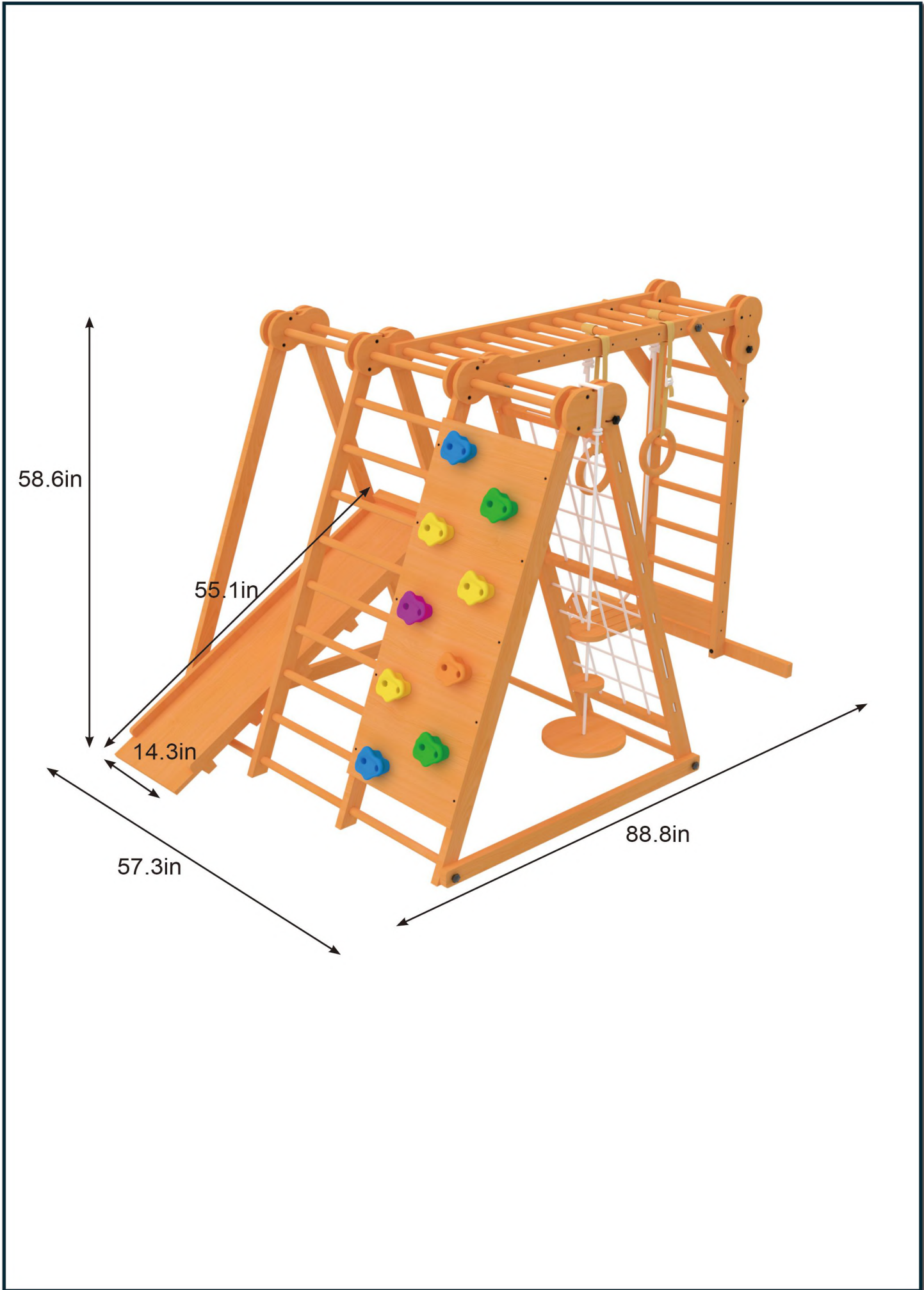


Step 8



Step 9





58.6in

55.1in

14.3in

57.3in

88.8in