

avenlur®

## Chestnut-Medium by Avenlur



Need Help?

CALL US AT 888.697.3931 / M-F 9AM - 5PM PT (12PM - 8PM ET)  
OR EMAIL US AT [INFO@AVENLUR.COM](mailto:INFO@AVENLUR.COM)

**For Video assembly,  
visit [www.avenlur.com/instructions](http://www.avenlur.com/instructions)  
or scan the QR code below**



**FOR ADDITIONAL ASSISTANCE  
PLEASE CALL US AT 888-697-3931  
M-F 9AM-5PM PT (12pm -8PM ET)**

**OR EMAIL US AT**

**[info@Avenlur.com](mailto:info@Avenlur.com)**

**⚠ WARNING**

Adult assembly required.

**⚠ WARNING**

Maximum user weight: 88lbs ( 40kg) per child.

**⚠ WARNING**

**⚠ CHOKING HAZARD:**

Adult assembly required. Keep small assembly parts out of reach of children.

**⚠ Use under adult supervision**

**OBSERVE ALL STATEMENTS AND WARNINGS TO REDUCE THE LIKELIHOOD OF SERIOUS OR FATAL INJURY. SAVE THIS SHEET FOR FUTURE REFERENCE.**

**OPERATION INSTRUCTIONS**

1. An adult should always supervise use of this product by children of all ages.
2. Limit: 2 children. Maximum weight per user: 88lbs ( 40kg).
3. Instruct children not to attach items to the playground equipment that are not specifically designed for use with the equipment (examples: ropes, clothesline, pet leashes, cables and chain, etc) as they may cause a strangulation hazard or any other hazard.
4. Never allow children to use the equipment in a manner other than intended.

**MAINTENANCE INSTRUCTIONS**

1. Inspect the product periodically for loose or damaged components. **Tighten bolts if need.**
2. Check all connections and bolts for tightness at least twice monthly during the usage.
3. Check all coverings and bolts for sharp edges.

**INSTALLATION INSTRUCTIONS**

Please have an electrical drill available for assembly if possible

If you have difficulty in installation, please contact us for help and get installation video for reference

**Please Ensure:**

1. You are assembling with at least two people to ensure that all sides and parts are leveled.
2. You don't screw the parts in too hard or it will splinter the wood.
3. You follow the directions carefully.

**CONTACT US BEFORE ASSEMBLY**

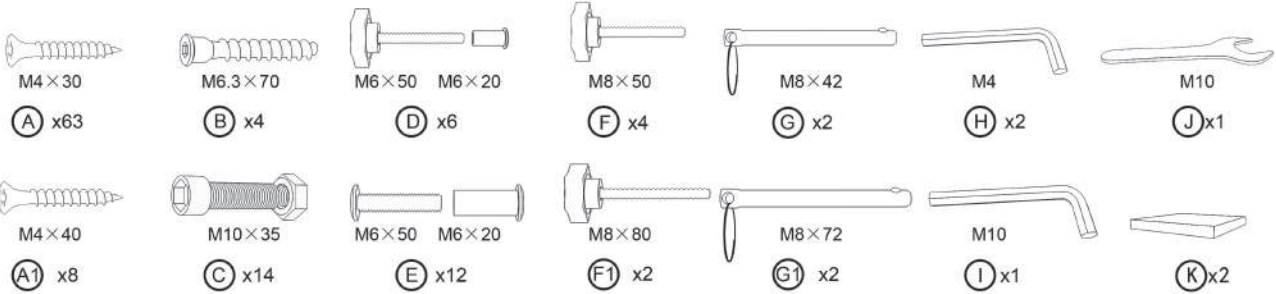
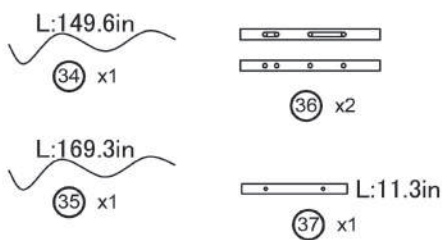
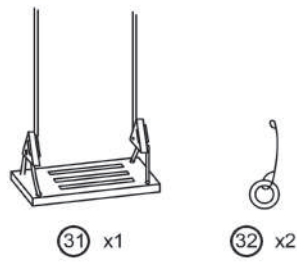
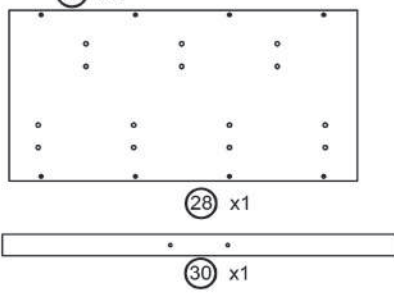
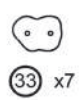
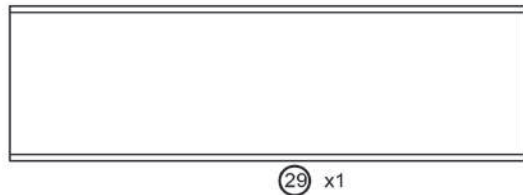
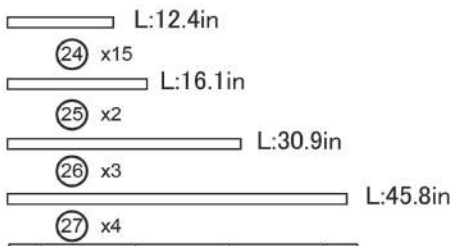
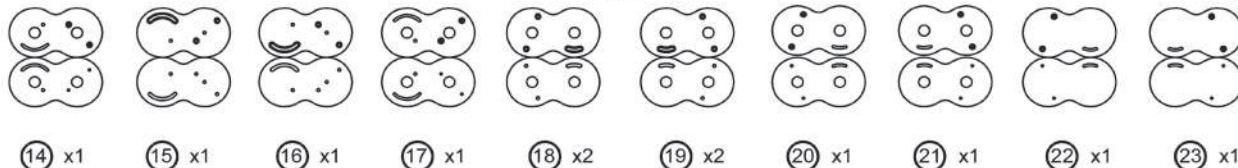
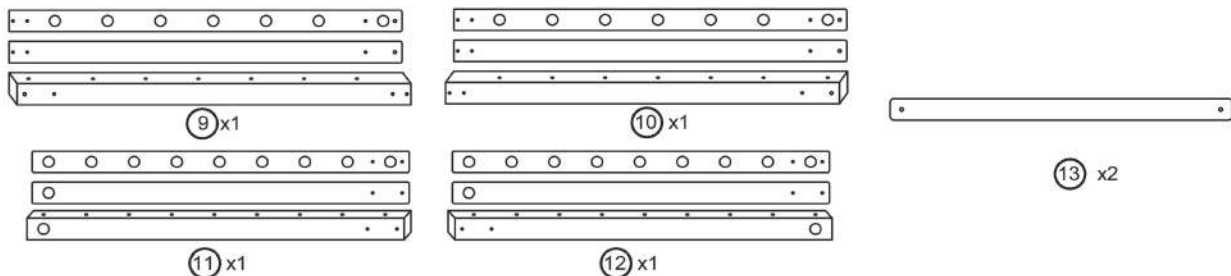
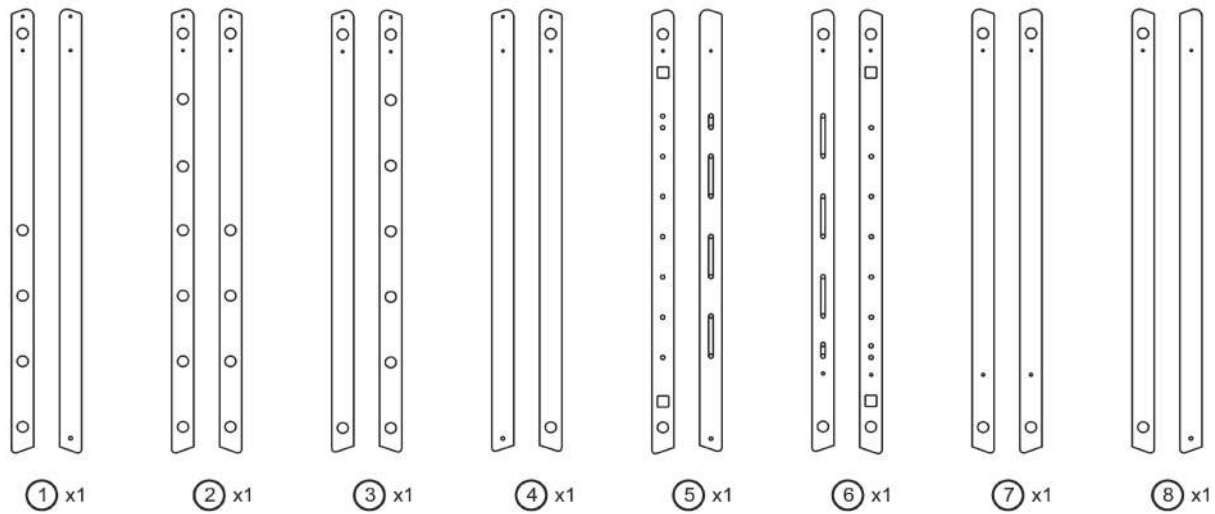
If you have assembly questions or if you need parts  
whether they are missing or damaged

Call us at 888-697-3931 or email us at

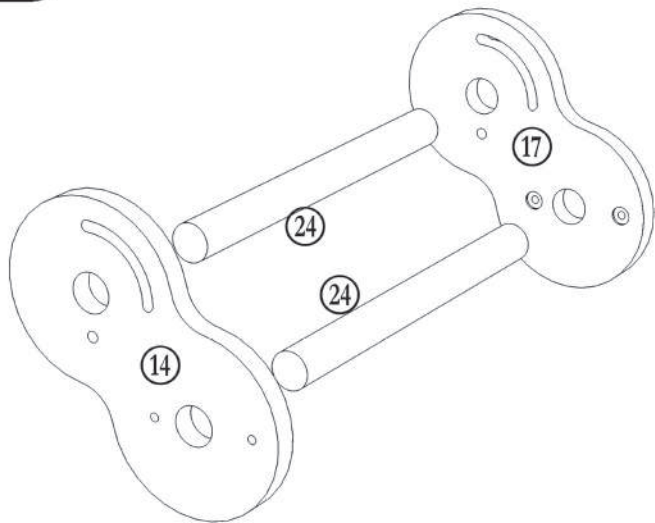
[info@Avenlur.com](mailto:info@Avenlur.com)





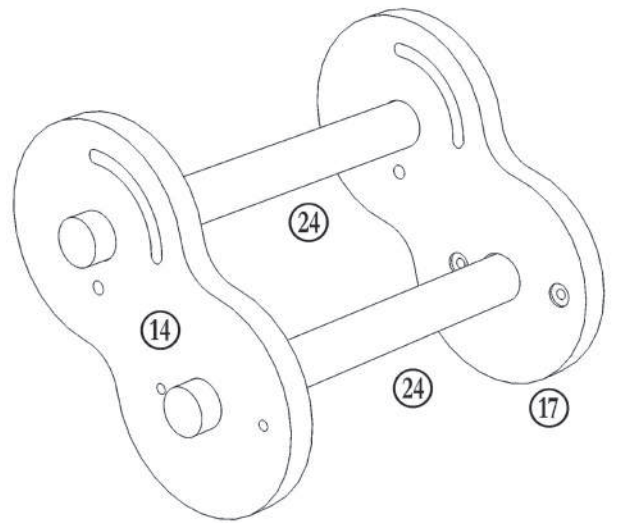


01-1



NOTE: Make sure parts 17 and 14 are facing the correct direction, as shown in illustration

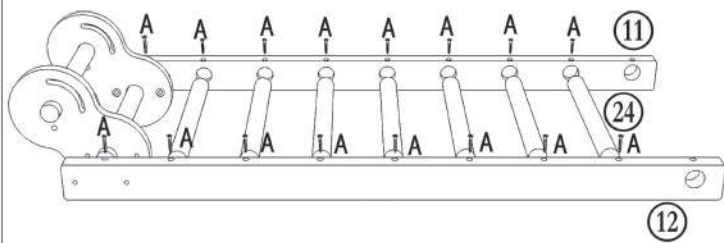
01-2



NOTE: No screws needed on this step

02-1

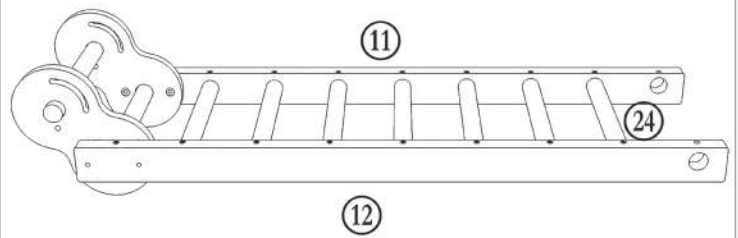
Tip: Align all the parts as shown in the illustration before drilling.



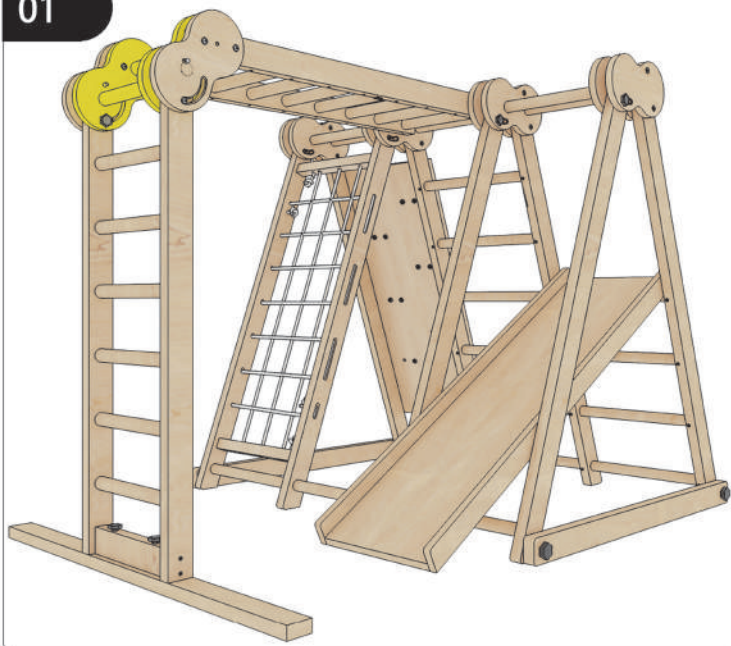
NOTE:  
1. Parts 11,12(x1): All drill holes should be facing upwards; The slope of ends should be at the same angle  
2. Part 24(x7): Sit between part 11 & part 12



02-2



01



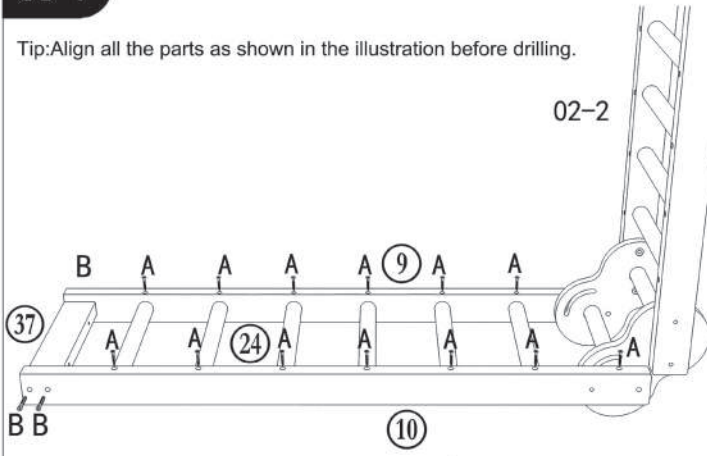
02



### 03-1


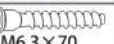
Tip: Align all the parts as shown in the illustration before drilling.

02-2



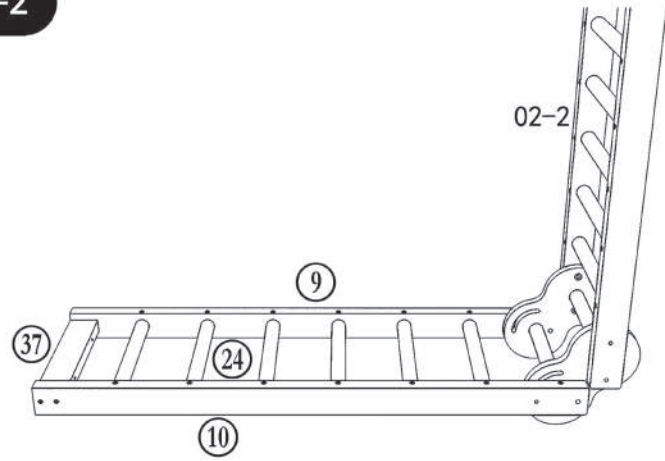
NOTE:

- Parts 9,10(x1): All drill holes should be facing upwards; The slope of ends should be at the same angle
- Part 24(x6): Sit between part 9 & part 10

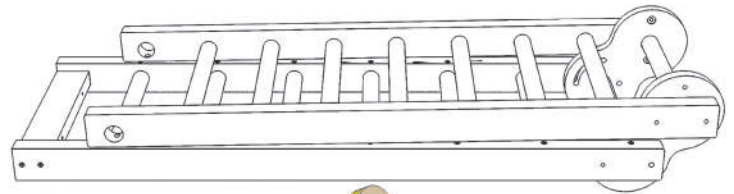
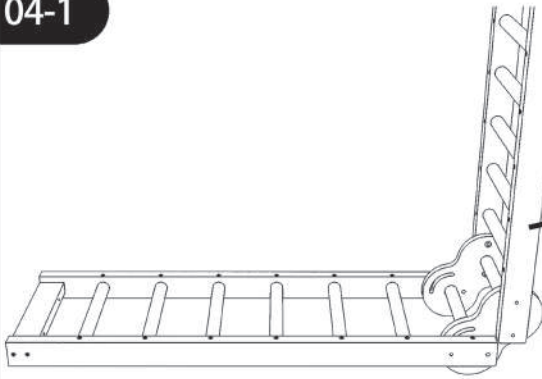
|   |   |    |
|---|---|----|
| A |  M4×30   | 14 |
| B |  M6.3×70 | 4  |

### 03-2

02-2



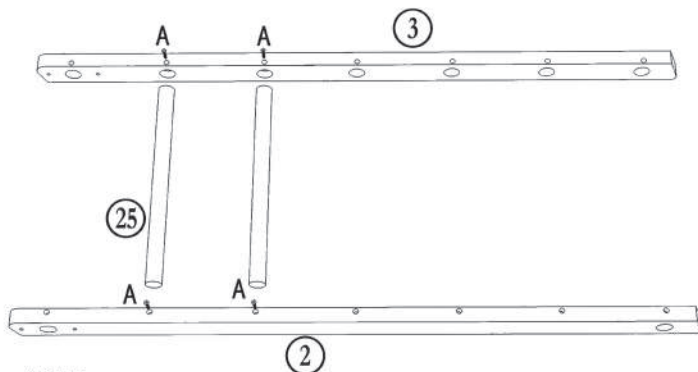
### 04-1



NOTE: Fold as shown for subsequent assembly

### 05-1

Tip: Align all the parts as shown in the illustration before drilling.

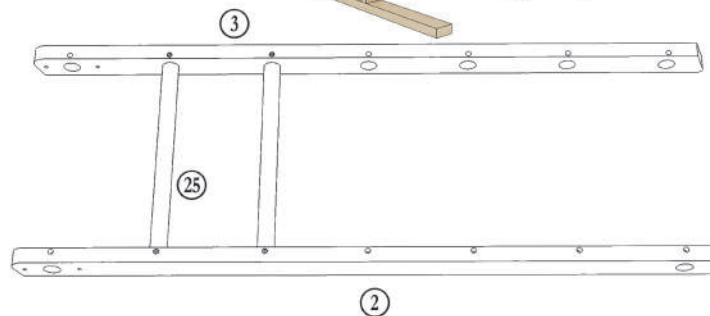
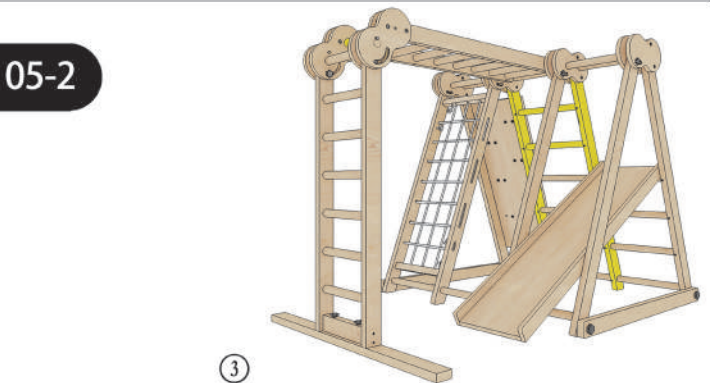


NOTE:

- Parts 2,3(x1): All drill holes should be facing upwards; The slope of ends should be at the same angle
- Part 25(x2): Sit between part 2 & part 3

|   |   |   |
|---|---|---|
| A |  M4×30 | 4 |
|---|---|---|

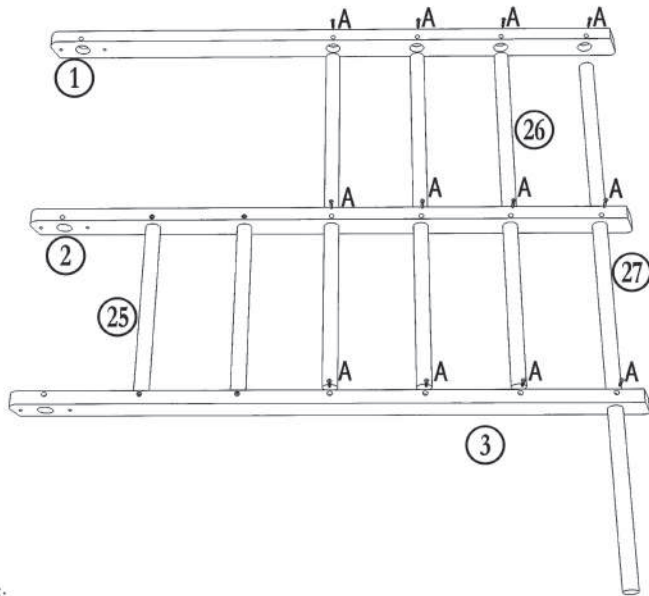
### 05-2





## 06-1

Tip: Align all the parts as shown in the illustration before drilling.

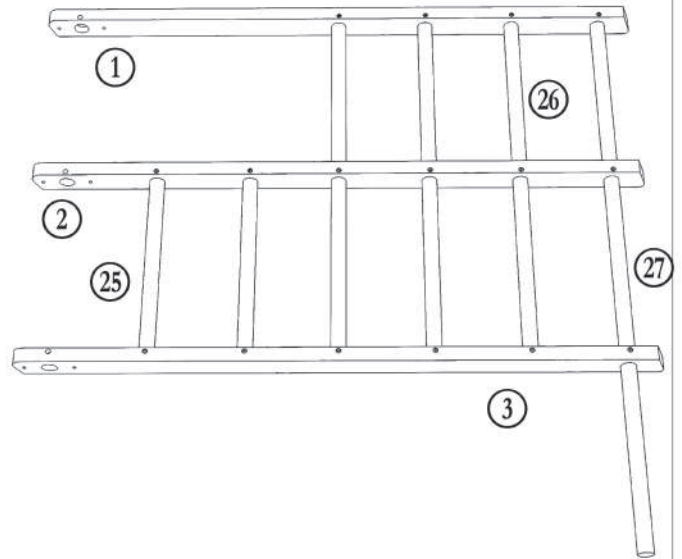


### NOTE:

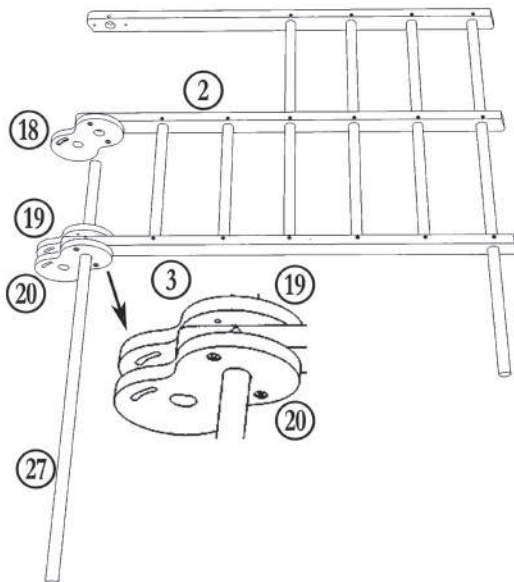
1. Parts 1, 2, 3(x1): All drill holes should be facing upwards; The slope of ends should be at the same angle
2. Part 26(x3): Go through part 2
3. Part 25(x2): Sit between part 2 & part 3
4. Part 27(x1): Go through the ends of part 2 & part 3, ending of part 1



## 06-2

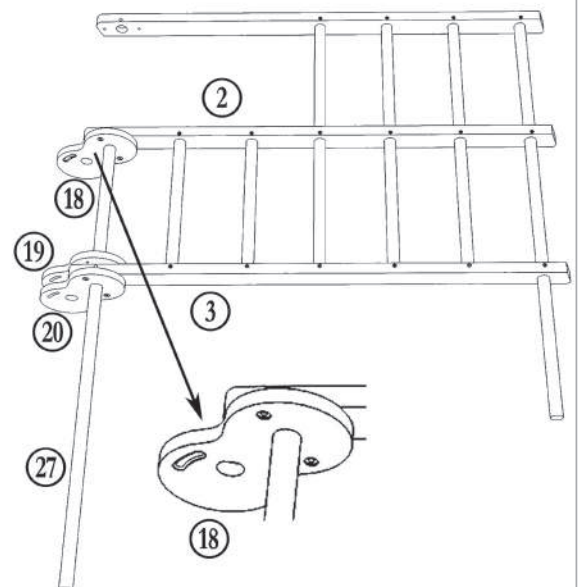


## 07-1



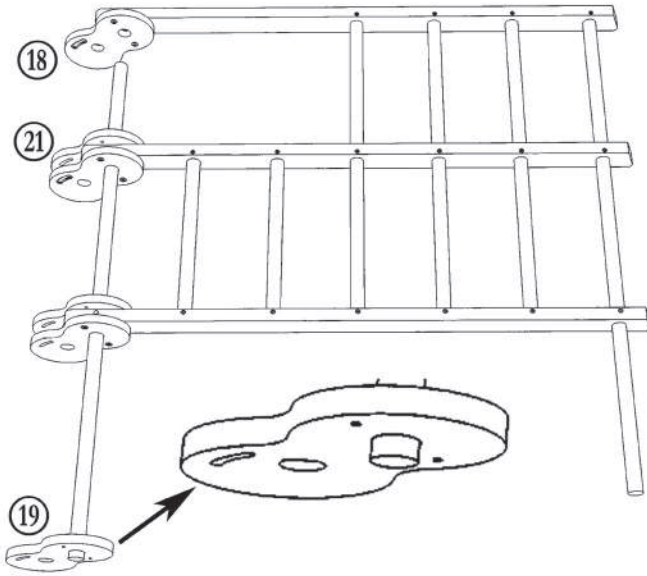
NOTE: Part 27 goes through parts 20, 3, 19, 18, and 2, in that order. Make sure parts 20, 19 and 18 are facing the correct way as shown

## 07-2



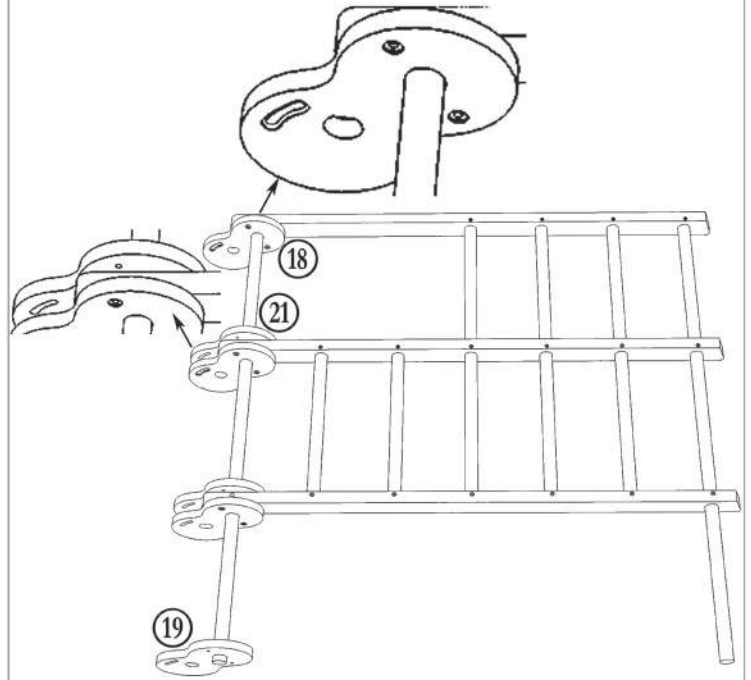


08-1

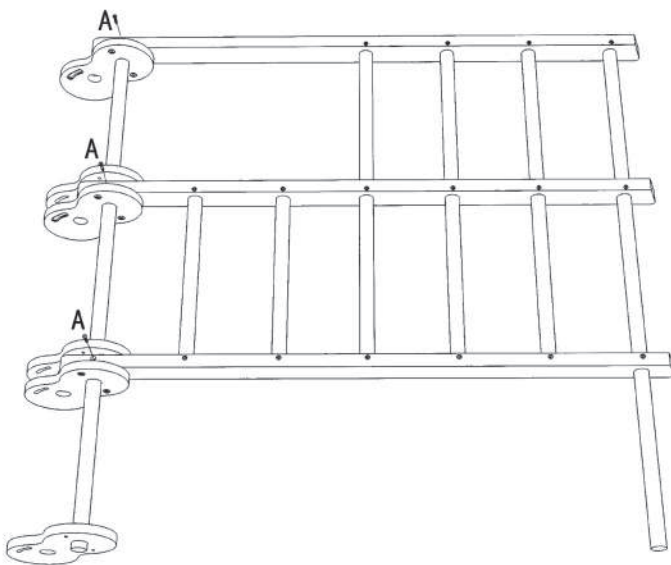


NOTE: Add parts 21 and 18 to part 27 as shown, then add part 19

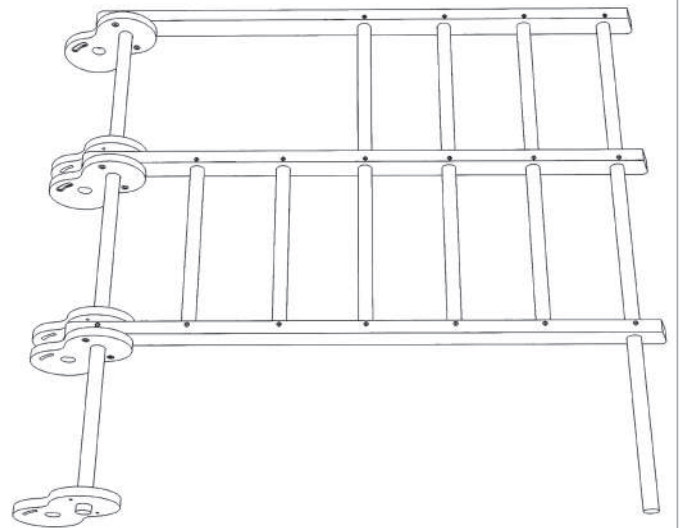
08-2



09-1

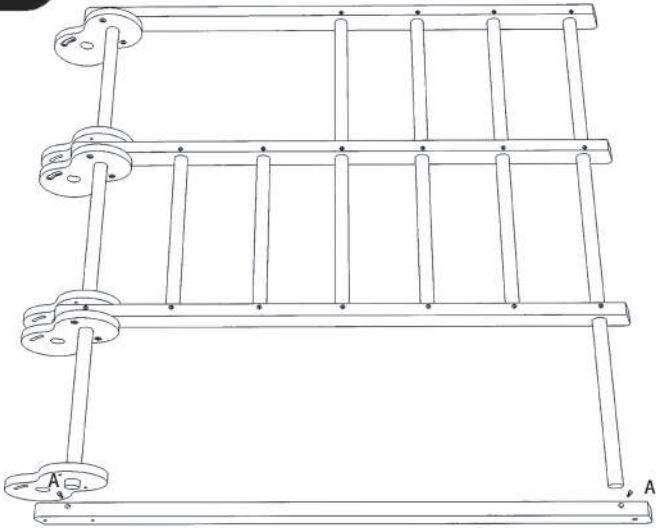


09-2



10-1

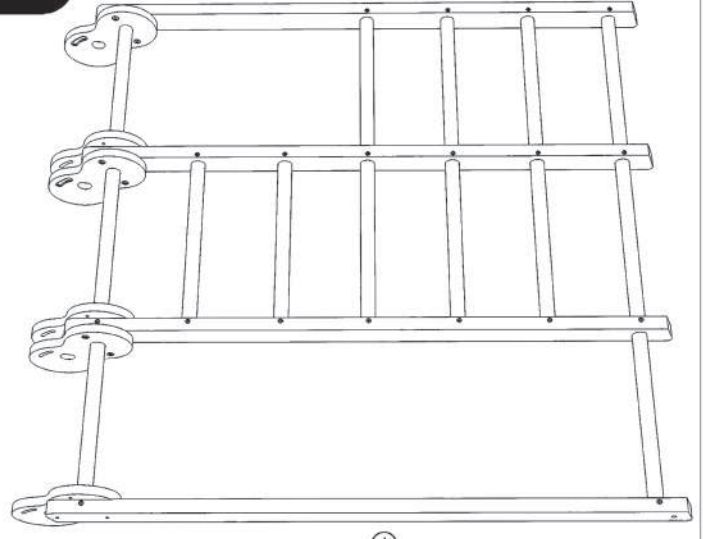
Tip: Sections 06 through 10



|   |   |   |
|---|---|---|
| A |  | 2 |
|---|---|---|

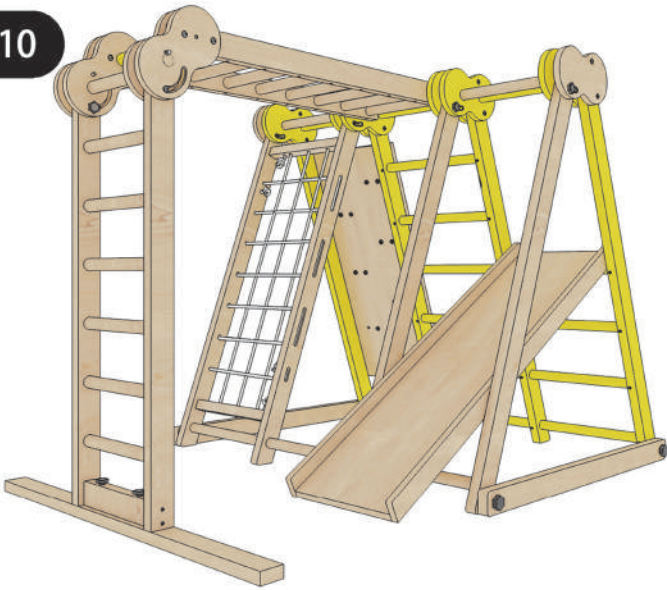
4

10-2

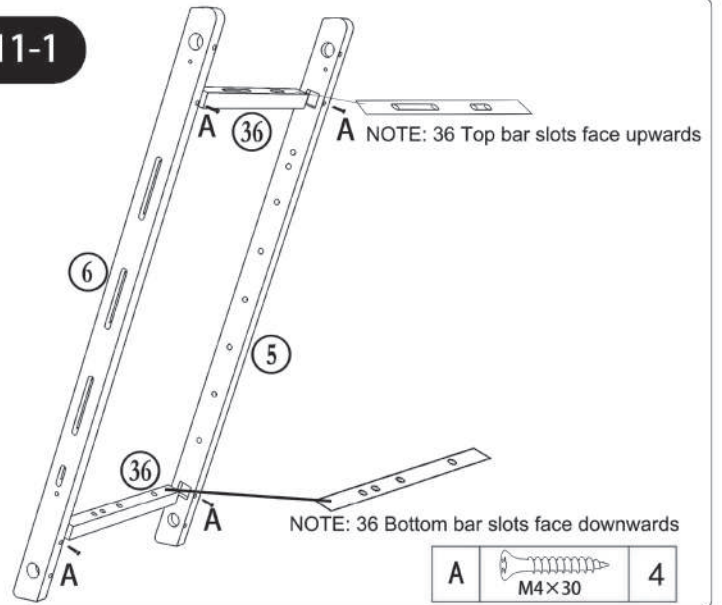


4

6-10

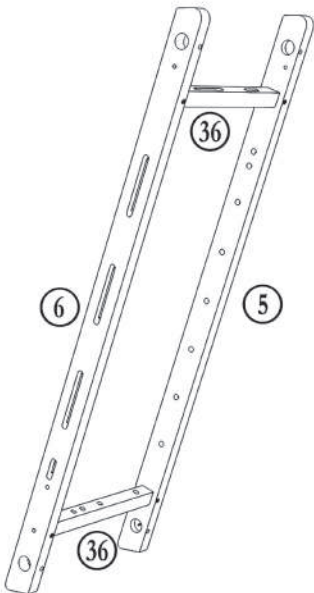


11-1

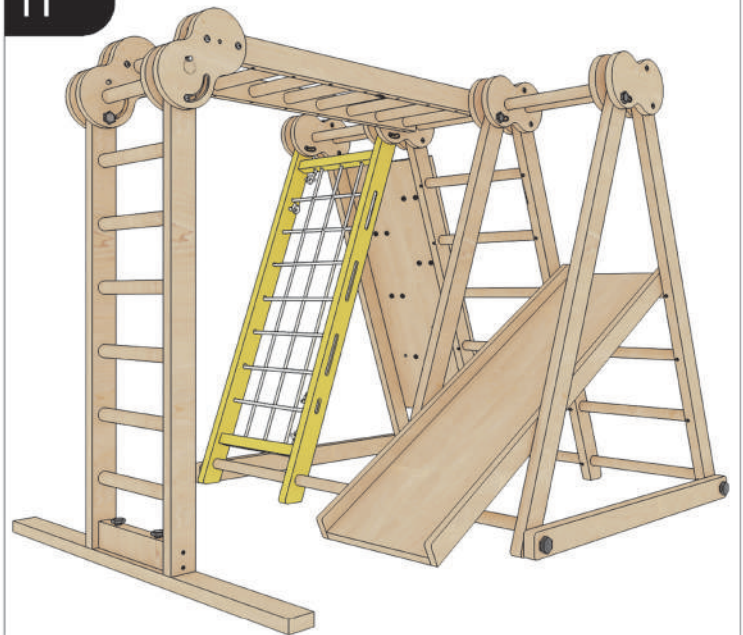


|   |   |   |
|---|---|---|
| A |  | 4 |
|---|---|---|

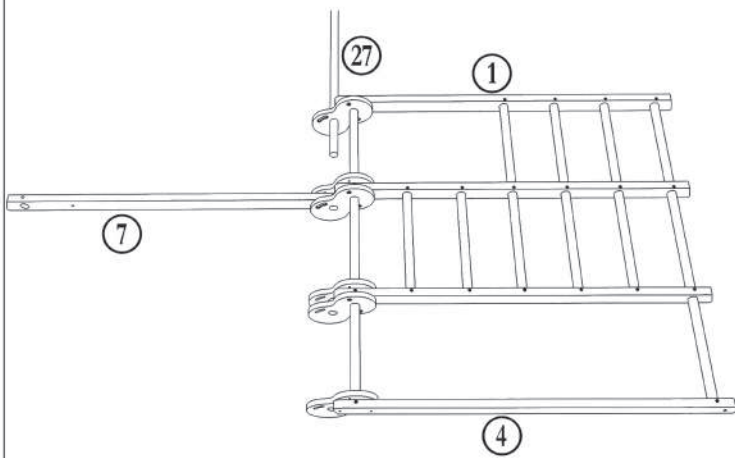
11-2



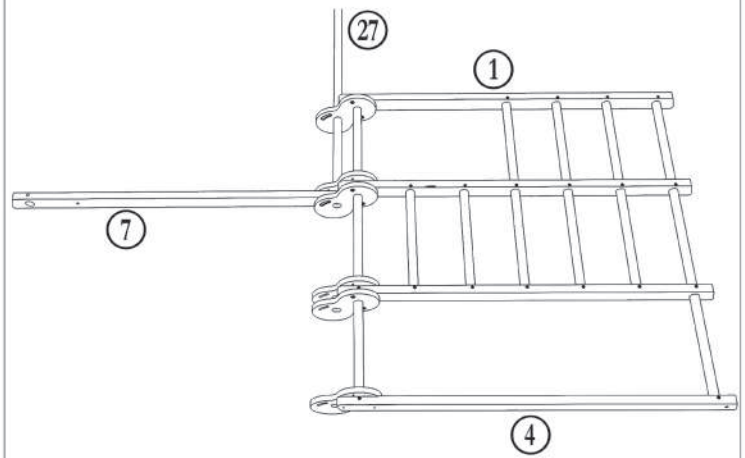
11



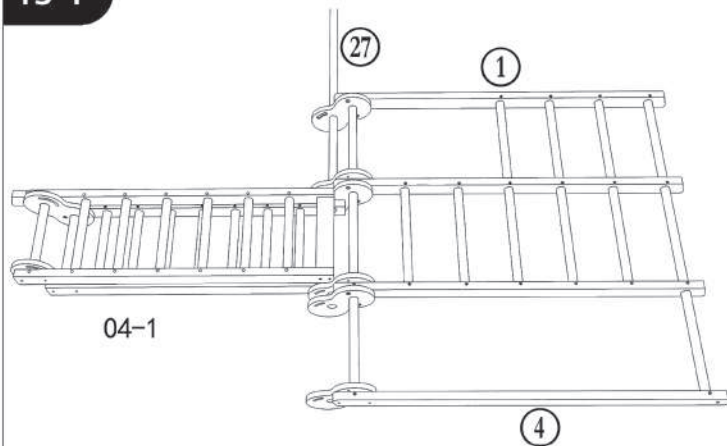
12-1



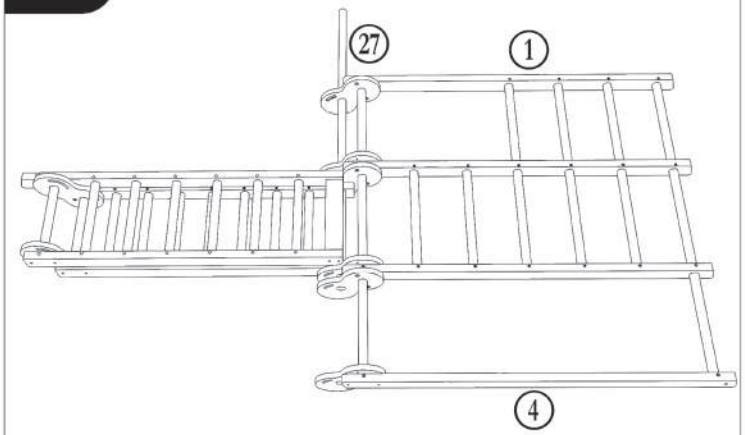
12-2



13-1

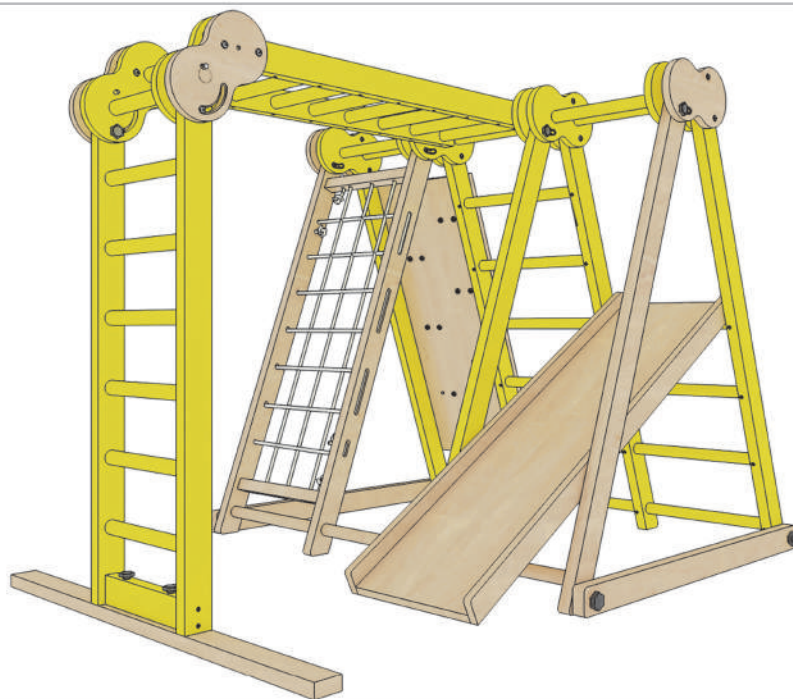


13-2

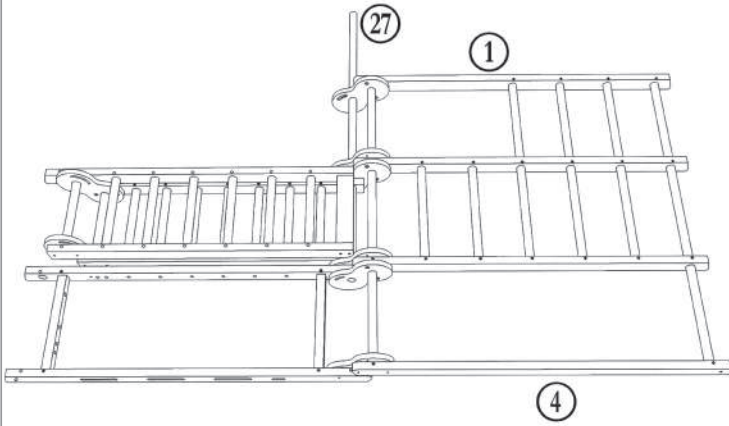


Note: Add the bottom ends of the folded ladder, ends with the holes on the floor, to slide part 27 through

12-13

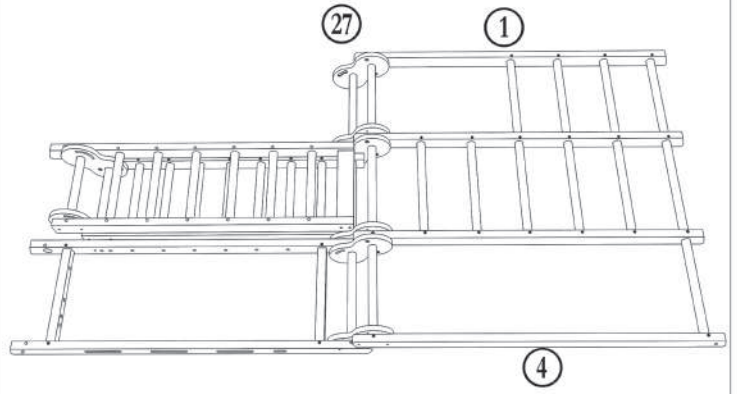


14-1

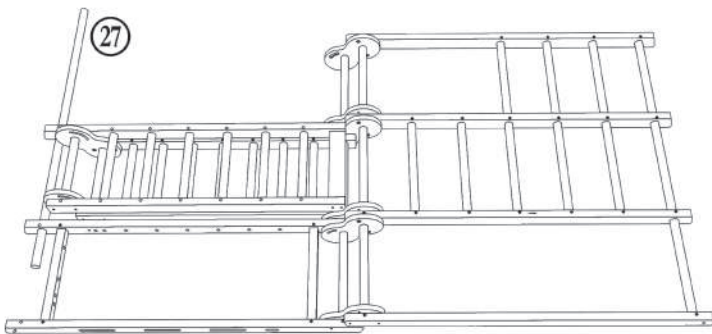


NOTE: Add the rope wall section, making sure the screws are facing upwards, and attach the rest of part 27

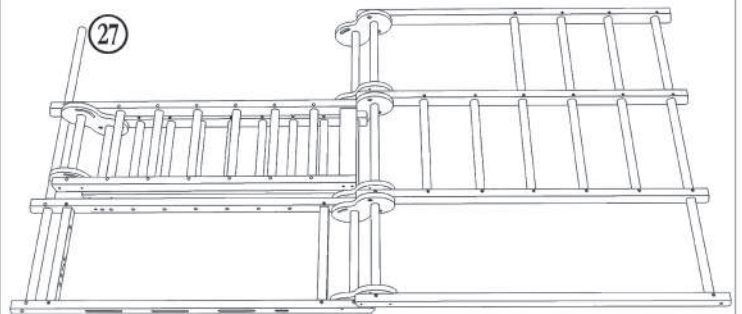
14-2



15-1

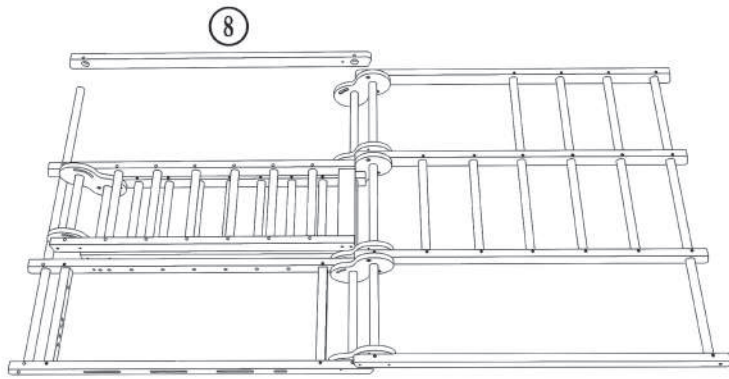


15-2

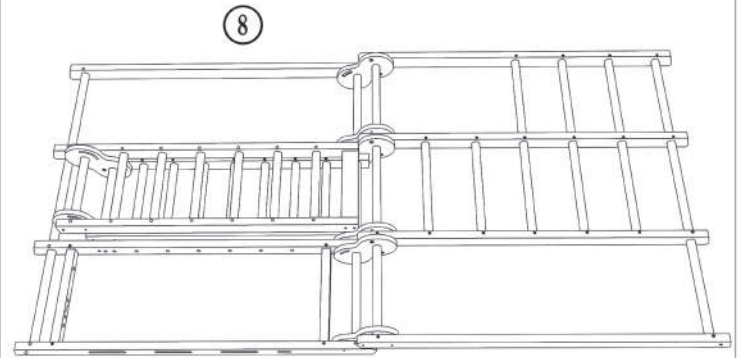




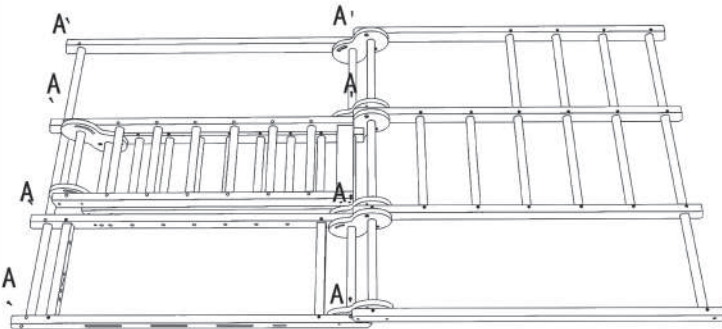
16-1



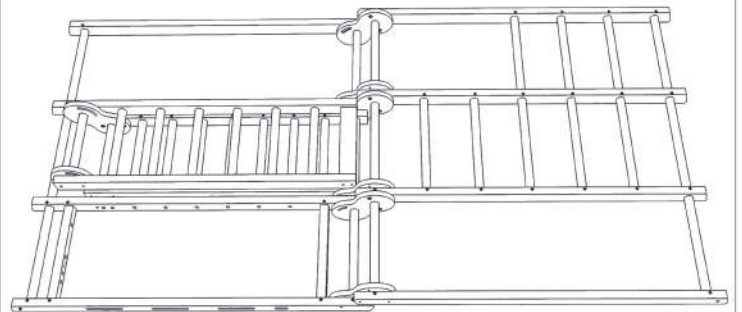
16-2



17-1



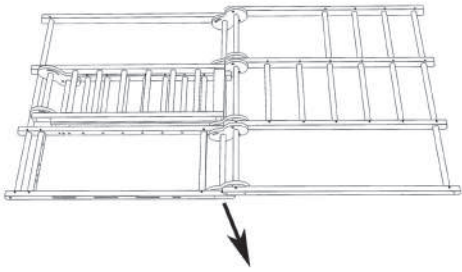
17-2



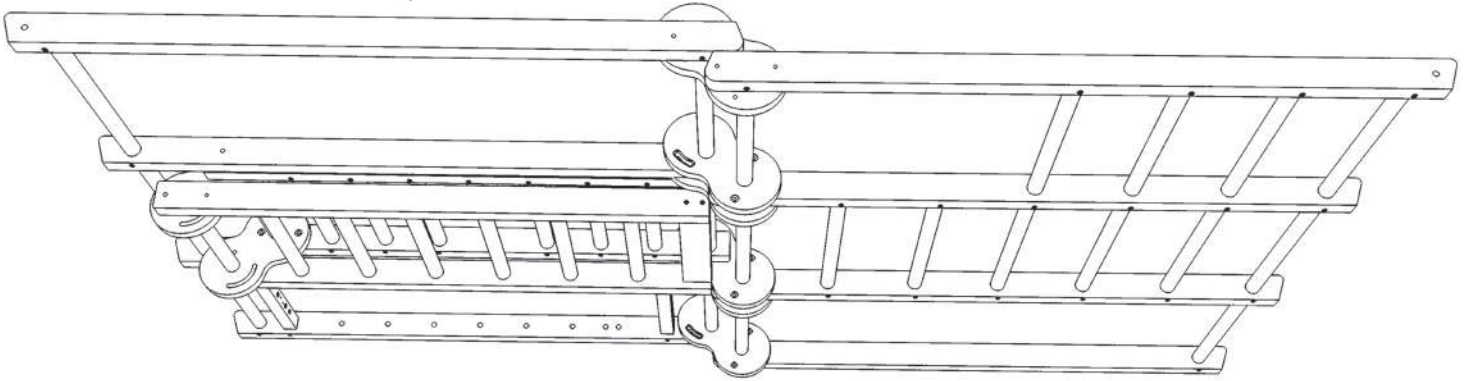
14-17



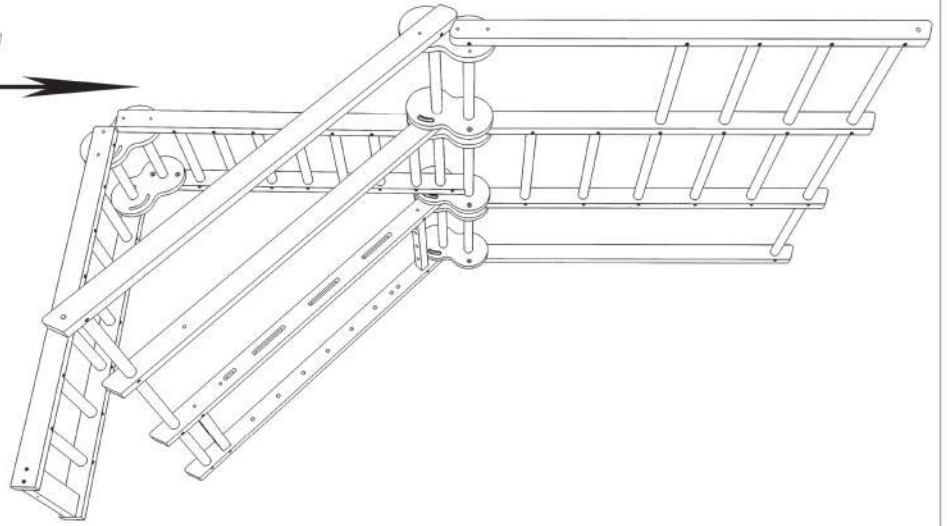
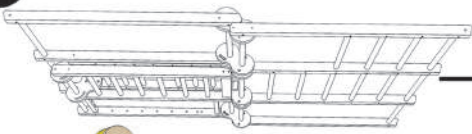
18-1



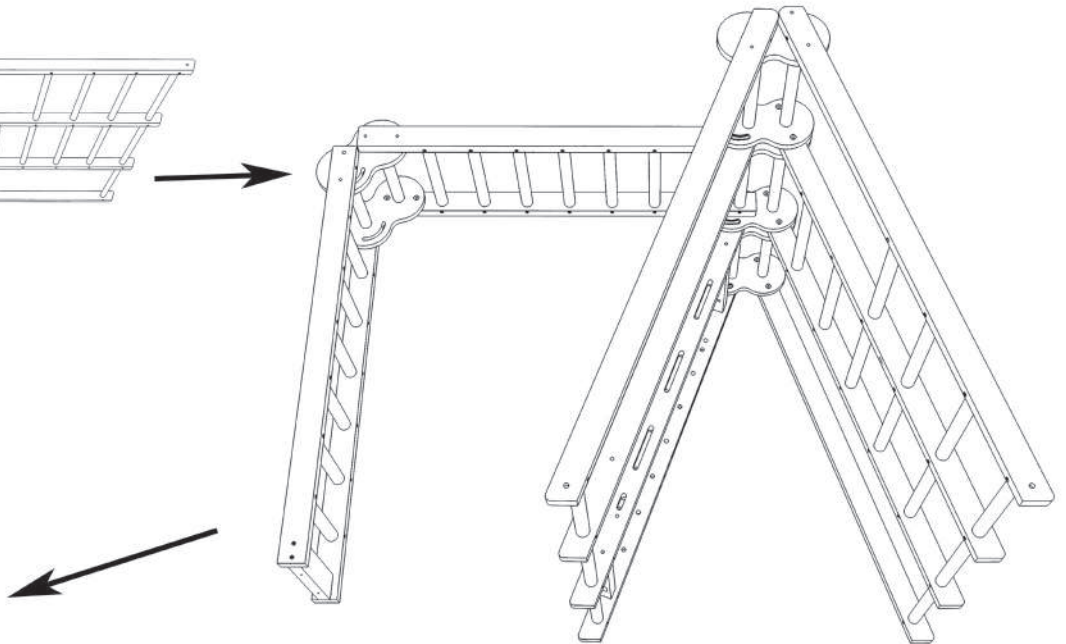
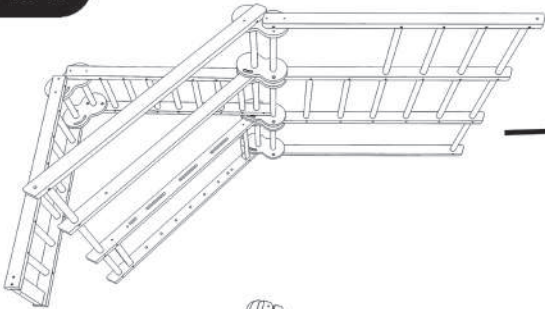
NOTE: Rotate 90 degrees clockwise, perpendicular to the ground



18-2

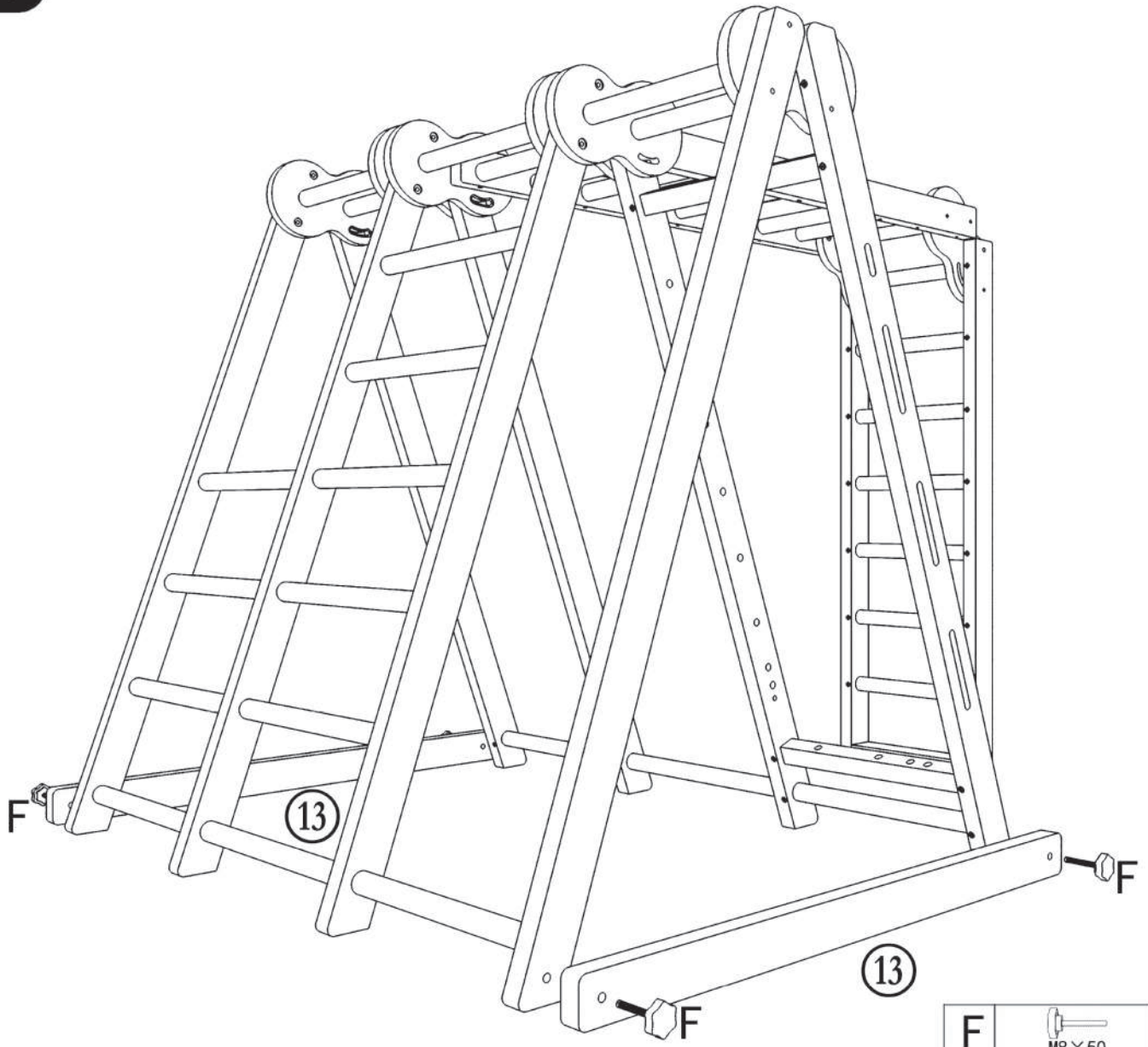



18-3



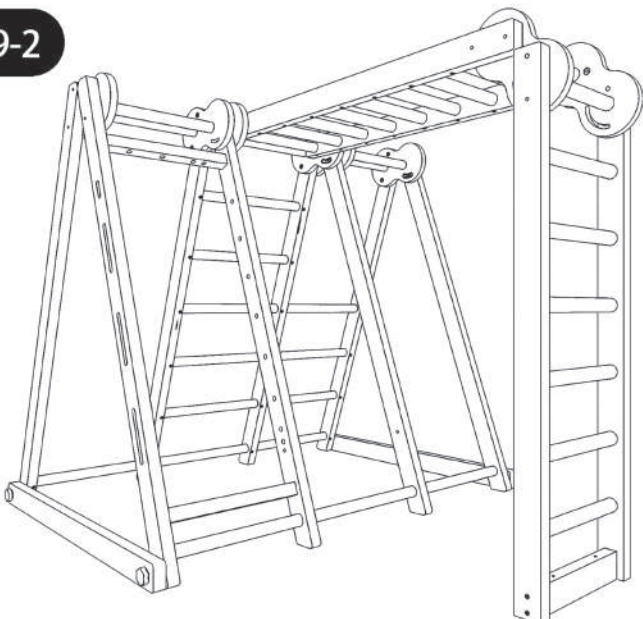


19-1



|   |   |   |
|---|---|---|
| F |  | 4 |
|---|---|---|

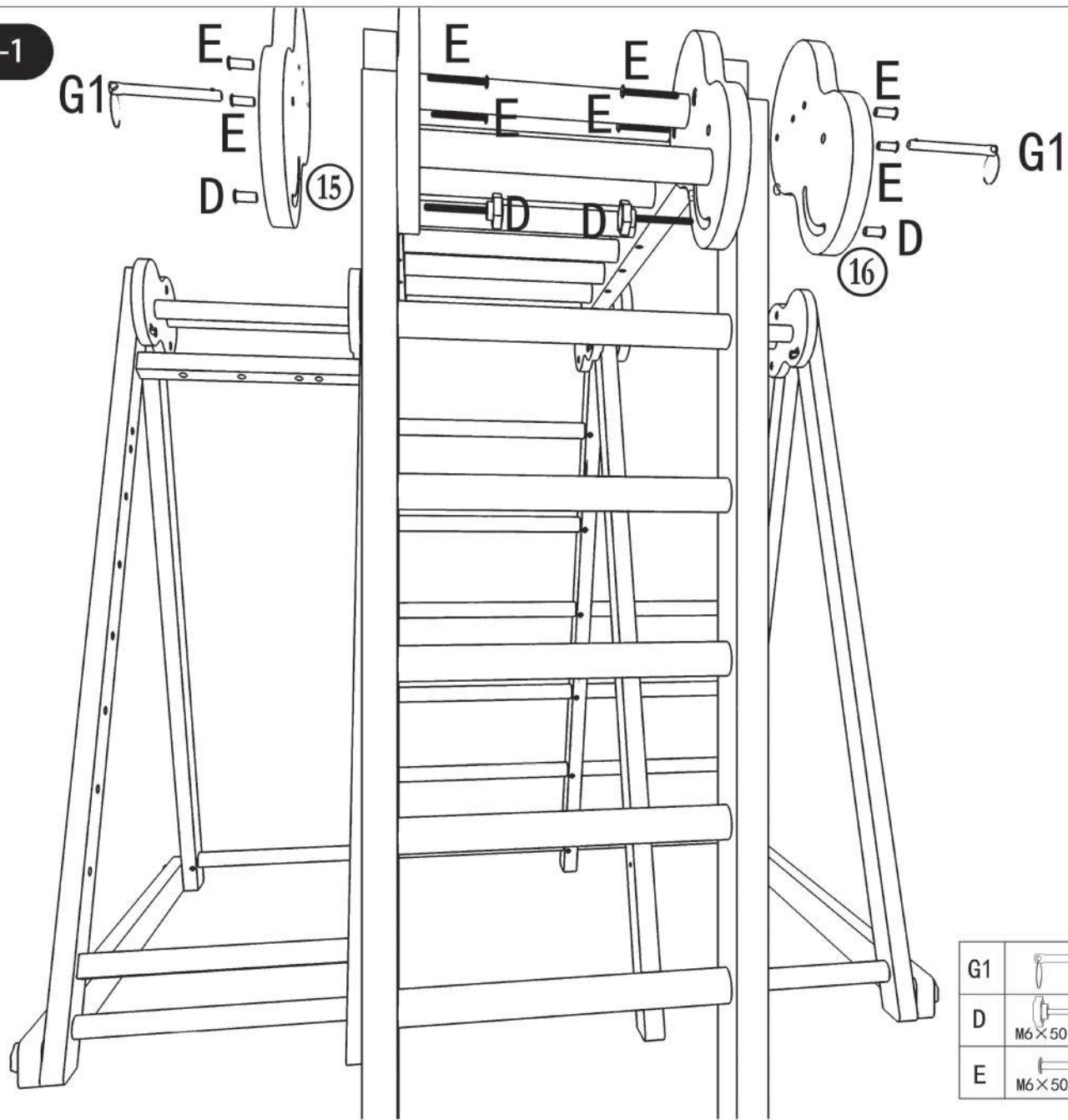
19-2



19



20-1



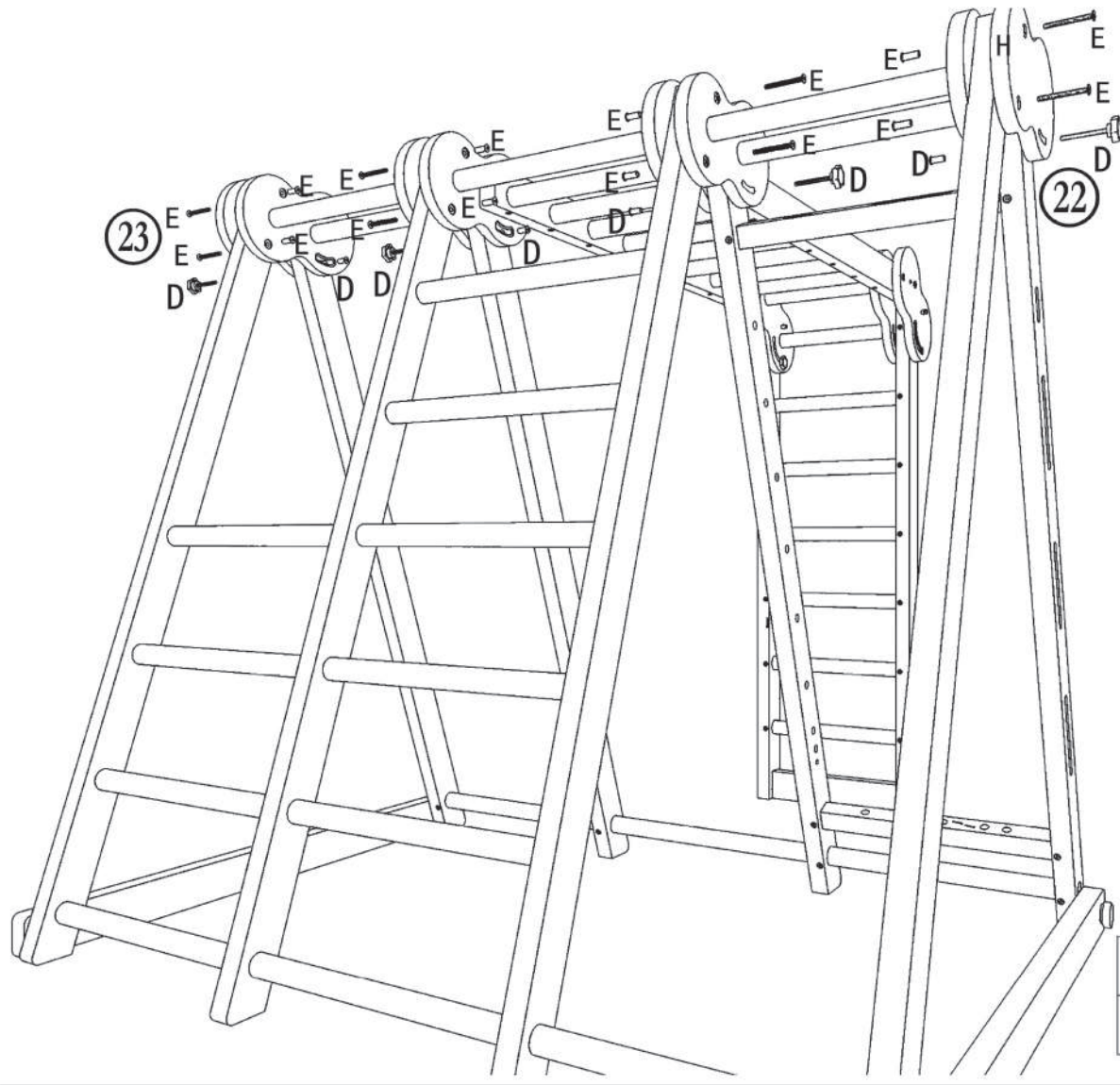
20-2





20



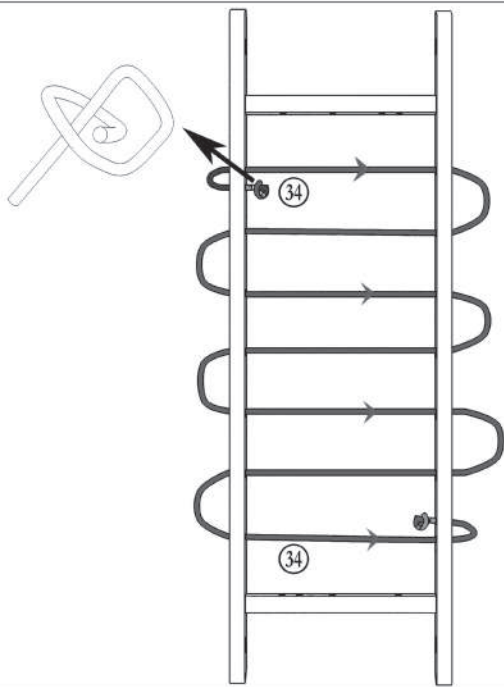




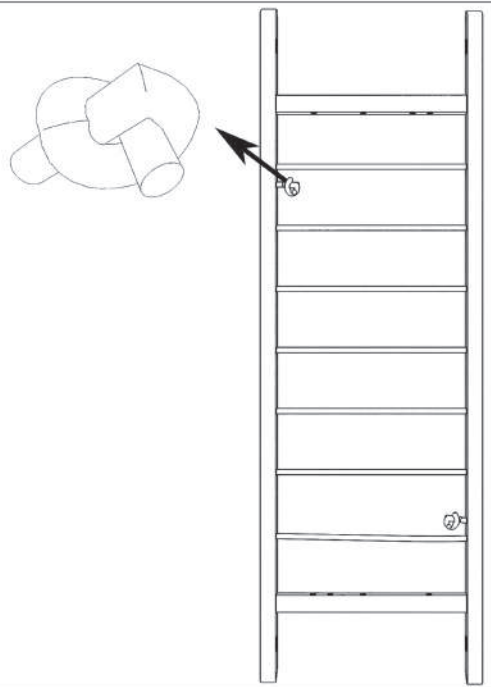
|   |  |   |
|---|--|---|
| D | <br>M6×50 | 4 |
| E | <br>M6×50 | 8 |



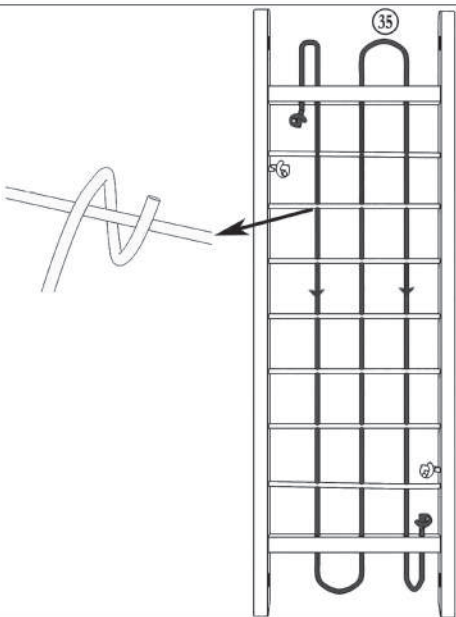
22-1



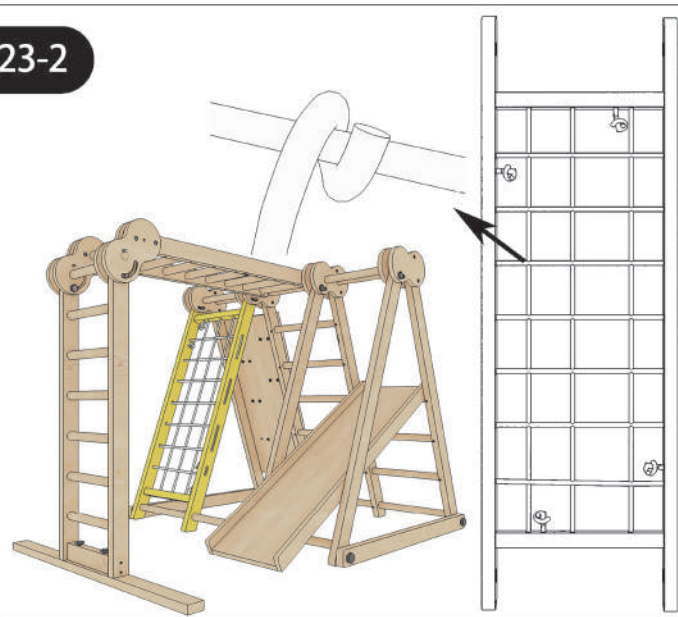
22-2



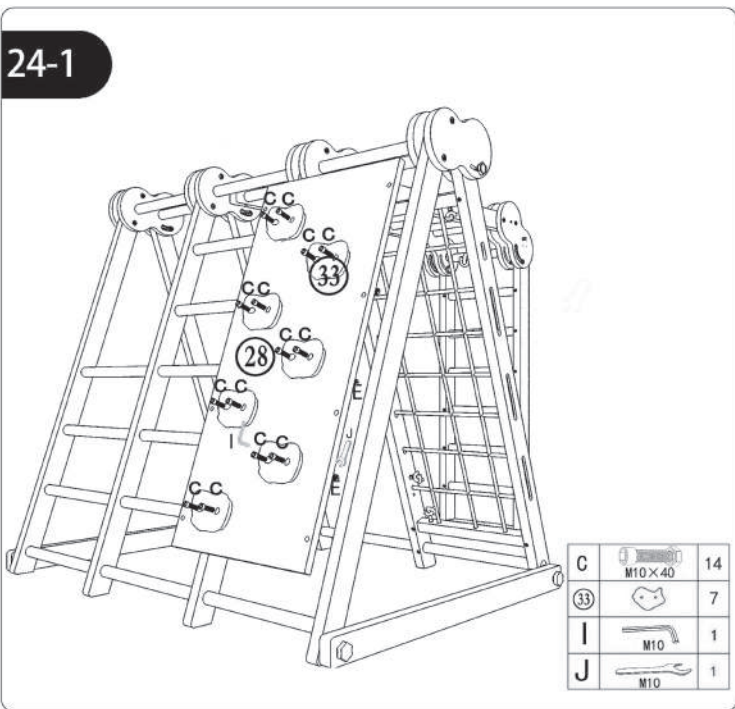
23-1



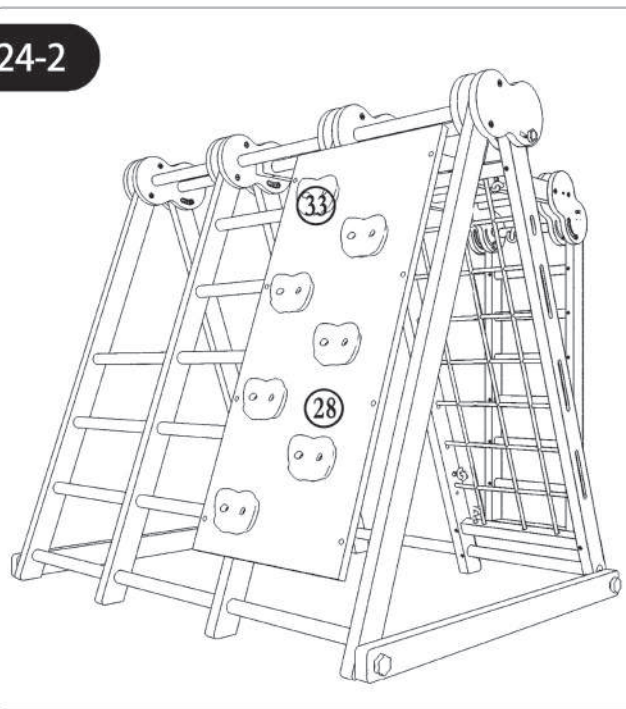
23-2



24-1

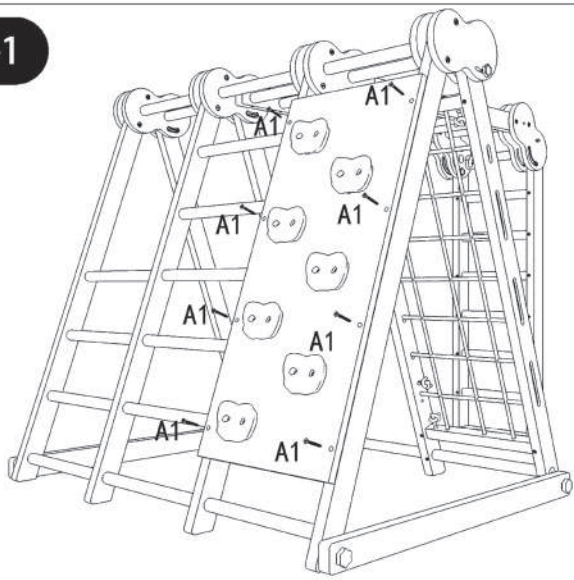


24-2



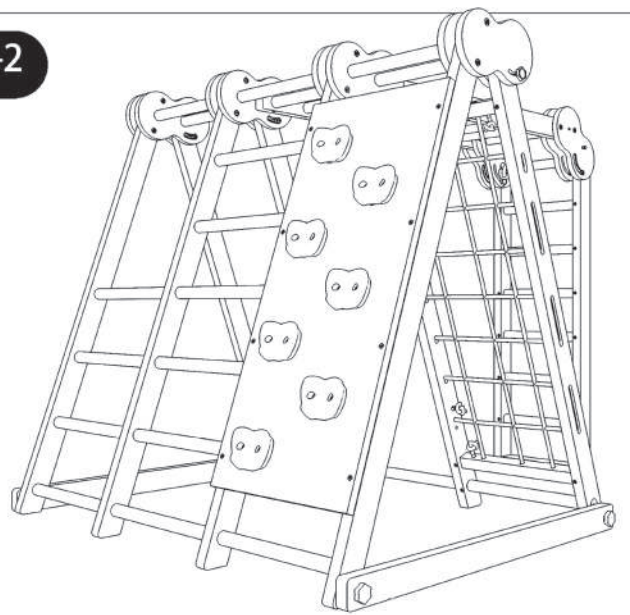


25-1



|    |   |   |
|----|---|---|
| A1 |  | 8 |
|----|---|---|

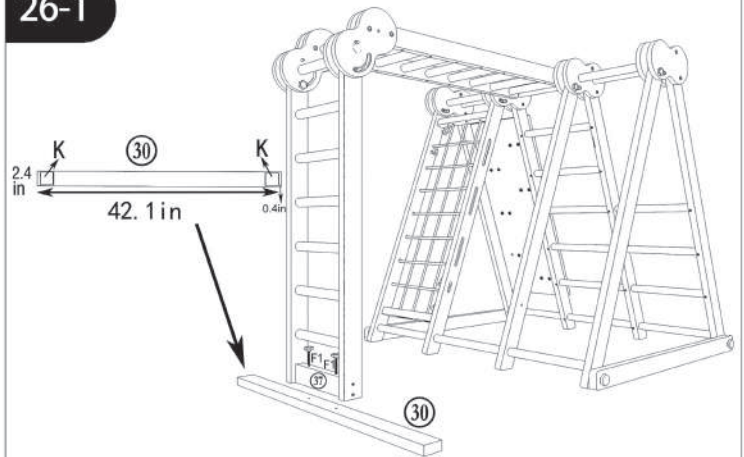
25-2




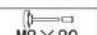
24-25



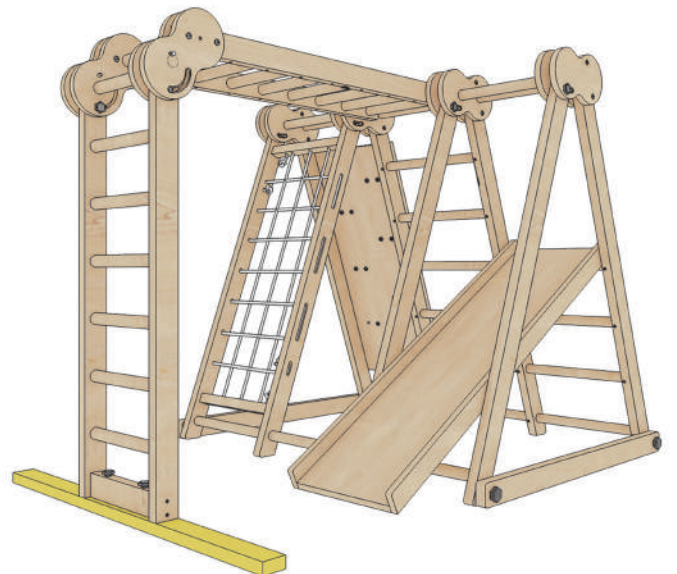
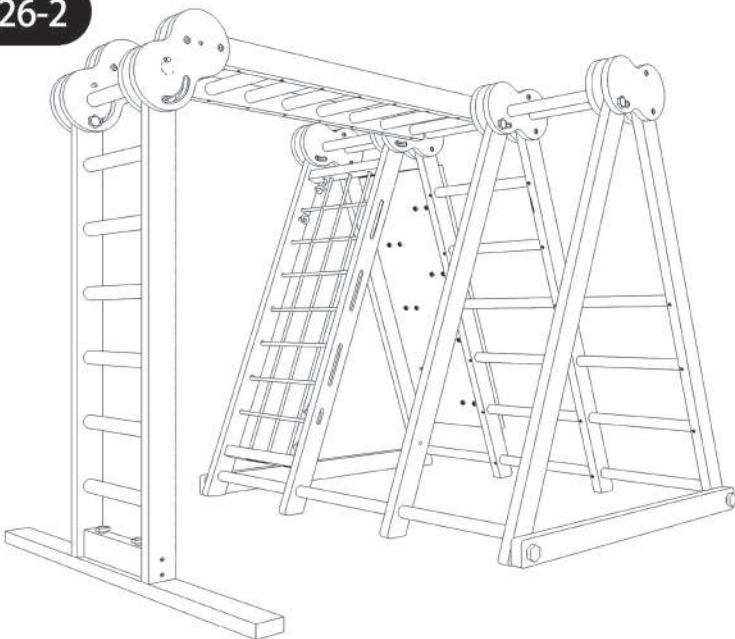
26-1



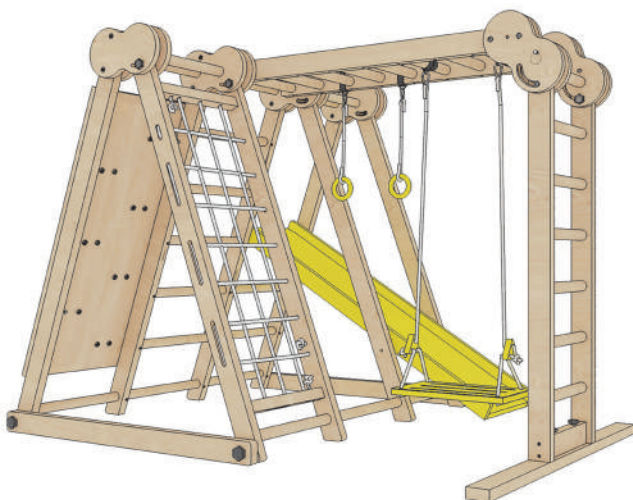
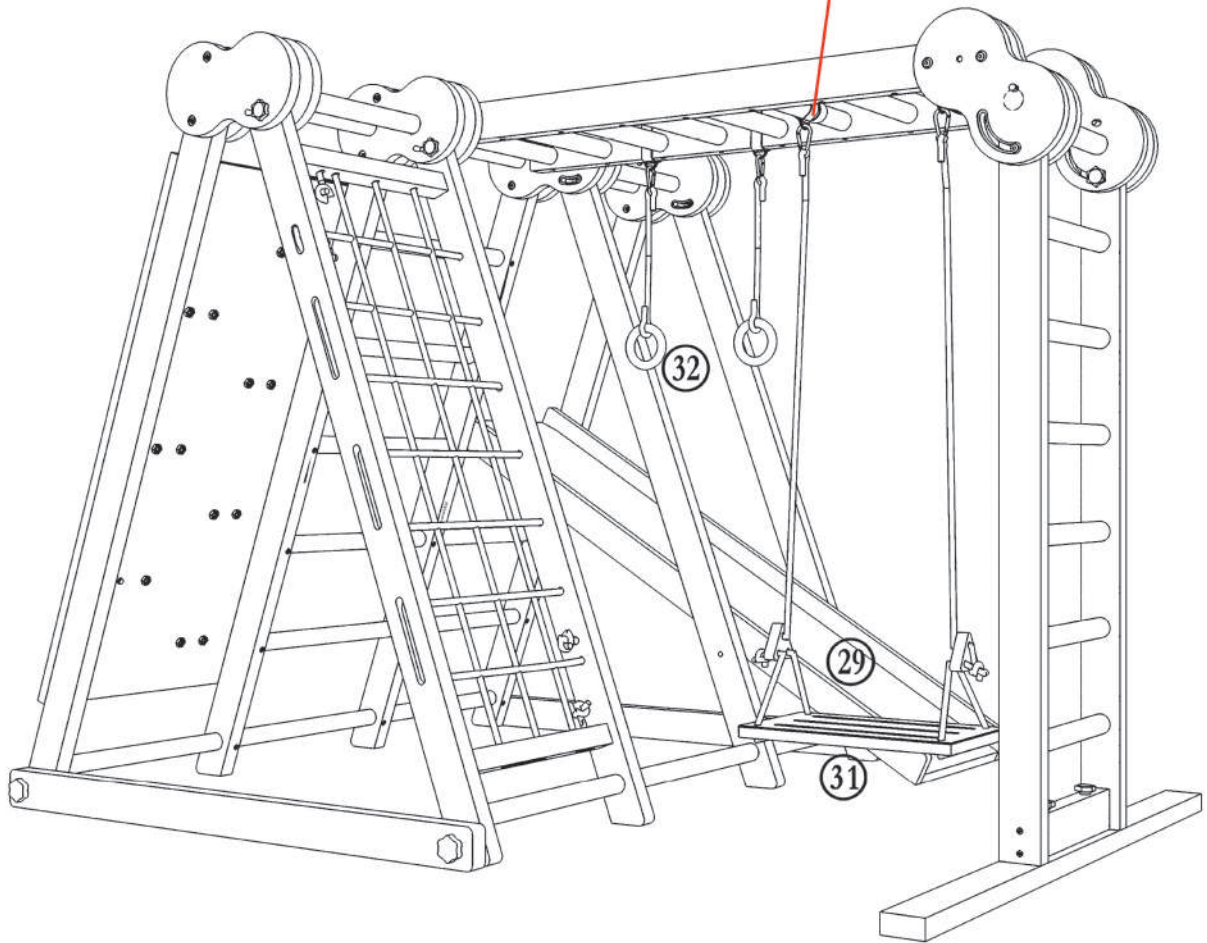
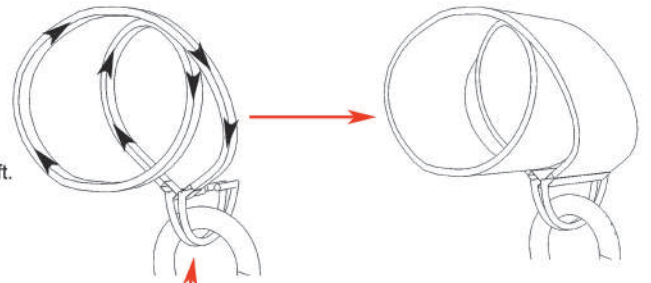
NOTE: First put a non-slip pad (K) on the bottom of part 30 and then install it

|    |   |   |
|----|---|---|
| K  |  | 2 |
| F1 |  | 2 |

26-2



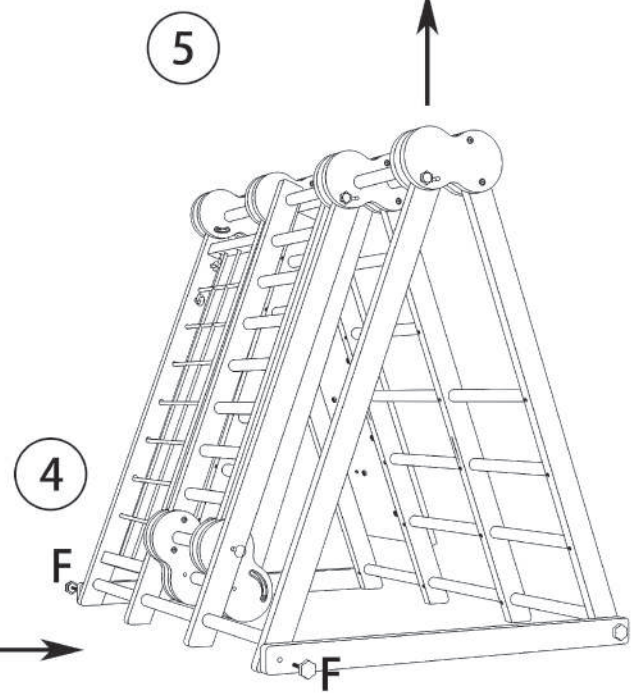
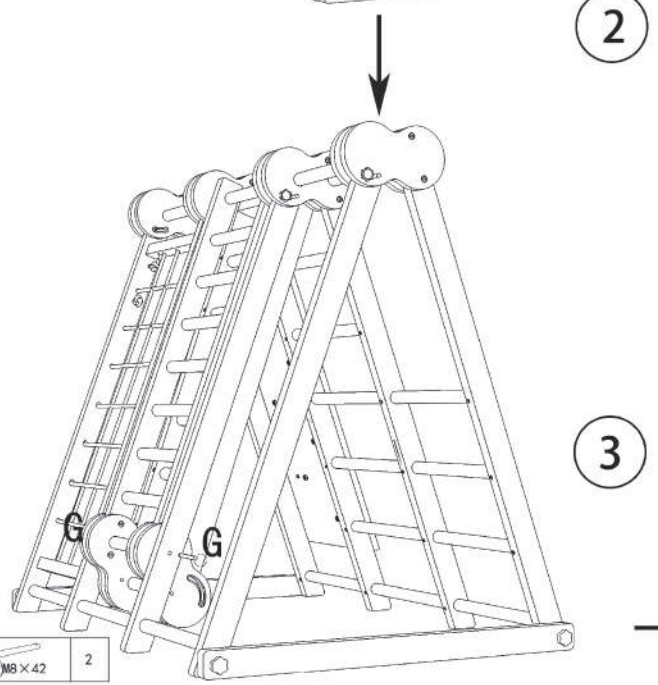
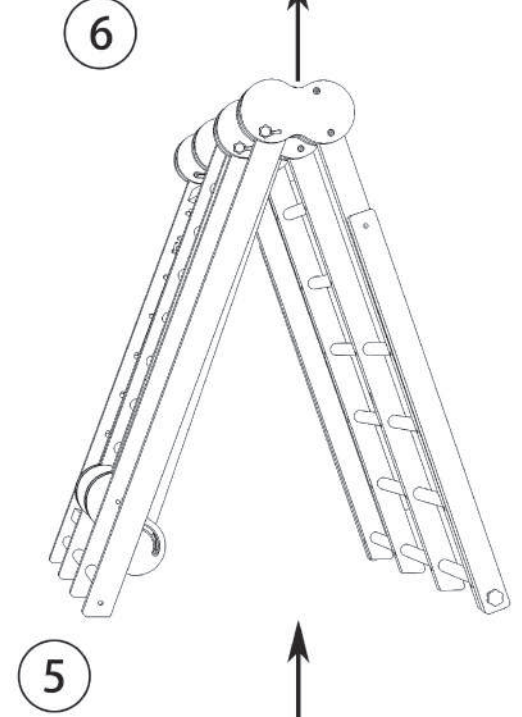
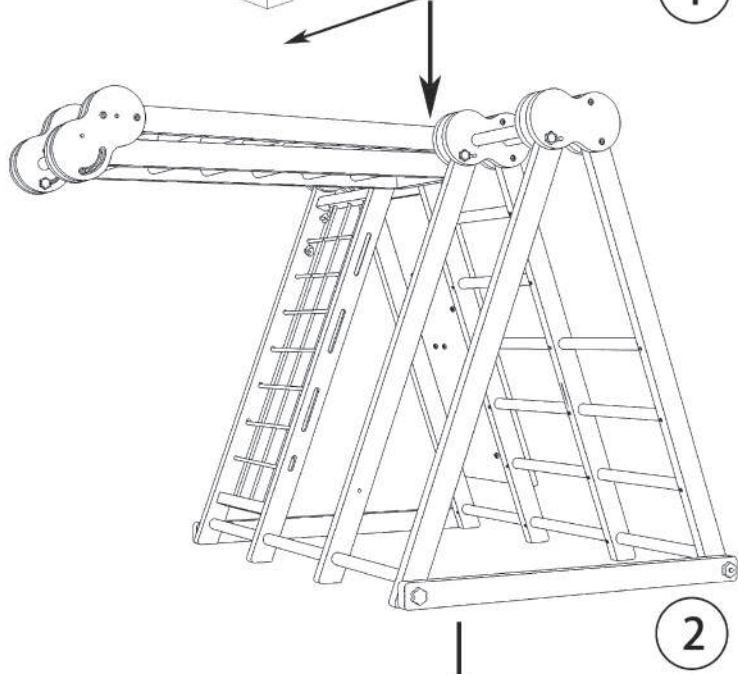
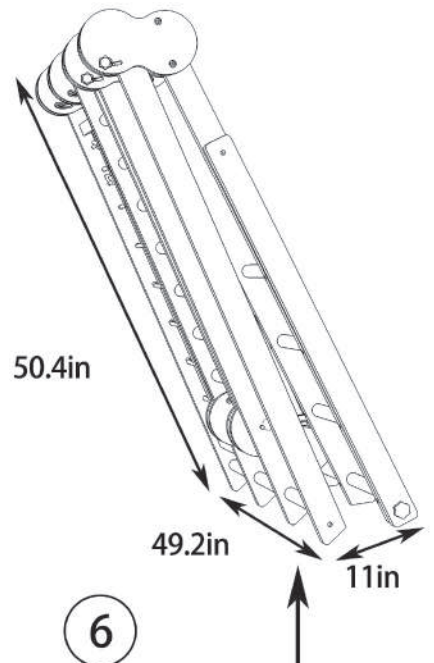
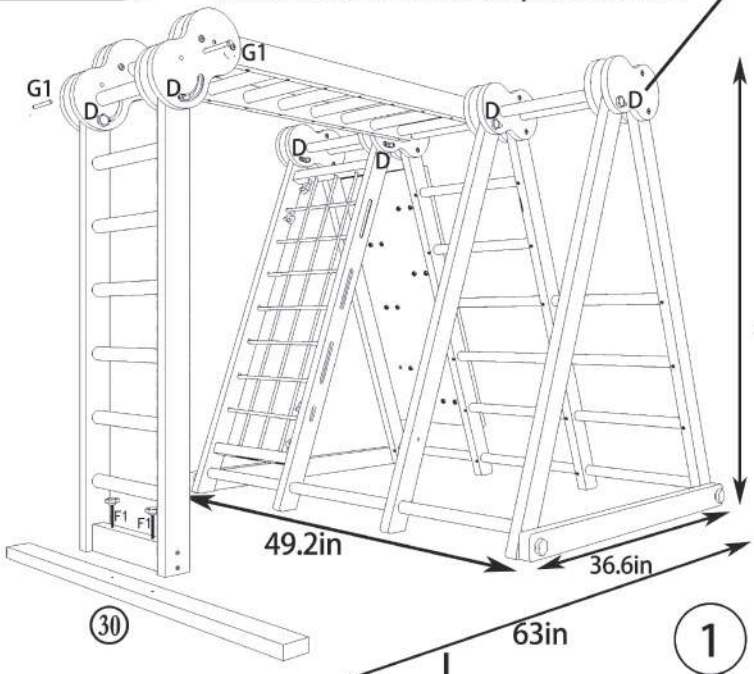
NOTE: The swing (31) is hung from the second and fourth round bars from right to left.  
NOTE 2: The rings (32) are hung on the outside bar. One ring is hung between the fifth and sixth round bars, another one is hung between the seventh and eighth round bars.



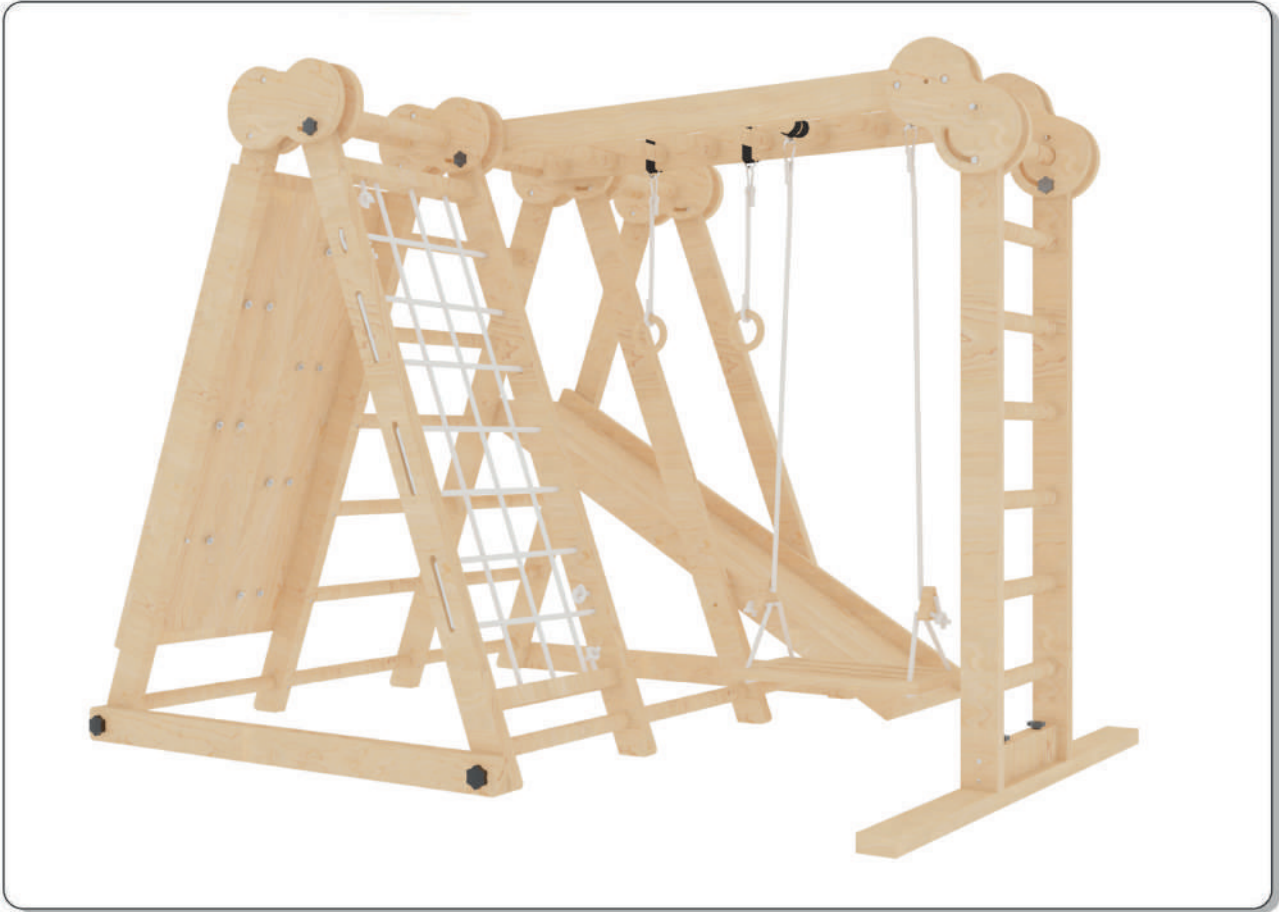


# Folding steps

NOTE: Before folding, turn loose all the hexagonal screws D, get off the pin G1, twist off the screws F1 and take down part 30 (seen figure 1).  
 Folded as shown from step 2 to step 3, insert pin G into the specified in figure 3 to secure the folding part.  
 And then twist off the screws F, fully folded as shown.









**For Video assembly,  
visit [www.avenlur.com/instructions](http://www.avenlur.com/instructions)  
or scan the QR code below**



**FOR ADDITIONAL ASSISTANCE  
PLEASE CALL US AT 888-697-3931  
M-F 9AM-5PM PT (12pm -8PM ET)**

**OR EMAIL US AT**

**[info@Avenlur.com](mailto:info@Avenlur.com)**