

avenlur

Banyan by Avenlur



Need Help?

CALL US AT 888.697.3931 / M-F 9AM - 5PM PT (12PM - 8PM ET)
OR EMAIL US AT INFO@AVENLUR.COM

PLEASE READ THIS BEFORE STARTING ASSEMBLY

PLEASE RETAIN THESE INSTRUCTIONS FOR FUTURE REFERENCE. KEEP THEM IN A SAFE PLACE, WHERE YOU CAN REFER TO THEM AS NEEDED. IN ORDER TO PROVIDE YOU WITH THE MOST EFFICIENT SERVICE, IT IS REQUIRED THAT YOU PROVIDE US WITH THE PART NUMBERS WHEN ORDERING PARTS.

PLEASE HAVE THE FOLLOWING INFORMATION WHEN YOU MAKE YOUR CALL:

1-MODEL NAME OF THE PRODUCT LOCATED ON THE FRONT OF THE ASSEMBLY MANUAL

2-DESCRIPTION OF THE PART FROM THE PARTS LIST

3-CONTACT US AT: AVENLUR- 110 S.NEWMAN ST., HACKENSACK, NJ 07601, 888-697-3931

READ THE ASSEMBLY MANUAL COMPLETELY, PAYING SPECIAL ATTENTION TO THE IMPORTANT TIPS AND SAFETY INFORMATION.

SEPARATE AND IDENTIFY ALL PARTS TO MAKE SURE THAT YOU HAVE ALL OF THE PARTS LISTED. IF YOU CAN'T FIND ALL OF THE PARTS, CHECK THE PACKING MATERIAL. SMALL PARTS MAY HAVE FALLEN OUT OF THE PACKET AND INTO THE MAIN BOX DURING TRANSIT.

PLEASE HAVE AN ELECTRIC SCREWDRIVER AVAILABLE FOR ASSEMBLY.

PLEASE NOTE: THE WOOD IS TREATED WITH ANTI CORROSIVE TREATMENT WHICH MAY RESULT IN VERY SMALL CRACKS OR ROUGH SURFACES IN AREAS. THIS IS VERY NORMAL AND STANDARD. THIS WILL NOT AFFECT THE SAFETY AND STABILITY OF THE WOOD AND THE PLAYSET.

Equipment is recommended for use by **ages 1 and older**.

Please follow all recommendations below. **Failure to do so may result in the warranty being void and/or safety violations that could result in serious injury.** This manual contains helpful information concerning Assembly Preparation, Installation Procedure, and Required Maintenance. Always keep the safety of your children in mind as your play structure is being built and as your children play with the set. Before your children play with the set please review the Operation Instructions with them to help ensure their safety.

WARNING:

Children must NOT use this playcenter until unit has been completely assembled and inspected by an adult to insure set has been properly installed.

WARNING:

This Symbol points out important safety instructions which, if not followed, could endanger the personal safety of yourself and your children and/or damage your property. You **MUST** read and follow all instructions in this manual before attempting to use this playcenter.

WARNING:

CONTINUOUS ADULT SUPERVISION REQUIRED!

WARNING:

STRANGULATION HAZARDS

1. Never allow children to play with ropes, clotheslines, pet leashes, cables, chains or cord-like items when using this playcenter or to attach items to playcenter.
2. Never allow children to wear loose fitting clothing, ponchos, hoods, scarves, capes, necklaces or items with draw-strings, cords or ties when using this playcenter.
3. Failure to prohibit these items increases the risk of serious injury and death to children from entanglement and strangulation.

Positioning Your Playcenter

1. The playcenter is designed to be installed on a level surface by an Adult with an Adult helper. Place in a flat area of your yard to minimize ground preparation.
2. Choose a leveled location for the equipment, this can reduce the likelihood of the play set tipping over and loose-fill surfacing material washing away during heavy rains.
3. Provide enough room so that the children can use the equipment safely.

Maintenance Instructions:

At the beginning of each play season:

1. Tighten all hardware.
2. Lubricate all metallic moving parts per manufacturer's instructions.
3. Check all protective coverings on bolts, pipes, edges and corners. Replace if they are loose, cracked, or missing.
4. Check all wood members for deterioration and splinters. Sand down splinters and replace deteriorating wood members.

Twice a month during play season:

1. Tighten all hardware.
2. Check all protective coverings on bolts, pipes, edges and corners. Replace if they are loose, cracked, or missing.

Once a month during play season:

1. Lubricate all metallic moving parts per manufacturer's instructions.

Last but not least:

Varnish paint by nature will fade when outdoors within 1-2 years due to exposure to sunlight and the elements. You may purchase outdoor varnish paint and apply a new coating every few years to keep the varnish color fresh.

Additional Maintenance:

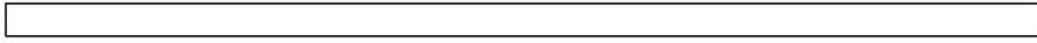
1. Check hardware every two weeks due to wood expansion and contraction. It is particularly important that this procedure be followed at the beginning of each season.
2. Inspect wood parts monthly. The grain of the wood sometimes will lift in the dry season causing splinters to appear. Light sand may be necessary to maintain a safe playing environment. Treat your playcenter with stain regularly, to help prevent severe checking/splitting and other weather damage.
3. A waterborne transparent stain has been applied to your playcenter. This is done for color only. Once or twice a year, depending on your climate conditions, you must apply some type of protection (sealant) to the wood of your unit. Prior to the application of sealant, lightly sand any "rough" spots on your playcenter. Please note this is a requirement of your warranty.

Disposal Instructions:

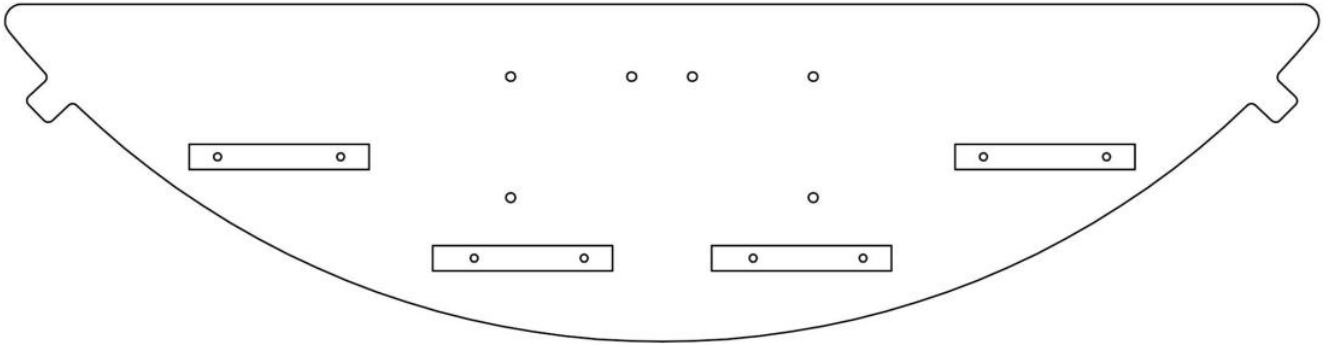
When the Playcenter use is no longer desired, it should be disassembled and disposed of in such a way that no unreasonable hazards will exist at the time the unit is discarded.



① x4 14.31in



② x2 35.8in



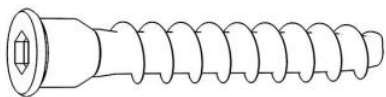
③ x2 46in



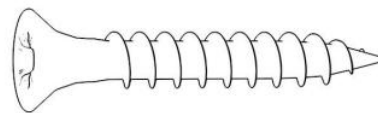
④ x4 37.63in



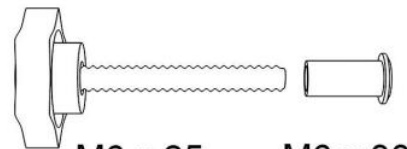
④ x9 38.58in



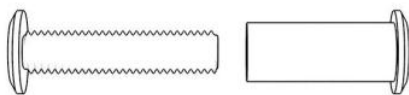
M6.3 x 40
① x 4



M5 x 50
② x 52



M6 x 25 M6 x 30
③ x 4



M6 x 25 M6 x 30

④ x 4

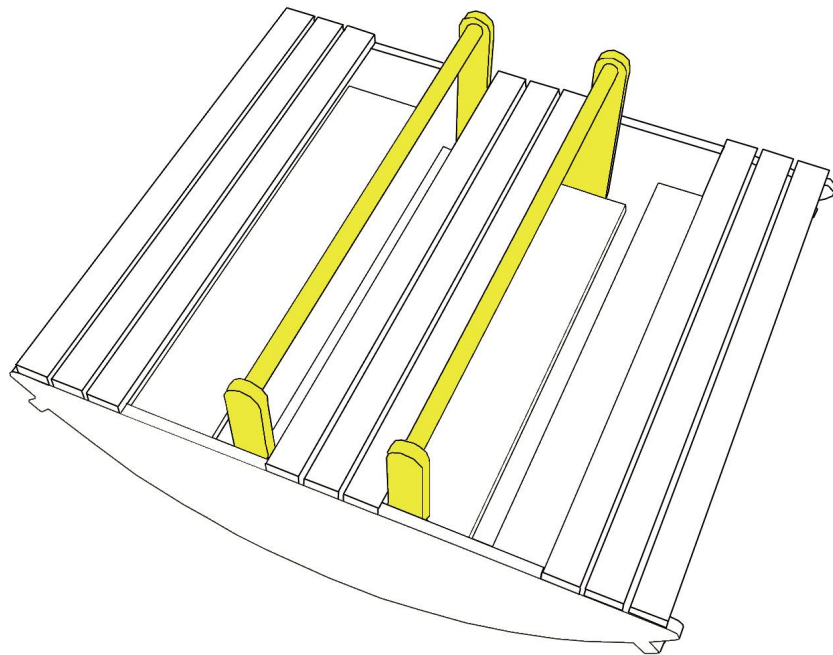
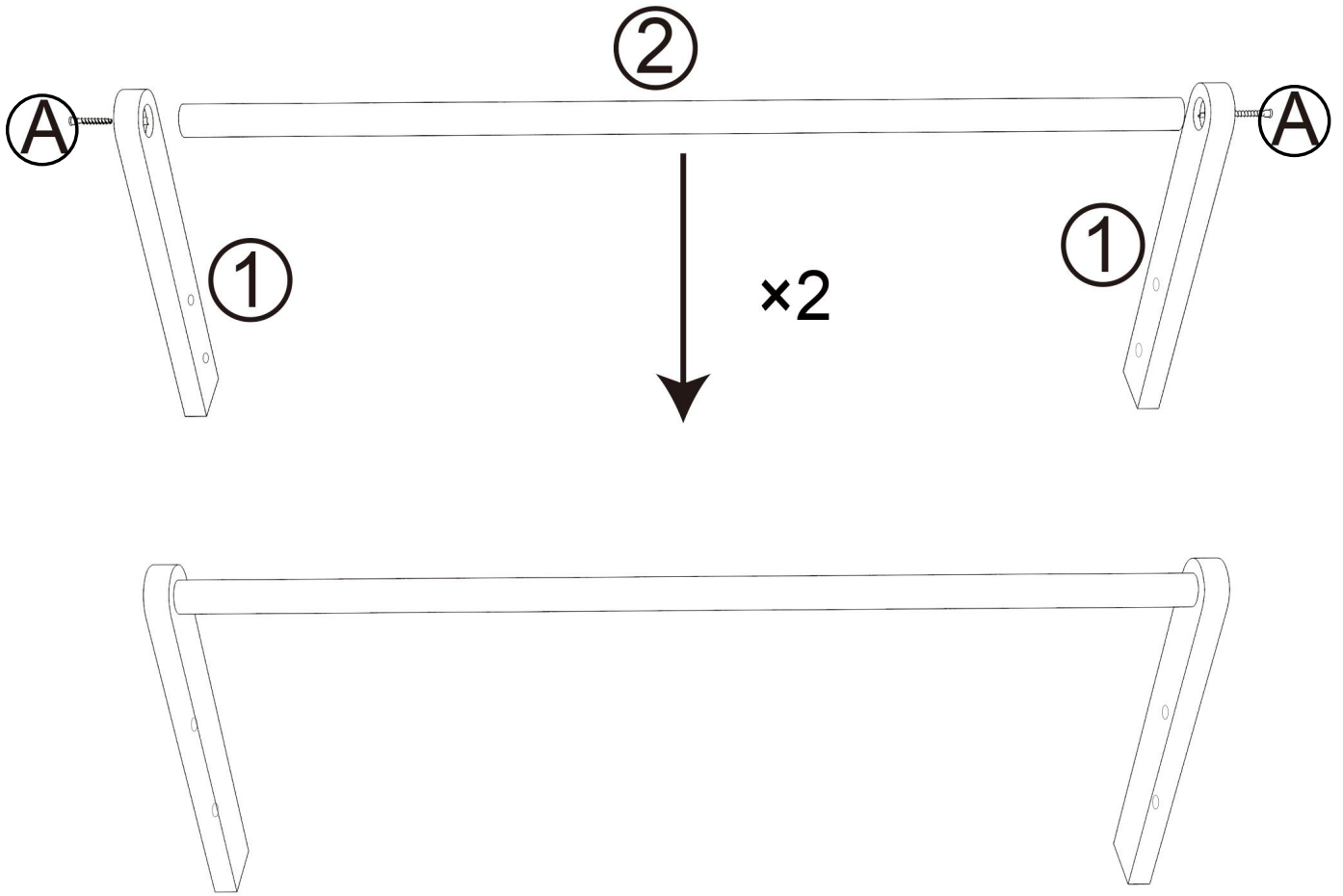



M4

⑤ x 2

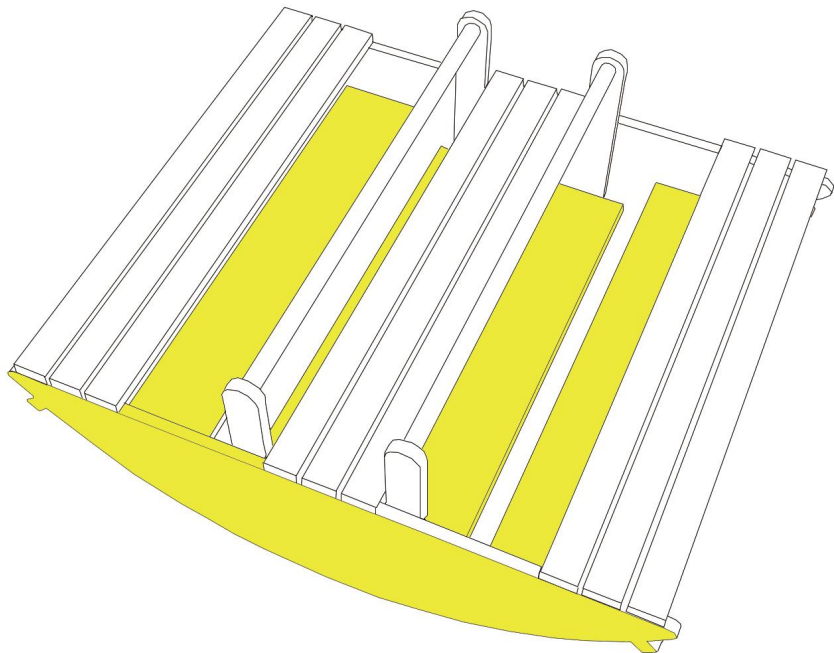
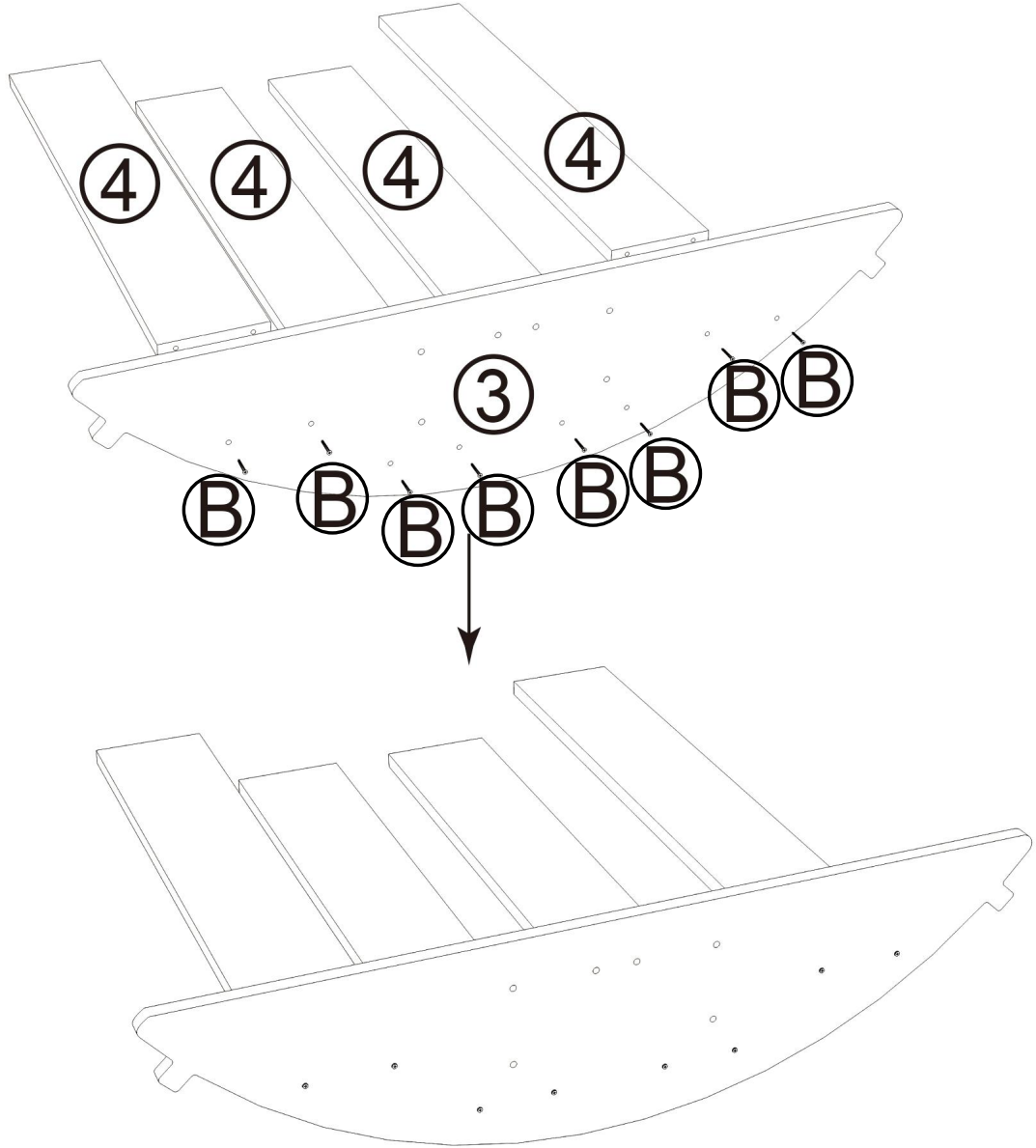
A1-1


Note: Check all connections and bolts for tightness at least twice monthly during use. Do not use if screws are loose.



②	1	
①	2	
Ⓐ	 M6.3×40	4

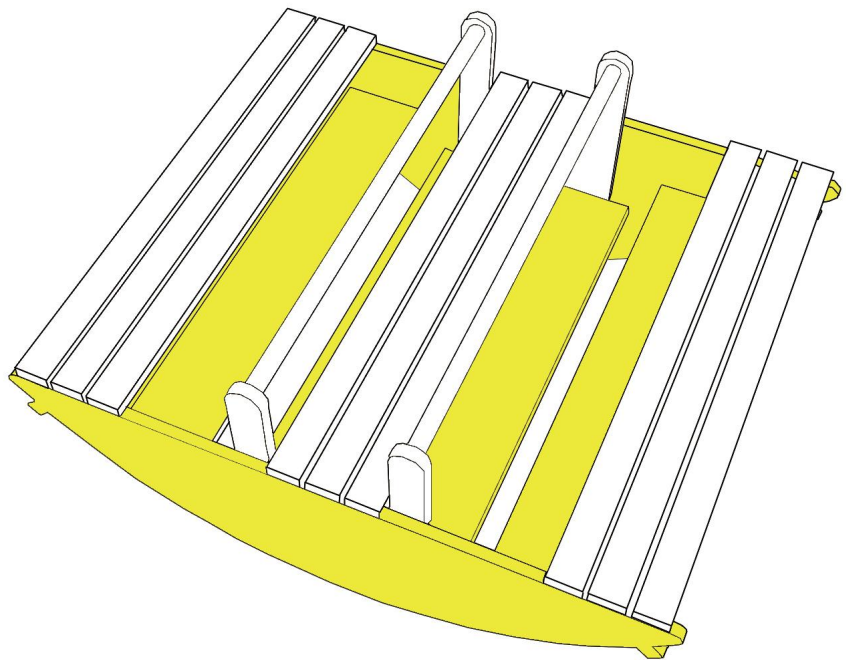
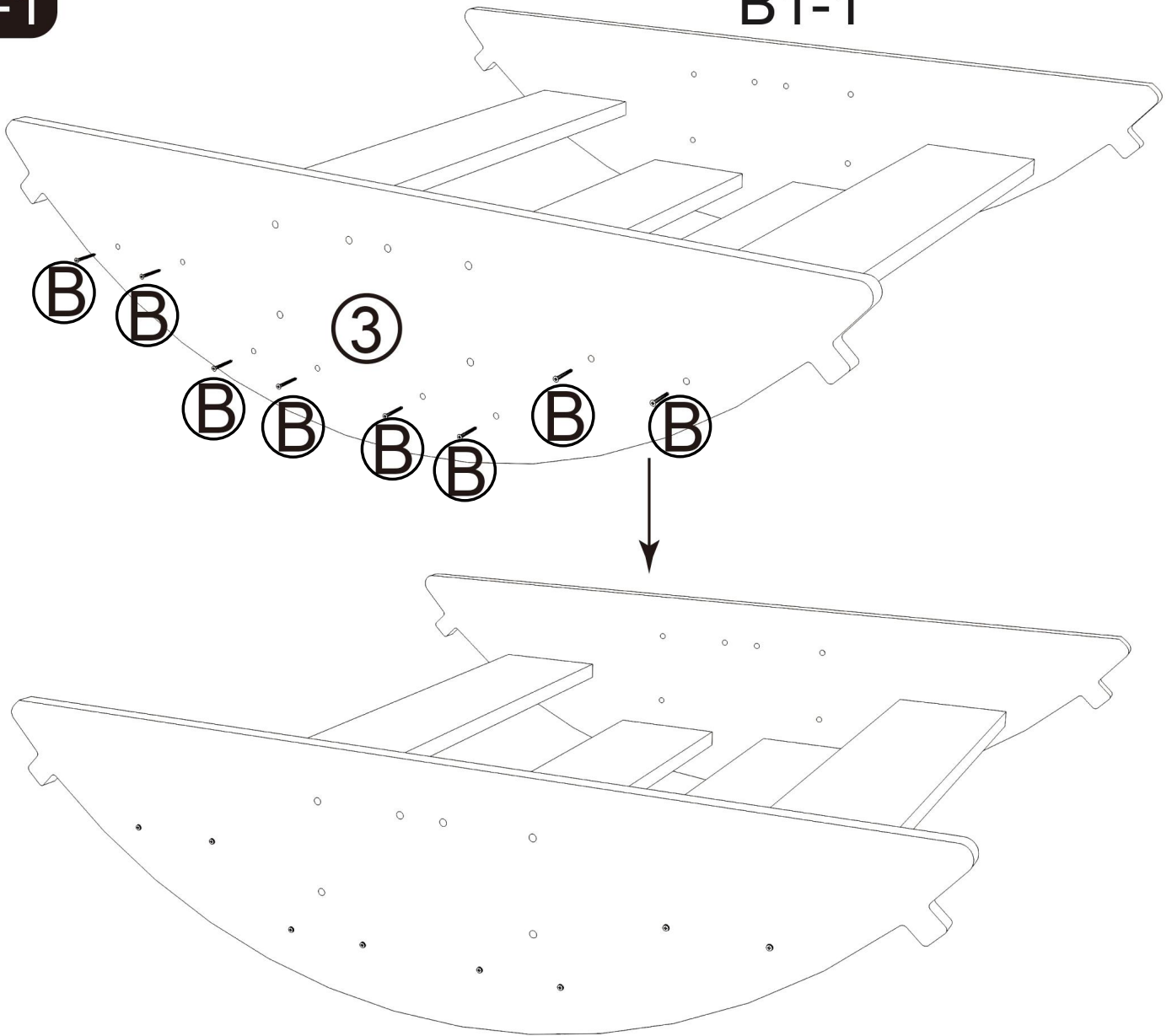
B1-1




④	4		
③	1		
Ⓑ		M5×50	8

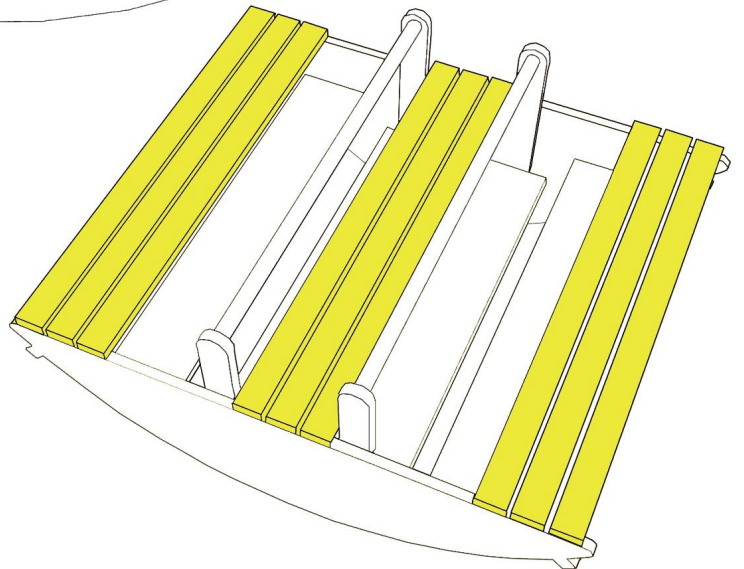
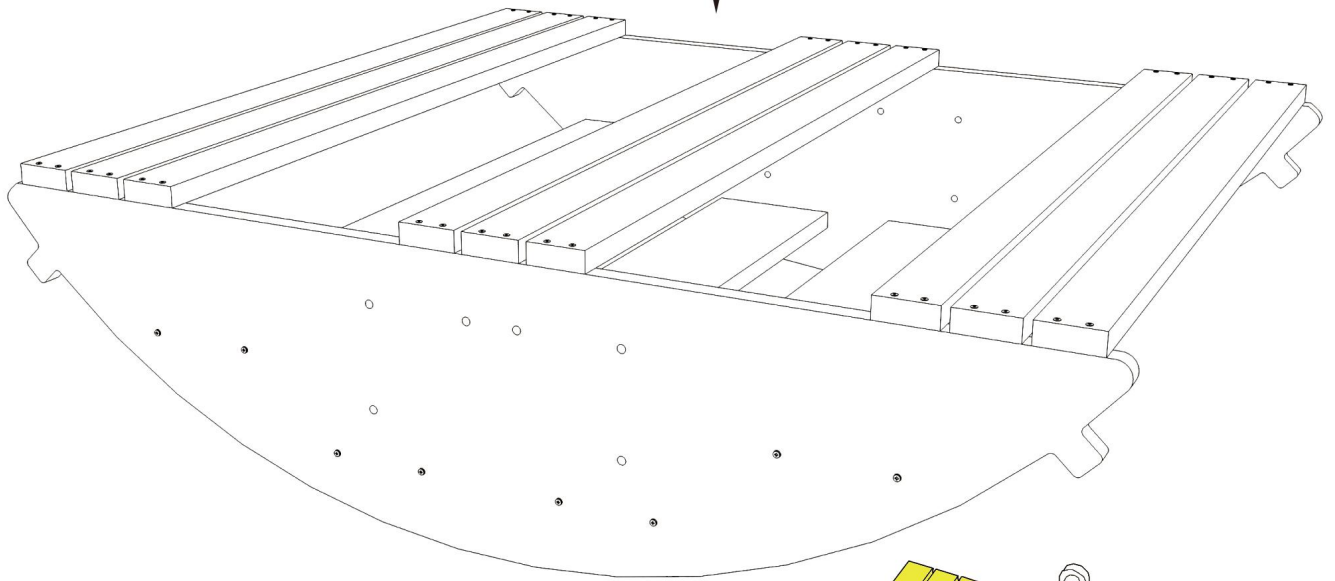
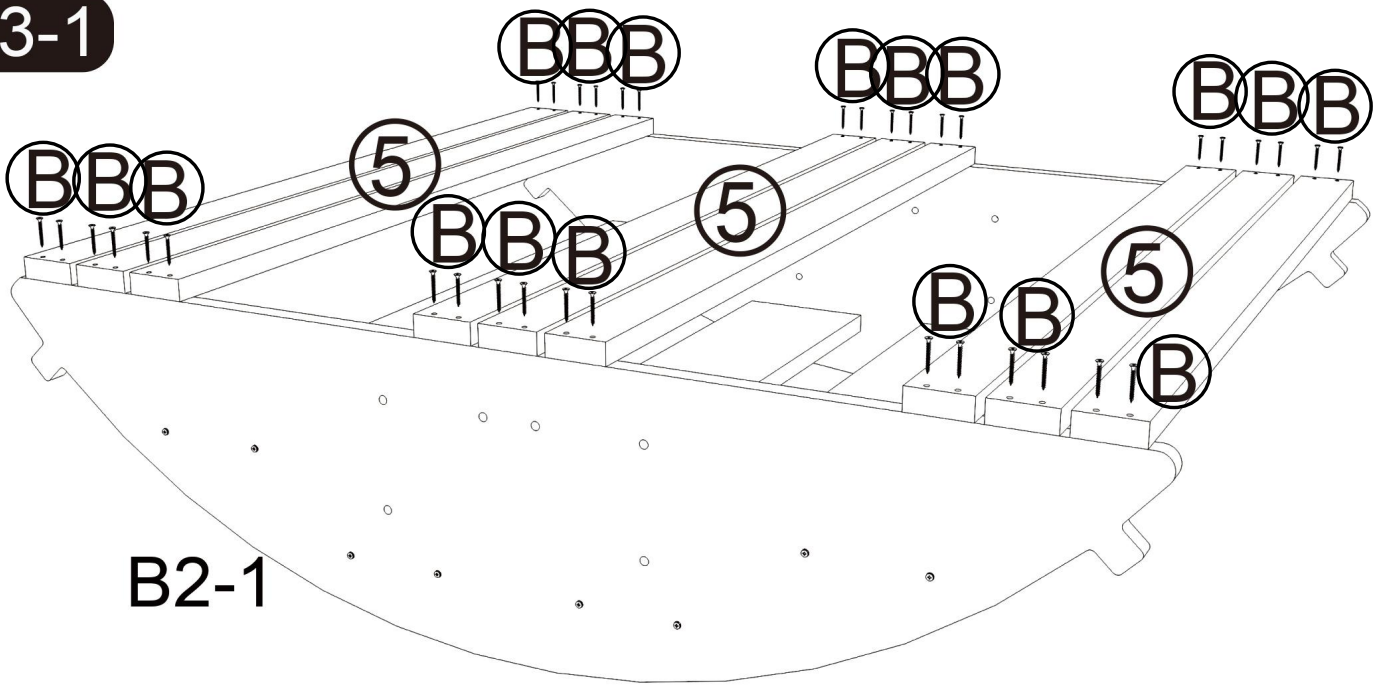
B2-1

B1-1




③	1		
Ⓑ		M5×50	8

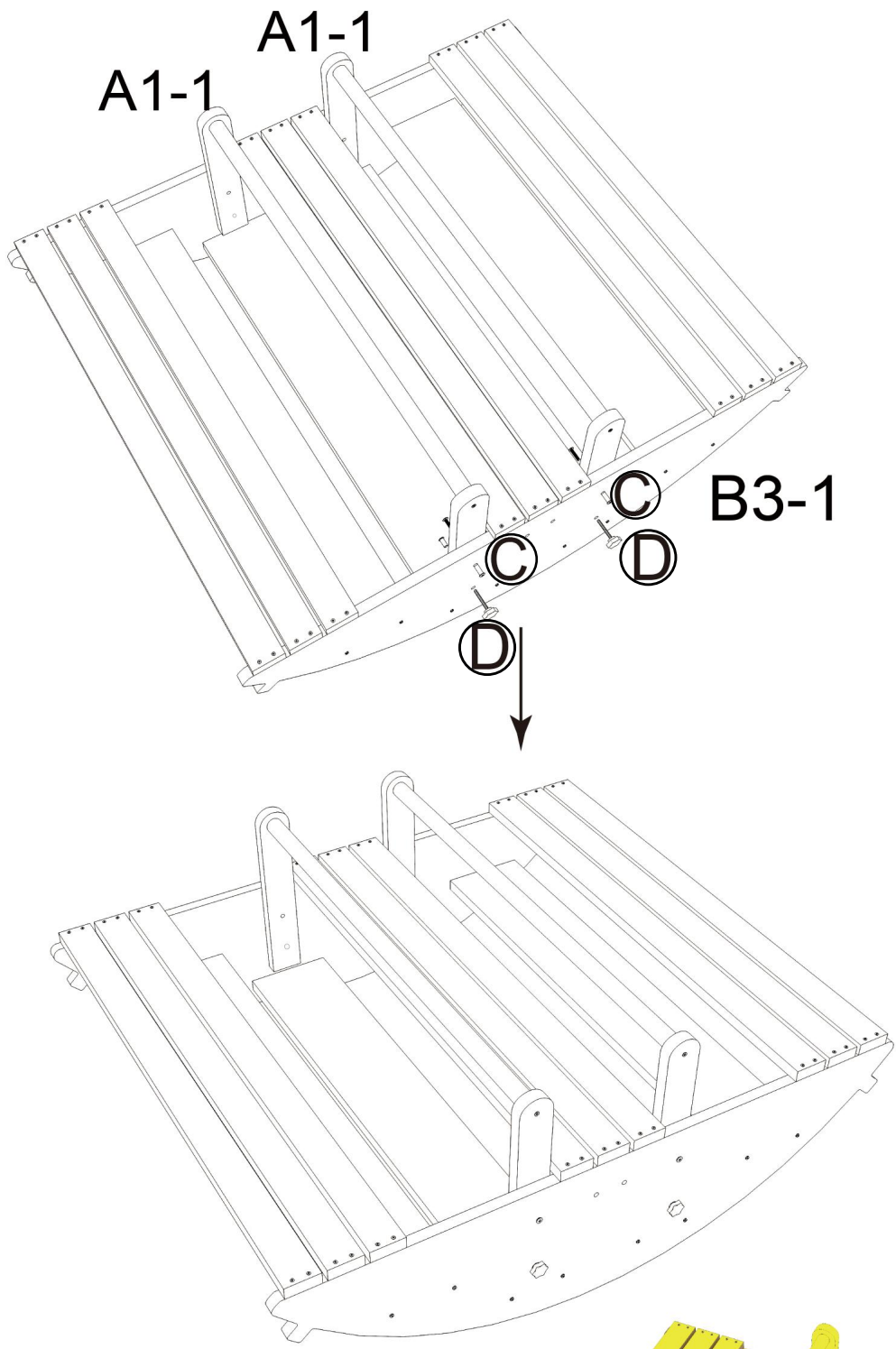
B3-1

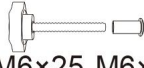
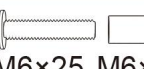


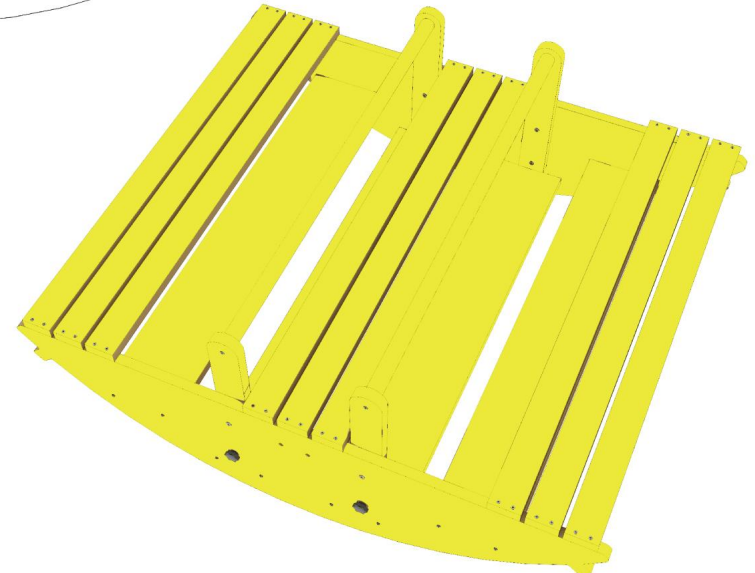
⑤ 9

Ⓑ  M5×50 36

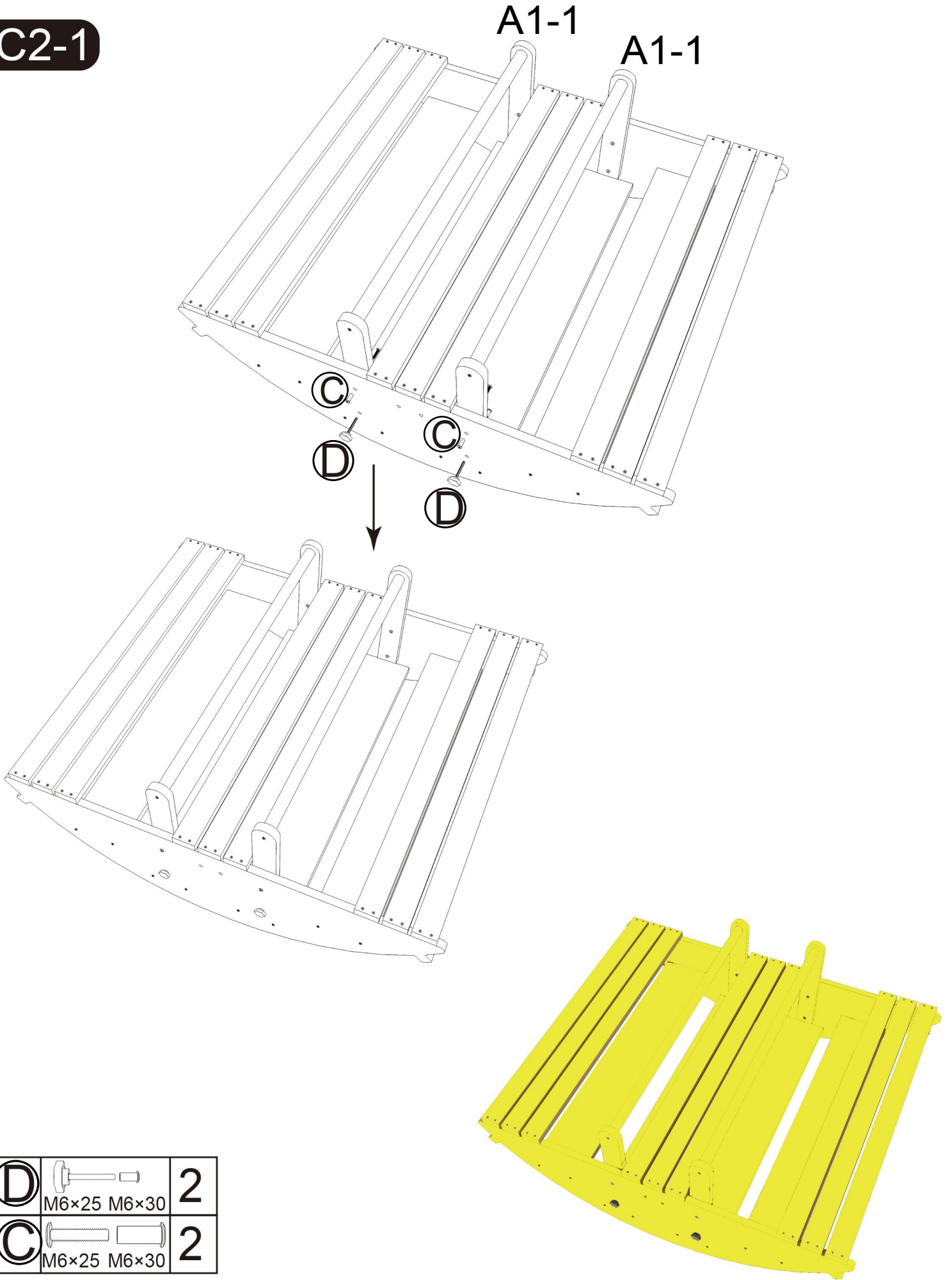
C1-1



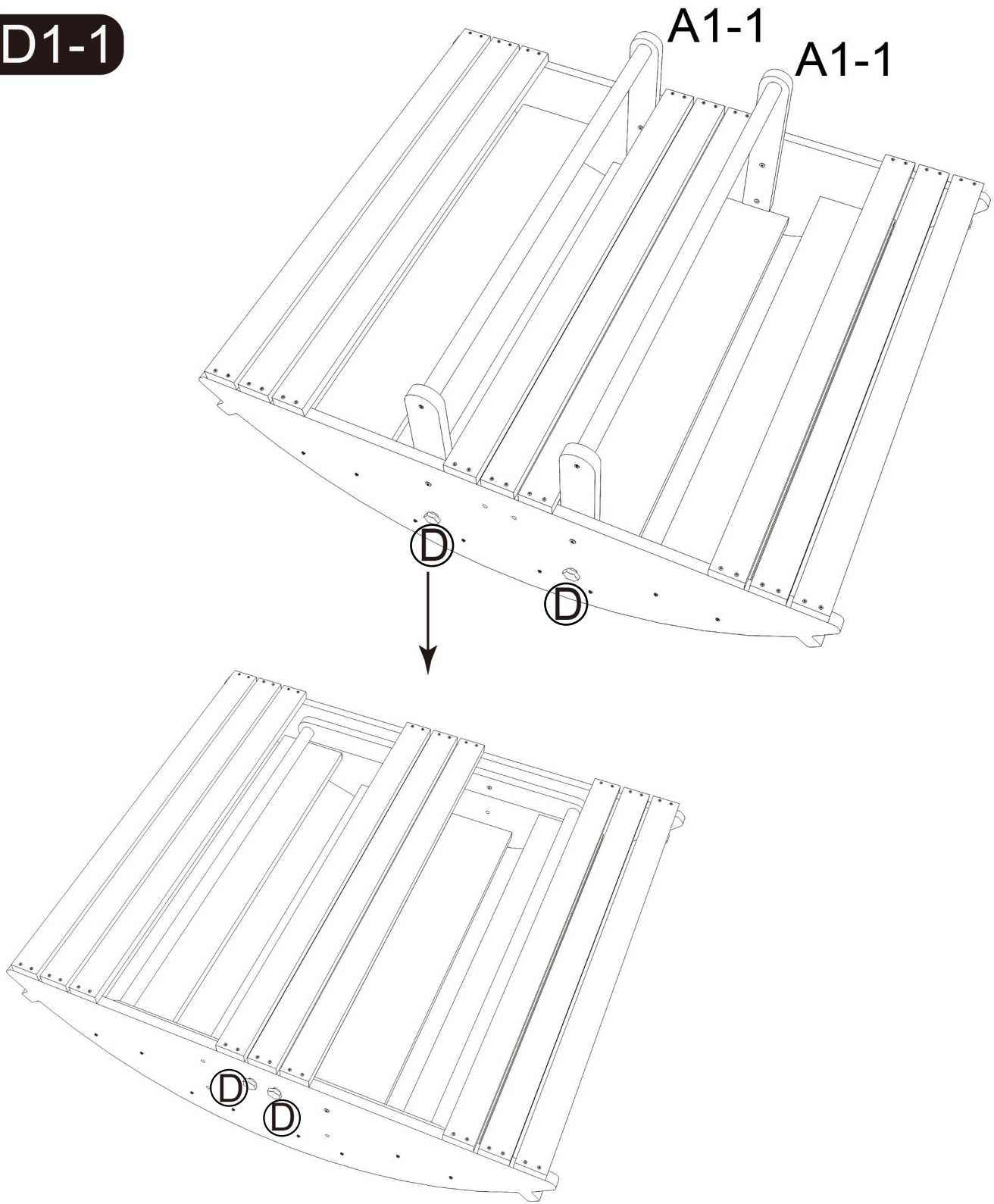
D	 M6×25 M6×30	2
C	 M6×25 M6×30	2



C2-1



D1-1



Note: ScrewⒹout first, turn A1-1 as shown, and tighten screwⒹ

